



PIC16F7X
Data Sheet

28/40-pin, 8-bit CMOS FLASH
Microcontrollers

Note the following details of the code protection feature on PICmicro® MCUs.

- The PICmicro family meets the specifications contained in the Microchip Data Sheet.
- Microchip believes that its family of PICmicro microcontrollers is one of the most secure products of its kind on the market today, when used in the intended manner and under normal conditions.
- There are dishonest and possibly illegal methods used to breach the code protection feature. All of these methods, to our knowledge, require using the PICmicro microcontroller in a manner outside the operating specifications contained in the data sheet. The person doing so may be engaged in theft of intellectual property.
- Microchip is willing to work with the customer who is concerned about the integrity of their code.
- Neither Microchip nor any other semiconductor manufacturer can guarantee the security of their code. Code protection does not mean that we are guaranteeing the product as “unbreakable”.
- Code protection is constantly evolving. We at Microchip are committed to continuously improving the code protection features of our product.

If you have any further questions about this matter, please contact the local sales office nearest to you.

Information contained in this publication regarding device applications and the like is intended through suggestion only and may be superseded by updates. It is your responsibility to ensure that your application meets with your specifications. No representation or warranty is given and no liability is assumed by Microchip Technology Incorporated with respect to the accuracy or use of such information, or infringement of patents or other intellectual property rights arising from such use or otherwise. Use of Microchip's products as critical components in life support systems is not authorized except with express written approval by Microchip. No licenses are conveyed, implicitly or otherwise, under any intellectual property rights.

Trademarks


The Microchip name and logo, the Microchip logo, FilterLab, KEELOQ, MPLAB, PIC, PICmicro, PICMASTER, PICSTART, PRO MATE, SEEVAL and The Embedded Control Solutions Company are registered trademarks of Microchip Technology Incorporated in the U.S.A. and other countries.

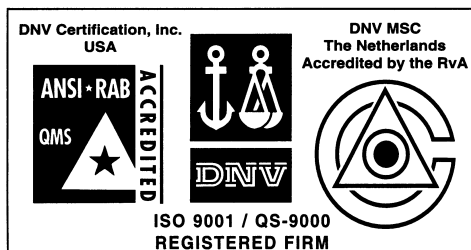
dsPIC, ECONOMONITOR, FanSense, FlexROM, fuzzyLAB, In-Circuit Serial Programming, ICSP, ICEPIC, microID, microPort, Migratable Memory, MPASM, MPLIB, MPLINK, MPSIM, MXDEV, PICC, PICDEM, PICDEM.net, rPIC, Select Mode and Total Endurance are trademarks of Microchip Technology Incorporated in the U.S.A.

Serialized Quick Term Programming (SQTP) is a service mark of Microchip Technology Incorporated in the U.S.A.

All other trademarks mentioned herein are property of their respective companies.

© 2002, Microchip Technology Incorporated, Printed in the U.S.A., All Rights Reserved.

 Printed on recycled paper.



Microchip received QS-9000 quality system certification for its worldwide headquarters, design and wafer fabrication facilities in Chandler and Tempe, Arizona in July 1999. The Company's quality system processes and procedures are QS-9000 compliant for its PICmicro® 8-bit MCUs, KEELOQ® code hopping devices, Serial EEPROMs and microperipheral products. In addition, Microchip's quality system for the design and manufacture of development systems is ISO 9001 certified.

28/40-Pin 8-Bit CMOS FLASH Microcontrollers

Devices Included in this Data Sheet:

- PIC16F73
- PIC16F74
- PIC16F76
- PIC16F77

High Performance RISC CPU:

- High performance RISC CPU
- Only 35 single word instructions to learn
- All single cycle instructions except for program branches which are two-cycle
- Operating speed: DC - 20 MHz clock input
DC - 200 ns instruction cycle
- Up to 8K x 14 words of FLASH Program Memory, Up to 368 x 8 bytes of Data Memory (RAM)
- Pinout compatible to the PIC16C73B/74B/76/77
- Pinout compatible to the PIC16F873/874/876/877
- Interrupt capability (up to 12 sources)
- Eight level deep hardware stack
- Direct, Indirect and Relative Addressing modes
- Processor read access to program memory

Special Microcontroller Features:

- Power-on Reset (POR)
- Power-up Timer (PWRT) and Oscillator Start-up Timer (OST)
- Watchdog Timer (WDT) with its own on-chip RC oscillator for reliable operation
- Programmable code protection
- Power saving SLEEP mode
- Selectable oscillator options
- In-Circuit Serial Programming™ (ICSP™) via two pins

Peripheral Features:

- Timer0: 8-bit timer/counter with 8-bit prescaler
- Timer1: 16-bit timer/counter with prescaler, can be incremented during SLEEP via external crystal/clock
- Timer2: 8-bit timer/counter with 8-bit period register, prescaler and postscaler
- Two Capture, Compare, PWM modules
 - Capture is 16-bit, max. resolution is 12.5 ns
 - Compare is 16-bit, max. resolution is 200 ns
 - PWM max. resolution is 10-bit
- 8-bit, up to 8-channel Analog-to-Digital converter
- Synchronous Serial Port (SSP) with SPI™ (Master mode) and I²C™ (Slave)
- Universal Synchronous Asynchronous Receiver Transmitter (USART/SCI)
- Parallel Slave Port (PSP), 8-bits wide with external \overline{RD} , \overline{WR} and \overline{CS} controls (40/44-pin only)
- Brown-out detection circuitry for Brown-out Reset (BOR)

CMOS Technology:

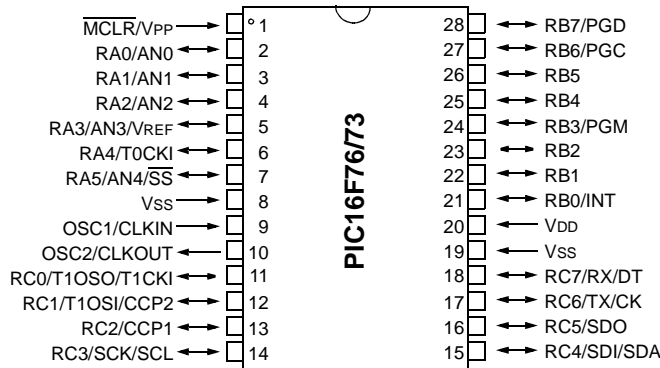
- Low power, high speed CMOS FLASH technology
- Fully static design
- Wide operating voltage range: 2.0V to 5.5V
- High Sink/Source Current: 25 mA
- Industrial temperature range
- Low power consumption:
 - < 2 mA typical @ 5V, 4 MHz
 - 20 μ A typical @ 3V, 32 kHz
 - < 1 μ A typical standby current

| Device | Program Memory (# Single Word Instructions) | Data SRAM (Bytes) | I/O | Interrupts | 8-bit A/D (ch) | CCP (PWM) | SSP | | USART | Timers 8/16-bit |
|----------|---|-------------------------|-----|------------|-------------------|--------------|-----------------|-----------------------------|-------|--------------------|
| | | | | | | | SPI (Master) | I ² C (Slave) | | |
| PIC16F73 | 4096 | 192 | 22 | 11 | 5 | 2 | Yes | Yes | Yes | 2 / 1 |
| PIC16F74 | 4096 | 192 | 33 | 12 | 8 | 2 | Yes | Yes | Yes | 2 / 1 |
| PIC16F76 | 8192 | 368 | 22 | 11 | 5 | 2 | Yes | Yes | Yes | 2 / 1 |
| PIC16F77 | 8192 | 368 | 33 | 12 | 8 | 2 | Yes | Yes | Yes | 2 / 1 |

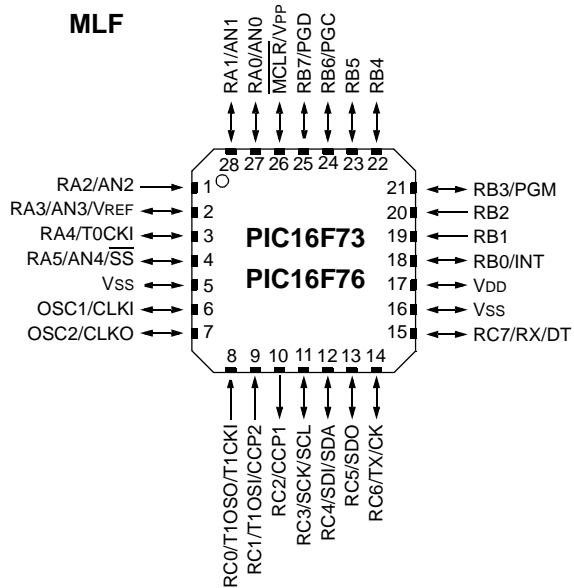
PIC16F7X

Pin Diagrams

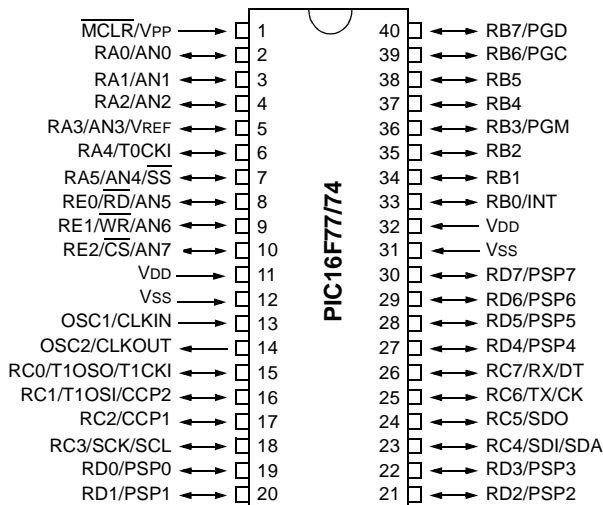
DIP, SOIC, SSOP



MLF

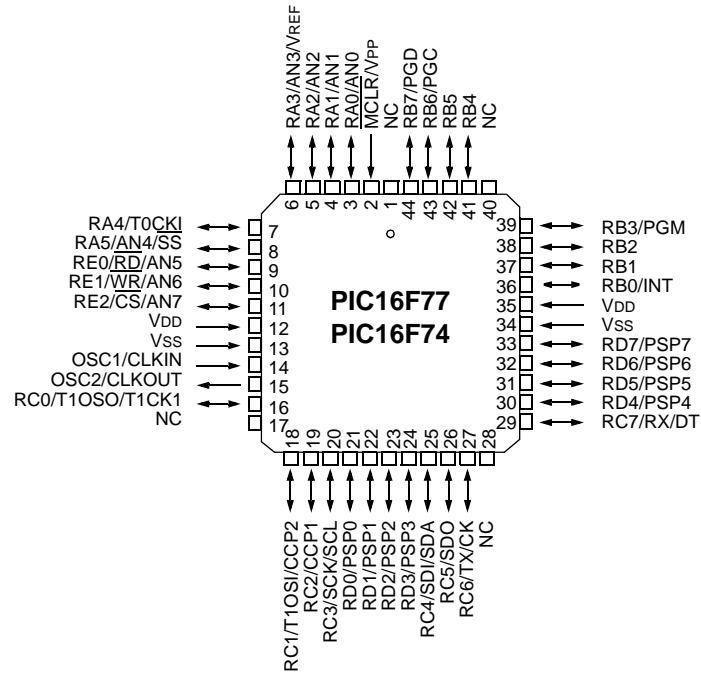


PDIP

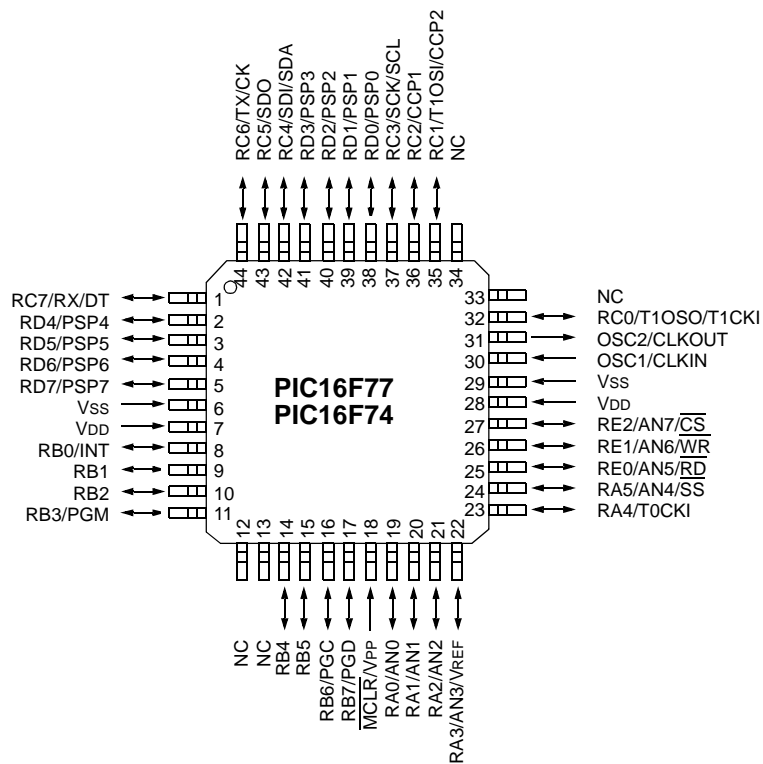


Pin Diagrams (Continued)

PLCC



QFP



PIC16F7X

Table of Contents

| | | |
|--|---|-----|
| 1.0 | Device Overview | 5 |
| 2.0 | Memory Organization..... | 13 |
| 3.0 | Reading Program Memory..... | 29 |
| 4.0 | I/O Ports..... | 31 |
| 5.0 | Timer0 Module..... | 43 |
| 6.0 | Timer1 Module..... | 47 |
| 7.0 | Timer2 Module..... | 51 |
| 8.0 | Capture/Compare/PWM Modules..... | 53 |
| 9.0 | Synchronous Serial Port (SSP) Module..... | 59 |
| 10.0 | Universal Synchronous Asynchronous Receiver Transmitter (USART) | 69 |
| 11.0 | Analog-to-Digital Converter (A/D) Module | 83 |
| 12.0 | Special Features of the CPU | 89 |
| 13.0 | Instruction Set Summary..... | 105 |
| 14.0 | Development Support | 113 |
| 15.0 | Electrical Characteristics..... | 119 |
| 16.0 | DC and AC Characteristics Graphs and Tables | 141 |
| 17.0 | Packaging Information | 151 |
| Appendix A: | Revision History | 161 |
| Appendix B: | Device Differences | 161 |
| Appendix C: | Conversion Considerations | 162 |
| Index | | 163 |
| On-Line Support..... | | 169 |
| Reader Response | | 170 |
| PIC16F7X Product Identification System | | 171 |

TO OUR VALUED CUSTOMERS

It is our intention to provide our valued customers with the best documentation possible to ensure successful use of your Microchip products. To this end, we will continue to improve our publications to better suit your needs. Our publications will be refined and enhanced as new volumes and updates are introduced.

If you have any questions or comments regarding this publication, please contact the Marketing Communications Department via E-mail at docerrors@mail.microchip.com or fax the **Reader Response Form** in the back of this data sheet to (480) 792-4150. We welcome your feedback.

Most Current Data Sheet

To obtain the most up-to-date version of this data sheet, please register at our Worldwide Web site at:

<http://www.microchip.com>

You can determine the version of a data sheet by examining its literature number found on the bottom outside corner of any page. The last character of the literature number is the version number, (e.g., DS30000A is version A of document DS30000).

Errata

An errata sheet, describing minor operational differences from the data sheet and recommended workarounds, may exist for current devices. As device/documentation issues become known to us, we will publish an errata sheet. The errata will specify the revision of silicon and revision of document to which it applies.

To determine if an errata sheet exists for a particular device, please check with one of the following:

- Microchip's Worldwide Web site; <http://www.microchip.com>
- Your local Microchip sales office (see last page)
- The Microchip Corporate Literature Center; U.S. FAX: (480) 792-7277

When contacting a sales office or the literature center, please specify which device, revision of silicon and data sheet (include literature number) you are using.

Customer Notification System

Register on our web site at www.microchip.com/cn to receive the most current information on all of our products.

1.0 DEVICE OVERVIEW

This document contains device specific information about the following devices:

- PIC16F73
- PIC16F74
- PIC16F76
- PIC16F77

PIC16F73/76 devices are available only in 28-pin packages, while PIC16F74/77 devices are available in 40-pin and 44-pin packages. All devices in the PIC16F7X family share common architecture, with the following differences:

- The PIC16F73 and PIC16F76 have one-half of the total on-chip memory of the PIC16F74 and PIC16F77
- The 28-pin devices have 3 I/O ports, while the 40/44-pin devices have 5
- The 28-pin devices have 11 interrupts, while the 40/44-pin devices have 12
- The 28-pin devices have 5 A/D input channels, while the 40/44-pin devices have 8
- The Parallel Slave Port is implemented only on the 40/44-pin devices

The available features are summarized in Table 1-1. Block diagrams of the PIC16F73/76 and PIC16F74/77 devices are provided in Figure 1-1 and Figure 1-2, respectively. The pinouts for these device families are listed in Table 1-2 and Table 1-3.

Additional information may be found in the PICmicro™ Mid-Range Reference Manual (DS33023), which may be obtained from your local Microchip Sales Representative or downloaded from the Microchip website. The Reference Manual should be considered a complementary document to this data sheet, and is highly recommended reading for a better understanding of the device architecture and operation of the peripheral modules.

TABLE 1-1: PIC16F7X DEVICE FEATURES

| Key Features | PIC16F73 | PIC16F74 | PIC16F76 | PIC16F77 |
|-------------------------------------|--|---|--|---|
| Operating Frequency | DC - 20 MHz | DC - 20 MHz | DC - 20 MHz | DC - 20 MHz |
| RESETS (and Delays) | POR, BOR (PWRT, OST) | POR, BOR (PWRT, OST) | POR, BOR (PWRT, OST) | POR, BOR (PWRT, OST) |
| FLASH Program Memory (14-bit words) | 4K | 4K | 8K | 8K |
| Data Memory (bytes) | 192 | 192 | 368 | 368 |
| Interrupts | 11 | 12 | 11 | 12 |
| I/O Ports | Ports A,B,C | Ports A,B,C,D,E | Ports A,B,C | Ports A,B,C,D,E |
| Timers | 3 | 3 | 3 | 3 |
| Capture/Compare/PWM Modules | 2 | 2 | 2 | 2 |
| Serial Communications | SSP, USART | SSP, USART | SSP, USART | SSP, USART |
| Parallel Communications | — | PSP | — | PSP |
| 8-bit Analog-to-Digital Module | 5 Input Channels | 8 Input Channels | 5 Input Channels | 8 Input Channels |
| Instruction Set | 35 Instructions | 35 Instructions | 35 Instructions | 35 Instructions |
| Packaging | 28-pin DIP 28-pin SOIC 28-pin SSOP 28-pin MLF | 40-pin PDIP 44-pin PLCC 44-pin TQFP | 28-pin DIP 28-pin SOIC 28-pin SSOP 28-pin MLF | 40-pin PDIP 44-pin PLCC 44-pin TQFP |

PIC16F7X

FIGURE 1-1: PIC16F73 AND PIC16F76 BLOCK DIAGRAM

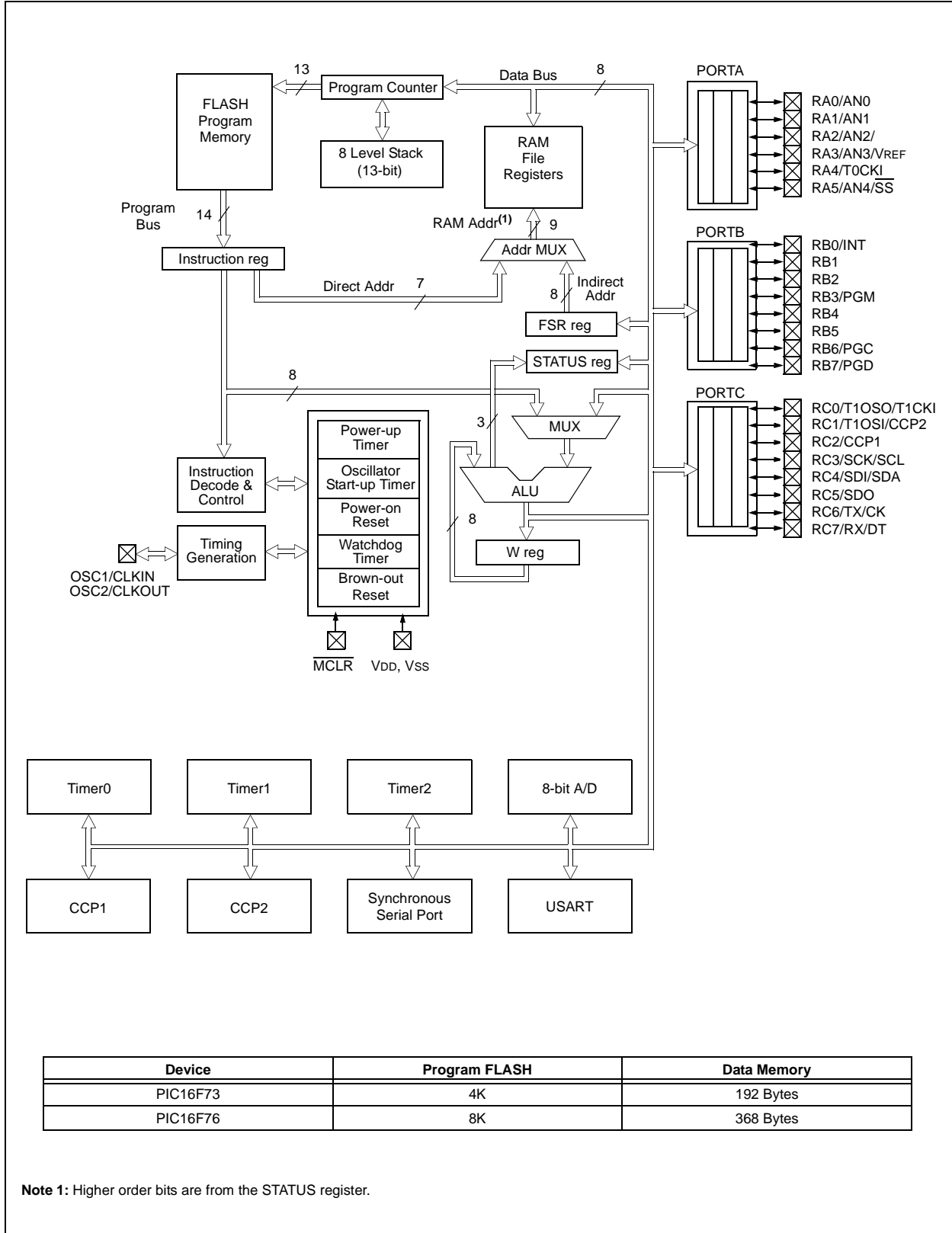
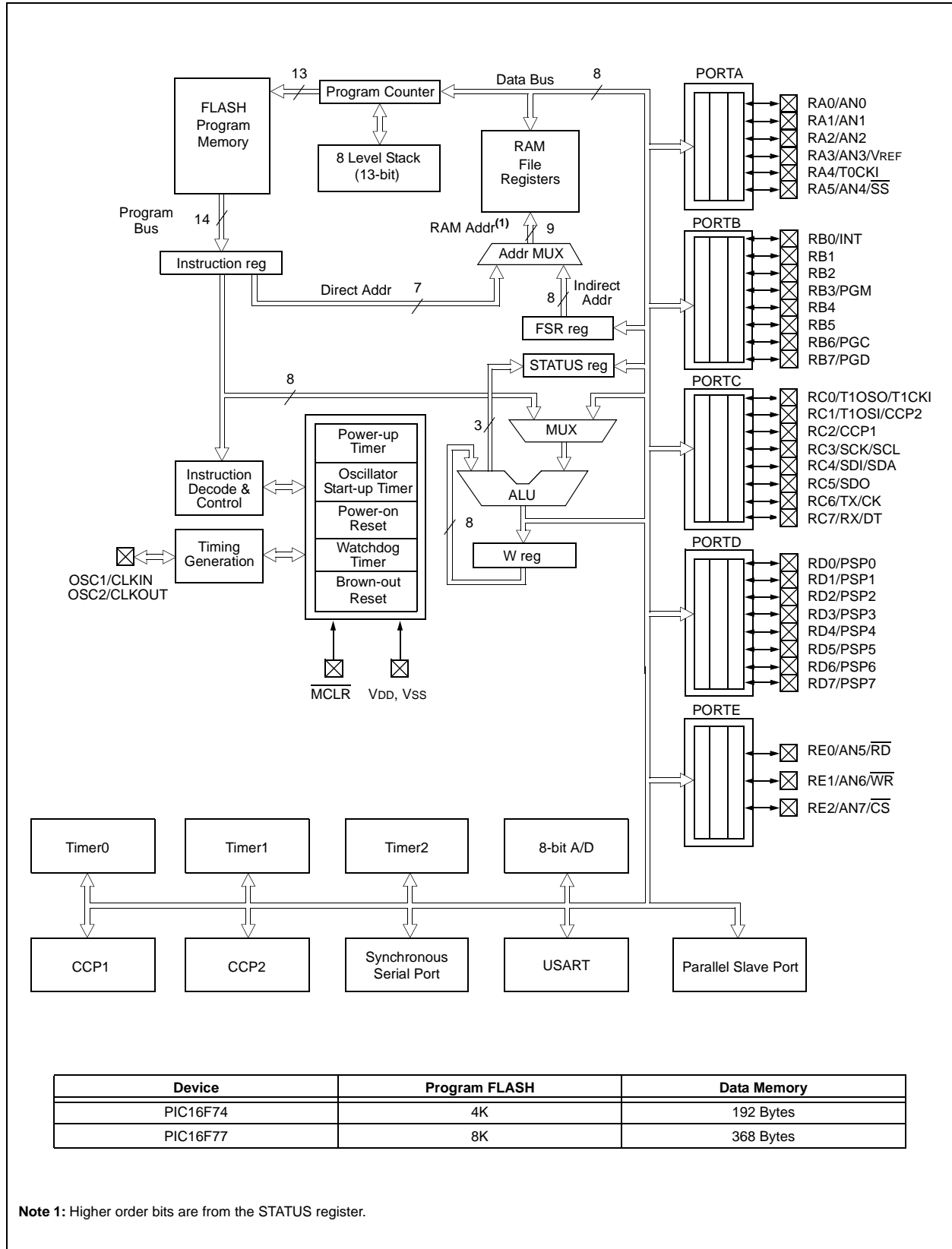


FIGURE 1-2: PIC16F74 AND PIC16F77 BLOCK DIAGRAM



PIC16F7X

TABLE 1-2: PIC16F73 AND PIC16F76 PINOUT DESCRIPTION

| Pin Name | DIP SSOP SOIC Pin# | MLF Pin# | I/O/P Type | Buffer Type | Description |
|--|--|--|---|---|--|
| OSC1/CLKI OSC1 CLKI | 9 | 6 | I I | ST/CMOS ⁽³⁾ | Oscillator crystal or external clock input. Oscillator crystal input or external clock source input. ST buffer when configured in RC mode. Otherwise CMOS. External clock source input. Always associated with pin function OSC1 (see OSC1/CLKI, OSC2/CLKO pins). |
| OSC2/CLKO OSC2 CLKO | 10 | 7 | O O | — | Oscillator crystal or clock output. Oscillator crystal output. Connects to crystal or resonator in Crystal Oscillator mode. In RC mode, OSC2 pin outputs CLKO, which has 1/4 the frequency of OSC1 and denotes the instruction cycle rate. |
| MCLR/VPP MCLR VPP | 1 | 26 | I P | ST | Master Clear (input) or programming voltage (output). Master Clear (Reset) input. This pin is an active low RESET to the device. Programming voltage input. |
| RA0/AN0 RA0 AN0 RA1/AN1 RA1 AN1 RA2/AN2 RA2 AN2 RA3/AN3/VREF RA3 AN3 VREF RA4/T0CKI RA4 T0CKI RA5/SS/AN4 RA5 SS AN4 | 2 3 4 5 6 7 | 27 28 1 2 4 5 | I/O I I/O I I/O I I/O I I/O I I/O I I | TTL TTL TTL TTL ST TTL | PORTA is a bi-directional I/O port. Digital I/O. Analog input 0. Digital I/O. Analog input 1. Digital I/O. Analog input 2. Digital I/O. Analog input 3. A/D reference voltage input. Digital I/O – Open drain when configured as output. Timer0 external clock input. Digital I/O. SPI slave select input. Analog input 4. |

Legend: I = input O = output I/O = input/output P = power
 — = Not used TTL = TTL input ST = Schmitt Trigger input

- Note**
- 1: This buffer is a Schmitt Trigger input when configured as the external interrupt.
 - 2: This buffer is a Schmitt Trigger input when used in Serial Programming mode.
 - 3: This buffer is a Schmitt Trigger input when configured in RC Oscillator mode and a CMOS input otherwise.

TABLE 1-2: PIC16F73 AND PIC16F76 PINOUT DESCRIPTION (CONTINUED)

| Pin Name | DIP SSOP SOIC Pin# | MLF Pin# | I/O/P Type | Buffer Type | Description |
|--|-----------------------------|-------------|-------------------|-----------------------|--|
| RB0/INT RB0 INT | 21 | 18 | I/O I | TTL/ST ⁽¹⁾ | PORTB is a bi-directional I/O port. PORTB can be software programmed for internal weak pull-up on all inputs. Digital I/O. External interrupt. |
| RB1 | 22 | 19 | I/O | TTL | Digital I/O. |
| RB2 | 23 | 20 | I/O | TTL | Digital I/O. |
| RB3/PGM RB3 PGM | 24 | 21 | I/O I/O | TTL | Digital I/O. Low voltage ICSP programming enable pin. |
| RB4 | 25 | 22 | I/O | TTL | Digital I/O. |
| RB5 | 26 | 23 | I/O | TTL | Digital I/O. |
| RB6/PGC RB6 PGC | 27 | 24 | I/O I/O | TTL/ST ⁽²⁾ | Digital I/O. In-Circuit Debugger and ICSP programming clock. |
| RB7/PGD RB7 PGD | 28 | 25 | I/O I/O | TTL/ST ⁽²⁾ | Digital I/O. In-Circuit Debugger and ICSP programming data. |
| RC0/T1OSO/T1CKI RC0 T1OSO T1CKI | 11 | 8 | I/O O I | ST | PORTC is a bi-directional I/O port. Digital I/O. Timer1 oscillator output. Timer1 external clock input. |
| RC1/T1OSI/CCP2 RC1 T1OSI CCP2 | 12 | 9 | I/O I I/O | ST | Digital I/O. Timer1 oscillator input. Capture2 input, Compare2 output, PWM2 output. |
| RC2/CCP1 RC2 CCP1 | 13 | 10 | I/O I/O | ST | Digital I/O. Capture1 input/Compare1 output/PWM1 output. |
| RC3/SCK/SCL RC3 SCK SCL | 14 | 11 | I/O I/O I/O | ST | Digital I/O. Synchronous serial clock input/output for SPI mode. Synchronous serial clock input/output for I ² C mode. |
| RC4/SDI/SDA RC4 SDI SDA | 15 | 12 | I/O I I/O | ST | Digital I/O. SPI data in. I ² C data I/O. |
| RC5/SDO RC5 SDO | 16 | 13 | I/O O | ST | Digital I/O. SPI data out. |
| RC6/TX/CK RC6 TX CK | 17 | 14 | I/O O I/O | ST | Digital I/O. USART asynchronous transmit. USART 1 synchronous clock. |
| RC7/RX/DT RC7 RX DT | 18 | 15 | I/O I I/O | ST | Digital I/O. USART asynchronous receive. USART synchronous data. |
| Vss | 8, 19 | 5, 16 | P | — | Ground reference for logic and I/O pins. |
| Vdd | 20 | 17 | P | — | Positive supply for logic and I/O pins. |

Legend: I = input O = output I/O = input/output P = power
 — = Not used TTL = TTL input ST = Schmitt Trigger input

- Note** 1: This buffer is a Schmitt Trigger input when configured as the external interrupt.
 2: This buffer is a Schmitt Trigger input when used in Serial Programming mode.
 3: This buffer is a Schmitt Trigger input when configured in RC Oscillator mode and a CMOS input otherwise.

TABLE 1-3: PIC16F74 AND PIC16F77 PINOUT DESCRIPTION (CONTINUED)

| Pin Name | DIP Pin# | PLCC Pin# | QFP Pin# | I/O/P Type | Buffer Type | Description |
|--|----------|-----------|----------|-------------------|-----------------------|--|
| RB0/INT RB0 INT | 33 | 36 | 8 | I/O I | TTL/ST ⁽¹⁾ | PORTB is a bi-directional I/O port. PORTB can be software programmed for internal weak pull-up on all inputs. Digital I/O. External interrupt. |
| RB1 | 34 | 37 | 9 | I/O | TTL | Digital I/O. |
| RB2 | 35 | 38 | 10 | I/O | TTL | Digital I/O. |
| RB3/PGM RB3 PGM | 36 | 39 | 11 | I/O I/O | TTL | Digital I/O. Low voltage ICSP programming enable pin. |
| RB4 | 37 | 41 | 14 | I/O | TTL | Digital I/O. |
| RB5 | 38 | 42 | 15 | I/O | TTL | Digital I/O. |
| RB6/PGC RB6 PGC | 39 | 43 | 16 | I/O I/O | TTL/ST ⁽²⁾ | Digital I/O. In-Circuit Debugger and ICSP programming clock. |
| RB7/PGD RB7 PGD | 40 | 44 | 17 | I/O I/O | TTL/ST ⁽²⁾ | Digital I/O. In-Circuit Debugger and ICSP programming data. |
| RC0/T1OSO/T1CKI RC0 T1OSO T1CKI | 15 | 16 | 32 | I/O O I | ST | PORTC is a bi-directional I/O port. Digital I/O. Timer1 oscillator output. Timer1 external clock input. |
| RC1/T1OSI/CCP2 RC1 T1OSI CCP2 | 16 | 18 | 35 | I/O I I/O | ST | Digital I/O. Timer1 oscillator input. Capture2 input, Compare2 output, PWM2 output. |
| RC2/CCP1 RC2 CCP1 | 17 | 19 | 36 | I/O I/O | ST | Digital I/O. Capture1 input/Compare1 output/PWM1 output |
| RC3/SCK/SCL RC3 SCK SCL | 18 | 20 | 37 | I/O I/O I/O | ST | Digital I/O Synchronous serial clock input/output for SPI mode. Synchronous serial clock input/output for I ² C mode. |
| RC4/SDI/SDA RC4 SDI SDA | 23 | 25 | 42 | I/O I I/O | ST | Digital I/O. SPI data in. I ² C data I/O. |
| RC5/SDO RC5 SDO | 24 | 26 | 43 | I/O O | ST | Digital I/O. SPI data out. |
| RC6/TX/CK RC6 TX CK | 25 | 27 | 44 | I/O O I/O | ST | Digital I/O. USART asynchronous transmit. USART 1 synchronous clock. |
| RC7/RX/DT RC7 RX DT | 26 | 29 | 1 | I/O I I/O | ST | Digital I/O. USART asynchronous receive. USART synchronous data. |

Legend: I = input O = output I/O = input/output P = power
 — = Not used TTL = TTL input ST = Schmitt Trigger input

- Note**
- 1: This buffer is a Schmitt Trigger input when configured as an external interrupt.
 - 2: This buffer is a Schmitt Trigger input when used in Serial Programming mode.
 - 3: This buffer is a Schmitt Trigger input when configured as general purpose I/O and a TTL input when used in the Parallel Slave Port mode (for interfacing to a microprocessor bus).
 - 4: This buffer is a Schmitt Trigger input when configured in RC Oscillator mode and a CMOS input otherwise.

PIC16F7X

TABLE 1-3: PIC16F74 AND PIC16F77 PINOUT DESCRIPTION (CONTINUED)

| Pin Name | DIP Pin# | PLCC Pin# | QFP Pin# | I/O/P Type | Buffer Type | Description |
|--------------------------------|----------|------------|-------------|-----------------|-----------------------|--|
| RD0/PSP0 RD0 PSP0 | 19 | 21 | 38 | I/O I/O | ST/TTL ⁽³⁾ | PORTD is a bi-directional I/O port or parallel slave port when interfacing to a microprocessor bus. Digital I/O. Parallel Slave Port data. |
| RD1/PSP1 RD1 PSP1 | 20 | 22 | 39 | I I/O I/O | ST/TTL ⁽³⁾ | Digital I/O. Parallel Slave Port data. |
| RD2/PSP2 RD2 PSP2 | 21 | 23 | 40 | I I/O I/O | ST/TTL ⁽³⁾ | Digital I/O. Parallel Slave Port data. |
| RD3/PSP3 RD3 PSP3 | 22 | 24 | 41 | I/O I/O | ST/TTL ⁽³⁾ | Digital I/O. Parallel Slave Port data. |
| RD4/PSP4 RD4 PSP4 | 27 | 30 | 2 | I/O I/O | ST/TTL ⁽³⁾ | Digital I/O. Parallel Slave Port data. |
| RD5/PSP5 RD5 PSP5 | 28 | 31 | 3 | I/O I/O | ST/TTL ⁽³⁾ | Digital I/O. Parallel Slave Port data. |
| RD6/PSP6 RD6 PSP6 | 29 | 32 | 4 | I/O I/O | ST/TTL ⁽³⁾ | Digital I/O. Parallel Slave Port data. |
| RD7/PSP7 RD7 PSP7 | 30 | 33 | 5 | I/O I/O | ST/TTL ⁽³⁾ | Digital I/O. Parallel Slave Port data. |
| RE0/RD/AN5 RE0 RD AN5 | 8 | 9 | 25 | I/O I I | ST/TTL ⁽³⁾ | PORTE is a bi-directional I/O port. Digital I/O. Read control for parallel slave port . Analog input 5. |
| RE1/WR/AN6 RE1 WR AN6 | 9 | 10 | 26 | I/O I I | ST/TTL ⁽³⁾ | Digital I/O. Write control for parallel slave port . Analog input 6. |
| RE2/CS/AN7 RE2 CS AN7 | 10 | 11 | 27 | I/O I I | ST/TTL ⁽³⁾ | Digital I/O. Chip select control for parallel slave port . Analog input 7. |
| Vss | 12,31 | 13,34 | 6,29 | P | — | Ground reference for logic and I/O pins. |
| VDD | 11,32 | 12,35 | 7,28 | P | — | Positive supply for logic and I/O pins. |
| NC | — | 1,17,28,40 | 12,13,33,34 | | — | These pins are not internally connected. These pins should be left unconnected. |

Legend: I = input O = output I/O = input/output P = power
 — = Not used TTL = TTL input ST = Schmitt Trigger input

- Note**
- 1: This buffer is a Schmitt Trigger input when configured as an external interrupt.
 - 2: This buffer is a Schmitt Trigger input when used in Serial Programming mode.
 - 3: This buffer is a Schmitt Trigger input when configured as general purpose I/O and a TTL input when used in the Parallel Slave Port mode (for interfacing to a microprocessor bus).
 - 4: This buffer is a Schmitt Trigger input when configured in RC Oscillator mode and a CMOS input otherwise.

2.0 MEMORY ORGANIZATION

There are two memory blocks in each of these PICmicro® MCUs. The Program Memory and Data Memory have separate buses so that concurrent access can occur and is detailed in this section. The Program Memory can be read internally by user code (see Section 3.0).

Additional information on device memory may be found in the PICmicro™ Mid-Range Reference Manual (DS33023).

2.1 Program Memory Organization

The PIC16F7X devices have a 13-bit program counter capable of addressing an 8K word x 14-bit program memory space. The PIC16F77/76 devices have 8K words of FLASH program memory and the PIC16F73/74 devices have 4K words. The program memory maps for PIC16F7X devices are shown in Figure 2-1. Accessing a location above the physically implemented address will cause a wraparound.

The RESET Vector is at 0000h and the Interrupt Vector is at 0004h.

2.2 Data Memory Organization

The Data Memory is partitioned into multiple banks, which contain the General Purpose Registers and the Special Function Registers. Bits RP1 (STATUS<6>) and RP0 (STATUS<5>) are the bank select bits:

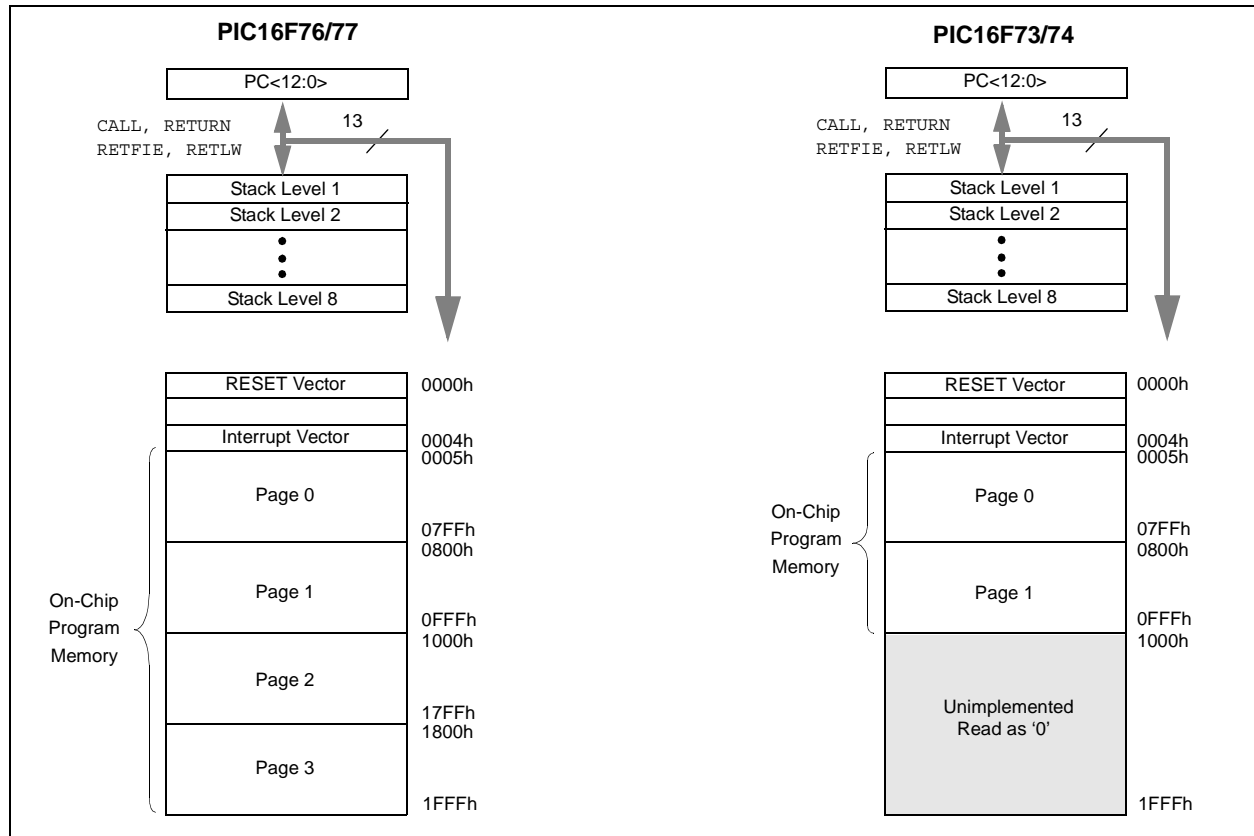
| RP1:RP0 | Bank |
|---------|------|
| 00 | 0 |
| 01 | 1 |
| 10 | 2 |
| 11 | 3 |

Each bank extends up to 7Fh (128 bytes). The lower locations of each bank are reserved for the Special Function Registers. Above the Special Function Registers are General Purpose Registers, implemented as static RAM. All implemented banks contain Special Function Registers. Some frequently used Special Function Registers from one bank may be mirrored in another bank for code reduction and quicker access.

2.2.1 GENERAL PURPOSE REGISTER FILE

The register file (shown in Figure 2-2 and Figure 2-3) can be accessed either directly, or indirectly, through the File Select Register FSR.

FIGURE 2-1: PROGRAM MEMORY MAPS AND STACKS FOR PIC16F7X DEVICES



PIC16F7X

FIGURE 2-2: PIC16F77/76 REGISTER FILE MAP

| File Address | | File Address | | File Address | | File Address | |
|--------------------------------------|-----|--------------------------------------|-----|--------------------------------------|------|--------------------------------------|------|
| Indirect addr.(*) | 00h | Indirect addr.(*) | 80h | Indirect addr.(*) | 100h | Indirect addr.(*) | 180h |
| TMR0 | 01h | OPTION_REG | 81h | TMR0 | 101h | OPTION_REG | 181h |
| PCL | 02h | PCL | 82h | PCL | 102h | PCL | 182h |
| STATUS | 03h | STATUS | 83h | STATUS | 103h | STATUS | 183h |
| FSR | 04h | FSR | 84h | FSR | 104h | FSR | 184h |
| PORTA | 05h | TRISA | 85h | | 105h | | 185h |
| PORTB | 06h | TRISB | 86h | PORTB | 106h | TRISB | 186h |
| PORTC | 07h | TRISC | 87h | | 107h | | 187h |
| PORTD ⁽¹⁾ | 08h | TRISD ⁽¹⁾ | 88h | | 108h | | 188h |
| PORTE ⁽¹⁾ | 09h | TRISE ⁽¹⁾ | 89h | | 109h | | 189h |
| PCLATH | 0Ah | PCLATH | 8Ah | PCLATH | 10Ah | PCLATH | 18Ah |
| INTCON | 0Bh | INTCON | 8Bh | INTCON | 10Bh | INTCON | 18Bh |
| PIR1 | 0Ch | PIE1 | 8Ch | PMDATA | 10Ch | PMCON1 | 18Ch |
| PIR2 | 0Dh | PIE2 | 8Dh | PMADR | 10Dh | | 18Dh |
| TMR1L | 0Eh | PCON | 8Eh | PMDATH | 10Eh | | 18Eh |
| TMR1H | 0Fh | | 8Fh | PMADRH | 10Fh | | 18Fh |
| T1CON | 10h | | 90h | | 110h | | 190h |
| TMR2 | 11h | | 91h | | 111h | | 191h |
| T2CON | 12h | PR2 | 92h | | 112h | | 192h |
| SSPBUF | 13h | SSPADD | 93h | | 113h | | 193h |
| SSPCON | 14h | SSPSTAT | 94h | | 114h | | 194h |
| CCPR1L | 15h | | 95h | | 115h | | 195h |
| CCPR1H | 16h | | 96h | | 116h | | 196h |
| CCP1CON | 17h | | 97h | General Purpose Register 16 Bytes | 117h | General Purpose Register 16 Bytes | 197h |
| RCSTA | 18h | TXSTA | 98h | | 118h | | 198h |
| TXREG | 19h | SPBRG | 99h | | 119h | | 199h |
| RCREG | 1Ah | | 9Ah | | 11Ah | | 19Ah |
| CCPR2L | 1Bh | | 9Bh | | 11Bh | | 19Bh |
| CCPR2H | 1Ch | | 9Ch | | 11Ch | | 19Ch |
| CCP2CON | 1Dh | | 9Dh | | 11Dh | | 19Dh |
| ADRES | 1Eh | | 9Eh | | 11Eh | | 19Eh |
| ADCON0 | 1Fh | ADCON1 | 9Fh | | 11Fh | | 19Fh |
| | 20h | | A0h | | 120h | | 1A0h |
| General Purpose Register 96 Bytes | | General Purpose Register 80 Bytes | | General Purpose Register 80 Bytes | | General Purpose Register 80 Bytes | |
| | | accesses 70h-7Fh | EFh | accesses 70h-7Fh | 16Fh | accesses 70h - 7Fh | 1EFh |
| | | | F0h | | 170h | | 1F0h |
| | | | FFh | | 17Fh | | 1FFh |
| Bank 0 | 7Fh | Bank 1 | | Bank 2 | | Bank 3 | |

Unimplemented data memory locations, read as '0'.
 * Not a physical register.

Note 1: These registers are not implemented on 28-pin devices.

FIGURE 2-3: PIC16F74/73 REGISTER FILE MAP

| File Address | | File Address | | File Address | | File Address | |
|--------------------------|-----|--------------------------|-----|-------------------|------|--------------------|------|
| Indirect addr.(*) | 00h | Indirect addr.(*) | 80h | Indirect addr.(*) | 100h | Indirect addr.(*) | 180h |
| TMR0 | 01h | OPTION_REG | 81h | TMR0 | 101h | OPTION_REG | 181h |
| PCL | 02h | PCL | 82h | PCL | 102h | PCL | 182h |
| STATUS | 03h | STATUS | 83h | STATUS | 103h | STATUS | 183h |
| FSR | 04h | FSR | 84h | FSR | 104h | FSR | 184h |
| PORTA | 05h | TRISA | 85h | | 105h | | 185h |
| PORTB | 06h | TRISB | 86h | PORTB | 106h | TRISB | 186h |
| PORTC | 07h | TRISC | 87h | | 107h | | 187h |
| PORTD ⁽¹⁾ | 08h | TRISD ⁽¹⁾ | 88h | | 108h | | 188h |
| PORTE ⁽¹⁾ | 09h | TRISE ⁽¹⁾ | 89h | | 109h | | 189h |
| PCLATH | 0Ah | PCLATH | 8Ah | PCLATH | 10Ah | PCLATH | 18Ah |
| INTCON | 0Bh | INTCON | 8Bh | INTCON | 10Bh | INTCON | 18Bh |
| PIR1 | 0Ch | PIE1 | 8Ch | PMDATA | 10Ch | PMCON1 | 18Ch |
| PIR2 | 0Dh | PIE2 | 8Dh | PMADR | 10Dh | | 18Dh |
| TMR1L | 0Eh | PCON | 8Eh | PMDATH | 10Eh | | 18Eh |
| TMR1H | 0Fh | | 8Fh | PMADRH | 10Fh | | 18Fh |
| T1CON | 10h | | 90h | | 110h | | 190h |
| TMR2 | 11h | | 91h | | | | |
| T2CON | 12h | PR2 | 92h | | | | |
| SSPBUF | 13h | SSPADD | 93h | | | | |
| SSPCON | 14h | SSPSTAT | 94h | | | | |
| CCPR1L | 15h | | 95h | | | | |
| CCPR1H | 16h | | 96h | | | | |
| CCP1CON | 17h | | 97h | | | | |
| RCSTA | 18h | TXSTA | 98h | | | | |
| TXREG | 19h | SPBRG | 99h | | | | |
| RCREG | 1Ah | | 9Ah | | | | |
| CCPR2L | 1Bh | | 9Bh | | | | |
| CCPR2H | 1Ch | | 9Ch | | | | |
| CCP2CON | 1Dh | | 9Dh | | | | |
| ADRES | 1Eh | | 9Eh | | | | |
| ADCON0 | 1Fh | ADCON1 | 9Fh | | | | |
| | 20h | | A0h | | 120h | | 1A0h |
| General Purpose Register | | General Purpose Register | | accesses 20h-7Fh | | accesses A0h - FFh | |
| 96 Bytes | | 96 Bytes | | | 16Fh | | 1EFh |
| | 7Fh | | FFh | | 170h | | 1F0h |
| Bank 0 | | Bank 1 | | Bank 2 | 17Fh | Bank 3 | 1FFh |

Unimplemented data memory locations, read as '0'.
 * Not a physical register.

Note 1: These registers are not implemented on 28-pin devices.

PIC16F7X

2.2.2 SPECIAL FUNCTION REGISTERS

The Special Function Registers are registers used by the CPU and peripheral modules for controlling the desired operation of the device. These registers are implemented as static RAM. A list of these registers is given in Table 2-1.

The Special Function Registers can be classified into two sets: core (CPU) and peripheral. Those registers associated with the core functions are described in detail in this section. Those related to the operation of the peripheral features are described in detail in the peripheral feature section.

TABLE 2-1: SPECIAL FUNCTION REGISTER SUMMARY

| Address | Name | Bit 7 | Bit 6 | Bit 5 | Bit 4 | Bit 3 | Bit 2 | Bit 1 | Bit 0 | Value on: POR, BOR | Details on page | |
|----------------------|---------|--|---------|---|--|-----------------|----------------------|---------|---------|--------------------------|--------------------|--------|
| Bank 0 | | | | | | | | | | | | |
| 00h ⁽⁴⁾ | INDF | Addressing this location uses contents of FSR to address data memory (not a physical register) | | | | | | | | 0000 0000 | 27, 96 | |
| 01h | TMR0 | Timer0 Module Register | | | | | | | | xxxx xxxx | 45, 96 | |
| 02h ⁽⁴⁾ | PCL | Program Counter (PC) Least Significant Byte | | | | | | | | 0000 0000 | 26, 96 | |
| 03h ⁽⁴⁾ | STATUS | IRP | RP1 | RP0 | \overline{TO} | \overline{PD} | Z | DC | C | 0001 1xxx | 19, 96 | |
| 04h ⁽⁴⁾ | FSR | Indirect Data Memory Address Pointer | | | | | | | | xxxx xxxx | 27, 96 | |
| 05h | PORTA | — | — | PORTA Data Latch when written: PORTA pins when read | | | | | | | --0x 0000 | 32, 96 |
| 06h | PORTB | PORTB Data Latch when written: PORTB pins when read | | | | | | | | xxxx xxxx | 34, 96 | |
| 07h | PORTC | PORTC Data Latch when written: PORTC pins when read | | | | | | | | xxxx xxxx | 35, 96 | |
| 08h ⁽⁵⁾ | PORTD | PORTD Data Latch when written: PORTD pins when read | | | | | | | | xxxx xxxx | 36, 96 | |
| 09h ⁽⁵⁾ | PORTE | — | — | — | — | — | RE2 | RE1 | RE0 | ---- -xxx | 39, 96 | |
| 0Ah ^(1,4) | PCLATH | — | — | — | Write Buffer for the upper 5 bits of the Program Counter | | | | | ---0 0000 | 26, 96 | |
| 0Bh ⁽⁴⁾ | INTCON | GIE | PEIE | TMR0IE | INTE | RBIE | TMR0IF | INTF | RBIF | 0000 000x | 21, 96 | |
| 0Ch | PIR1 | PSPIF ⁽³⁾ | ADIF | RCIF | TXIF | SSPIF | CCP1IF | TMR2IF | TMR1IF | 0000 0000 | 23, 96 | |
| 0Dh | PIR2 | — | — | — | — | — | — | — | CCP2IF | ---- --0 | 24, 96 | |
| 0Eh | TMR1L | Holding Register for the Least Significant Byte of the 16-bit TMR1 Register | | | | | | | | xxxx xxxx | 50, 96 | |
| 0Fh | TMR1H | Holding Register for the Most Significant Byte of the 16-bit TMR1 Register | | | | | | | | xxxx xxxx | 50, 96 | |
| 10h | T1CON | — | — | T1CKPS1 | T1CKPS0 | T1OSCEN | $\overline{T1SYNC}$ | TMR1CS | TMR1ON | --00 0000 | 47, 96 | |
| 11h | TMR2 | Timer2 Module Register | | | | | | | | 0000 0000 | 52, 96 | |
| 12h | T2CON | — | TOUTPS3 | TOUTPS2 | TOUTPS | TOUTPS0 | TMR2ON | T2CKPS1 | T2CKPS0 | -000 0000 | 52, 96 | |
| 13h | SSPBUF | Synchronous Serial Port Receive Buffer/Transmit Register | | | | | | | | xxxx xxxx | 64, 68, 96 | |
| 14h | SSPCON | WCOL | SSPOV | SSPEN | CKP | SSPM3 | SSPM2 | SSPM1 | SSPM0 | 0000 0000 | 61, 96 | |
| 15h | CCPR1L | Capture/Compare/PWM Register1 (LSB) | | | | | | | | xxxx xxxx | 56, 96 | |
| 16h | CCPR1H | Capture/Compare/PWM Register1 (MSB) | | | | | | | | xxxx xxxx | 56, 96 | |
| 17h | CCP1CON | — | — | CCP1X | CCP1Y | CCP1M3 | CCP1M2 | CCP1M1 | CCP1M0 | --00 0000 | 54, 96 | |
| 18h | RCSTA | SPEN | RX9 | SREN | CREN | — | FERR | OERR | RX9D | 0000 -00x | 70, 96 | |
| 19h | TXREG | USART Transmit Data Register | | | | | | | | 0000 0000 | 74, 96 | |
| 1Ah | RCREG | USART Receive Data Register | | | | | | | | 0000 0000 | 76, 96 | |
| 1Bh | CCPR2L | Capture/Compare/PWM Register2 (LSB) | | | | | | | | xxxx xxxx | 58, 96 | |
| 1Ch | CCPR2H | Capture/Compare/PWM Register2 (MSB) | | | | | | | | xxxx xxxx | 58, 96 | |
| 1Dh | CCP2CON | — | — | CCP2X | CCP2Y | CCP2M3 | CCP2M2 | CCP2M1 | CCP2M0 | --00 0000 | 54, 96 | |
| 1Eh | ADRES | A/D Result Register Byte | | | | | | | | xxxx xxxx | 88, 96 | |
| 1Fh | ADCON0 | ADCS1 | ADCS0 | CHS2 | CHS1 | CHS0 | $\overline{GO/DONE}$ | — | ADON | 0000 00-0 | 83, 96 | |

Legend: x = unknown, u = unchanged, q = value depends on condition, - = unimplemented, read as '0', r = reserved.
Shaded locations are unimplemented, read as '0'.

- Note 1:** The upper byte of the program counter is not directly accessible. PCLATH is a holding register for the PC<12:8>, whose contents are transferred to the upper byte of the program counter during branches (CALL or GOTO).
- 2:** Other (non power-up) RESETS include external RESET through MCLR and Watchdog Timer Reset.
- 3:** Bits PSPIE and PSPIF are reserved on the 28-pin devices; always maintain these bits clear.
- 4:** These registers can be addressed from any bank.
- 5:** PORTD, PORTE, TRISD, and TRISE are not physically implemented on the 28-pin devices, read as '0'.
- 6:** This bit always reads as a '1'.

TABLE 2-1: SPECIAL FUNCTION REGISTER SUMMARY (CONTINUED)

| Address | Name | Bit 7 | Bit 6 | Bit 5 | Bit 4 | Bit 3 | Bit 2 | Bit 1 | Bit 0 | Value on: POR, BOR | Details on page |
|----------------------|------------|--|--------|-------------------------------|--|-----------------|---------------------------|------------------|--------|--------------------------|--------------------|
| Bank 1 | | | | | | | | | | | |
| 80h ⁽⁴⁾ | INDF | Addressing this location uses contents of FSR to address data memory (not a physical register) | | | | | | | | 0000 0000 | 27, 96 |
| 81h | OPTION_REG | RBP | INTEDG | T0CS | T0SE | PSA | PS2 | PS1 | PS0 | 1111 1111 | 20, 44, 96 |
| 82h ⁽⁴⁾ | PCL | Program Counter's (PC) Least Significant Byte | | | | | | | | 0000 0000 | 26, 96 |
| 83h ⁽⁴⁾ | STATUS | IRP | RP1 | RP0 | \overline{TO} | \overline{PD} | Z | DC | C | 0001 1xxxx | 19, 96 |
| 84h ⁽⁴⁾ | FSR | Indirect data memory address pointer | | | | | | | | xxxx xxxx | 27, 96 |
| 85h | TRISA | — | — | PORTA Data Direction Register | | | | | | --11 1111 | 32, 96 |
| 86h | TRISB | PORTB Data Direction Register | | | | | | | | 1111 1111 | 34, 96 |
| 87h | TRISC | PORTC Data Direction Register | | | | | | | | 1111 1111 | 35, 96 |
| 88h ⁽⁵⁾ | TRISD | PORTD Data Direction Register | | | | | | | | 1111 1111 | 36, 96 |
| 89h ⁽⁵⁾ | TRISE | IBF | OBF | IBOV | PSPMODE | — | PORTE Data Direction Bits | | | 0000 -111 | 38, 96 |
| 8Ah ^(1,4) | PCLATH | — | — | — | Write Buffer for the upper 5 bits of the Program Counter | | | | | ---0 0000 | 21, 96 |
| 8Bh ⁽⁴⁾ | INTCON | GIE | PEIE | TMR0IE | INTE | RBIE | TMR0IF | INTF | RBIF | 0000 000x | 23, 96 |
| 8Ch | PIE1 | PSPIE ⁽³⁾ | ADIE | RCIE | TXIE | SSPIE | CCP1IE | TMR2IE | TMR1IE | 0000 0000 | 22, 96 |
| 8Dh | PIE2 | — | — | — | — | — | — | — | CCP2IE | ---- ---0 | 24, 97 |
| 8Eh | PCON | — | — | — | — | — | — | \overline{POR} | BOR | ---- --gq | 25, 97 |
| 8Fh | — | Unimplemented | | | | | | | | — | — |
| 90h | — | Unimplemented | | | | | | | | — | — |
| 91h | — | Unimplemented | | | | | | | | — | — |
| 92h | PR2 | Timer2 Period Register | | | | | | | | 1111 1111 | 52, 97 |
| 93h | SSPADD | Synchronous Serial Port (I ² C mode) Address Register | | | | | | | | 0000 0000 | 68, 97 |
| 94h | SSPSTAT | SMP | CKE | D/ \overline{A} | P | S | R/ \overline{W} | UA | BF | 0000 0000 | 60, 97 |
| 95h | — | Unimplemented | | | | | | | | — | — |
| 96h | — | Unimplemented | | | | | | | | — | — |
| 97h | — | Unimplemented | | | | | | | | — | — |
| 98h | TXSTA | CSRC | TX9 | TXEN | SYNC | — | BRGH | TRMT | TX9D | 0000 -010 | 69, 97 |
| 99h | SPBRG | Baud Rate Generator Register | | | | | | | | 0000 0000 | 71, 97 |
| 9Ah | — | Unimplemented | | | | | | | | — | — |
| 9Bh | — | Unimplemented | | | | | | | | — | — |
| 9Ch | — | Unimplemented | | | | | | | | — | — |
| 9Dh | — | Unimplemented | | | | | | | | — | — |
| 9Eh | — | Unimplemented | | | | | | | | — | — |
| 9Fh | ADCON1 | — | — | — | — | — | PCFG2 | PCFG1 | PCFG0 | ---- -000 | 84, 97 |

Legend: x = unknown, u = unchanged, q = value depends on condition, - = unimplemented, read as '0', r = reserved.
Shaded locations are unimplemented, read as '0'.

- Note 1:** The upper byte of the program counter is not directly accessible. PCLATH is a holding register for the PC<12:8>, whose contents are transferred to the upper byte of the program counter during branches (CALL or GOTO).
- 2:** Other (non power-up) RESETS include external RESET through MCLR and Watchdog Timer Reset.
- 3:** Bits PSPIE and PSPIF are reserved on the 28-pin devices; always maintain these bits clear.
- 4:** These registers can be addressed from any bank.
- 5:** PORTD, PORTE, TRISD, and TRISE are not physically implemented on the 28-pin devices, read as '0'.
- 6:** This bit always reads as a '1'.

PIC16F7X

TABLE 2-1: SPECIAL FUNCTION REGISTER SUMMARY (CONTINUED)

| Address | Name | Bit 7 | Bit 6 | Bit 5 | Bit 4 | Bit 3 | Bit 2 | Bit 1 | Bit 0 | Value on: POR, BOR | Details on page |
|-----------------------|------------|--|--------|-------------------------|--|-----------------|--------|-------|-----------|--------------------------|--------------------|
| Bank 2 | | | | | | | | | | | |
| 100h ⁽⁴⁾ | INDF | Addressing this location uses contents of FSR to address data memory (not a physical register) | | | | | | | | 0000 0000 | 27, 96 |
| 101h | TMR0 | Timer0 Module Register | | | | | | | | xxxx xxxx | 45, 96 |
| 102h ⁽⁴⁾ | PCL | Program Counter (PC) Least Significant Byte | | | | | | | | 0000 0000 | 26, 96 |
| 103h ⁽⁴⁾ | STATUS | IRP | RP1 | RP0 | \overline{TO} | \overline{PD} | Z | DC | C | 0001 1xxxx | 19, 96 |
| 104h ⁽⁴⁾ | FSR | Indirect Data Memory Address Pointer | | | | | | | | xxxx xxxx | 27, 96 |
| 105h | — | Unimplemented | | | | | | | | — | — |
| 106h | PORTB | PORTB Data Latch when written: PORTB pins when read | | | | | | | | xxxx xxxx | 34, 96 |
| 107h | — | Unimplemented | | | | | | | | — | — |
| 108h | — | Unimplemented | | | | | | | | — | — |
| 109h | — | Unimplemented | | | | | | | | — | — |
| 10Ah ^(1,4) | PCLATH | — | — | — | Write Buffer for the upper 5 bits of the Program Counter | | | | | ---0 0000 | 21, 96 |
| 10Bh ⁽⁴⁾ | INTCON | GIE | PEIE | TMR0IE | INTE | RBIE | TMR0IF | INTF | RBIF | 0000 000x | 23, 96 |
| 10Ch | PMDATA | Data Register Low Byte | | | | | | | | xxxx xxxx | 29, 97 |
| 10Dh | PMADR | Address Register Low Byte | | | | | | | | xxxx xxxx | 29, 97 |
| 10Eh | PMDATH | — | — | Data Register High Byte | | | | | xxxx xxxx | 29, 97 | |
| 10Fh | PMADRH | — | — | — | Address Register High Byte | | | | | xxxx xxxx | 29, 97 |
| Bank 3 | | | | | | | | | | | |
| 180h ⁽⁴⁾ | INDF | Addressing this location uses contents of FSR to address data memory (not a physical register) | | | | | | | | 0000 0000 | 27, 96 |
| 181h | OPTION_REG | \overline{RBP} | INTEDG | T0CS | T0SE | PSA | PS2 | PS1 | PS0 | 1111 1111 | 20, 44, 96 |
| 182h ⁽⁴⁾ | PCL | Program Counter (PC) Least Significant Byte | | | | | | | | 0000 0000 | 26, 96 |
| 183h ⁽⁴⁾ | STATUS | IRP | RP1 | RP0 | \overline{TO} | \overline{PD} | Z | DC | C | 0001 1xxxx | 19, 96 |
| 184h ⁽⁴⁾ | FSR | Indirect Data Memory Address Pointer | | | | | | | | xxxx xxxx | 27, 96 |
| 185h | — | Unimplemented | | | | | | | | — | — |
| 186h | TRISB | PORTB Data Direction Register | | | | | | | | 1111 1111 | 34, 96 |
| 187h | — | Unimplemented | | | | | | | | — | — |
| 188h | — | Unimplemented | | | | | | | | — | — |
| 189h | — | Unimplemented | | | | | | | | — | — |
| 18Ah ^(1,4) | PCLATH | — | — | — | Write Buffer for the upper 5 bits of the Program Counter | | | | | ---0 0000 | 21, 96 |
| 18Bh ⁽⁴⁾ | INTCON | GIE | PEIE | TMR0IE | INTE | RBIE | TMR0IF | INTF | RBIF | 0000 000x | 23, 96 |
| 18Ch | PMCON1 | — ⁽⁶⁾ | — | — | — | — | — | — | RD | 1--- ---0 | 29, 97 |
| 18Dh | — | Unimplemented | | | | | | | | — | — |
| 18Eh | — | Reserved maintain clear | | | | | | | | 0000 0000 | — |
| 18Fh | — | Reserved maintain clear | | | | | | | | 0000 0000 | — |

Legend: x = unknown, u = unchanged, c = value depends on condition, - = unimplemented, read as '0', r = reserved.

Shaded locations are unimplemented, read as '0'.

- Note 1:** The upper byte of the program counter is not directly accessible. PCLATH is a holding register for the PC<12:8>, whose contents are transferred to the upper byte of the program counter during branches (CALL or GOTO).
- 2:** Other (non power-up) RESETS include external RESET through MCLR and Watchdog Timer Reset.
- 3:** Bits PSPIE and PSPIF are reserved on the 28-pin devices; always maintain these bits clear.
- 4:** These registers can be addressed from any bank.
- 5:** PORTD, PORTE, TRISD, and TRISE are not physically implemented on the 28-pin devices, read as '0'.
- 6:** This bit always reads as a '1'.

2.2.2.1 STATUS Register

The STATUS register contains the arithmetic status of the ALU, the RESET status and the bank select bits for data memory.

The STATUS register can be the destination for any instruction, as with any other register. If the STATUS register is the destination for an instruction that affects the Z, DC, or C bits, then the write to these three bits is disabled. These bits are set or cleared according to the device logic. Furthermore, the $\overline{\text{TO}}$ and $\overline{\text{PD}}$ bits are not writable, therefore, the result of an instruction with the STATUS register as destination may be different than intended.

For example, `CLRF STATUS` will clear the upper three bits and set the Z bit. This leaves the STATUS register as `000u u1uu` (where u = unchanged).

It is recommended, therefore, that only `BCF`, `BSF`, `SWAPF` and `MOVWF` instructions are used to alter the STATUS register, because these instructions do not affect the Z, C, or DC bits from the STATUS register. For other instructions not affecting any status bits, see the "Instruction Set Summary."

Note 1: The $\overline{\text{C}}$ and $\overline{\text{DC}}$ bits operate as a borrow and digit borrow bit, respectively, in subtraction. See the `SUBLW` and `SUBWF` instructions for examples.

REGISTER 2-1: STATUS REGISTER (ADDRESS 03h, 83h, 103h, 183h)

| | R/W-0 | R/W-0 | R/W-0 | R-1 | R-1 | R/W-x | R/W-x | R/W-x |
|-------|-------|-------|-------|------------------------|------------------------|-------|-------|-------|
| | IRP | RP1 | RP0 | $\overline{\text{TO}}$ | $\overline{\text{PD}}$ | Z | DC | C |
| bit 7 | | | | | | | | bit 0 |

- bit 7 **IRP:** Register Bank Select bit (used for indirect addressing)
 1 = Bank 2, 3 (100h - 1FFh)
 0 = Bank 0, 1 (00h - FFh)
- bit 6-5 **RP1:RP0:** Register Bank Select bits (used for direct addressing)
 11 = Bank 3 (180h - 1FFh)
 10 = Bank 2 (100h - 17Fh)
 01 = Bank 1 (80h - FFh)
 00 = Bank 0 (00h - 7Fh)
 Each bank is 128 bytes
- bit 4 **$\overline{\text{TO}}$:** Time-out bit
 1 = After power-up, `CLRWDT` instruction, or `SLEEP` instruction
 0 = A WDT time-out occurred
- bit 3 **$\overline{\text{PD}}$:** Power-down bit
 1 = After power-up or by the `CLRWDT` instruction
 0 = By execution of the `SLEEP` instruction
- bit 2 **z:** Zero bit
 1 = The result of an arithmetic or logic operation is zero
 0 = The result of an arithmetic or logic operation is not zero
- bit 1 **DC:** Digit carry/borrow bit (`ADDWF`, `ADDLW`, `SUBLW`, `SUBWF` instructions)
 1 = A carry-out from the 4th low order bit of the result occurred
 0 = No carry-out from the 4th low order bit of the result
- bit 0 **C:** Carry/borrow bit (`ADDWF`, `ADDLW`, `SUBLW`, `SUBWF` instructions)
 1 = A carry-out from the Most Significant bit of the result occurred
 0 = No carry-out from the Most Significant bit of the result occurred

Note: For $\overline{\text{borrow}}$, the polarity is reversed. A subtraction is executed by adding the two's complement of the second operand. For rotate (`RRF`, `RLF`) instructions, this bit is loaded with either the high or low order bit of the source register.

Legend:

| | | |
|--------------------------|------------------|--|
| R = Readable bit | W = Writable bit | U = Unimplemented bit, read as '0' |
| - n = Value at POR reset | '1' = Bit is set | '0' = Bit is cleared x = Bit is unknown |

PIC16F7X

2.2.2.2 OPTION_REG Register

The OPTION_REG register is a readable and writable register, which contains various control bits to configure the TMR0 prescaler/WDT postscaler (single assignable register known also as the prescaler), the External INT Interrupt, TMR0 and the weak pull-ups on PORTB.

Note: To achieve a 1:1 prescaler assignment for the TMR0 register, assign the prescaler to the Watchdog Timer.

REGISTER 2-2: OPTION_REG REGISTER (ADDRESS 81h, 181h)

| | | | | | | | |
|-------------|--------|-------|-------|-------|-------|-------|-------|
| R/W-1 | R/W-1 | R/W-1 | R/W-1 | R/W-1 | R/W-1 | R/W-1 | R/W-1 |
| <u>RBPU</u> | INTEDG | T0CS | T0SE | PSA | PS2 | PS1 | PS0 |
| bit 7 | | | | | | | bit 0 |

- bit 7 **RBPU:** PORTB Pull-up Enable bit
1 = PORTB pull-ups are disabled
0 = PORTB pull-ups are enabled by individual port latch values
- bit 6 **INTEDG:** Interrupt Edge Select bit
1 = Interrupt on rising edge of RB0/INT pin
0 = Interrupt on falling edge of RB0/INT pin
- bit 5 **T0CS:** TMR0 Clock Source Select bit
1 = Transition on RA4/T0CKI pin
0 = Internal instruction cycle clock (CLKOUT)
- bit 4 **T0SE:** TMR0 Source Edge Select bit
1 = Increment on high-to-low transition on RA4/T0CKI pin
0 = Increment on low-to-high transition on RA4/T0CKI pin
- bit 3 **PSA:** Prescaler Assignment bit
1 = Prescaler is assigned to the WDT
0 = Prescaler is assigned to the Timer0 module
- bit 2-0 **PS2:PS0:** Prescaler Rate Select bits

| Bit Value | TMR0 Rate | WDT Rate |
|-----------|-----------|----------|
| 000 | 1 : 2 | 1 : 1 |
| 001 | 1 : 4 | 1 : 2 |
| 010 | 1 : 8 | 1 : 4 |
| 011 | 1 : 16 | 1 : 8 |
| 100 | 1 : 32 | 1 : 16 |
| 101 | 1 : 64 | 1 : 32 |
| 110 | 1 : 128 | 1 : 64 |
| 111 | 1 : 256 | 1 : 128 |

Legend:

R = Readable bit W = Writable bit U = Unimplemented bit, read as '0'
 - n = Value at POR reset '1' = Bit is set '0' = Bit is cleared x = Bit is unknown

2.2.2.3 INTCON Register

The INTCON register is a readable and writable register, which contains various enable and flag bits for the TMR0 register overflow, RB Port change and External RB0/INT pin interrupts.

Note: Interrupt flag bits are set when an interrupt condition occurs, regardless of the state of its corresponding enable bit or the global enable bit, GIE (INTCON<7>). User software should ensure the appropriate interrupt flag bits are clear prior to enabling an interrupt.

REGISTER 2-3: INTCON REGISTER (ADDRESS 0Bh, 8Bh, 10Bh, 18Bh)

| | | | | | | | |
|-------|-------|--------|-------|-------|--------|-------|-------|
| R/W-0 | R/W-0 | R/W-0 | R/W-0 | R/W-0 | R/W-0 | R/W-0 | R/W-x |
| GIE | PEIE | TMR0IE | INTE | RBIE | TMR0IF | INTF | RBIF |
| bit 7 | | | | | | | bit 0 |

- bit 7 **GIE:** Global Interrupt Enable bit
1 = Enables all unmasked interrupts
0 = Disables all interrupts
- bit 6 **PEIE:** Peripheral Interrupt Enable bit
1 = Enables all unmasked peripheral interrupts
0 = Disables all peripheral interrupts
- bit 5 **TMR0IE:** TMR0 Overflow Interrupt Enable bit
1 = Enables the TMR0 interrupt
0 = Disables the TMR0 interrupt
- bit 4 **INTE:** RB0/INT External Interrupt Enable bit
1 = Enables the RB0/INT external interrupt
0 = Disables the RB0/INT external interrupt
- bit 3 **RBIE:** RB Port Change Interrupt Enable bit
1 = Enables the RB port change interrupt
0 = Disables the RB port change interrupt
- bit 2 **TMR0IF:** TMR0 Overflow Interrupt Flag bit
1 = TMR0 register has overflowed (must be cleared in software)
0 = TMR0 register did not overflow
- bit 1 **INTF:** RB0/INT External Interrupt Flag bit
1 = The RB0/INT external interrupt occurred (must be cleared in software)
0 = The RB0/INT external interrupt did not occur
- bit 0 **RBIF:** RB Port Change Interrupt Flag bit
A mismatch condition will continue to set flag bit RBIF. Reading PORTB will end the mismatch condition and allow flag bit RBIF to be cleared.
1 = At least one of the RB7:RB4 pins changed state (must be cleared in software)
0 = None of the RB7:RB4 pins have changed state

Legend:

R = Readable bit W = Writable bit U = Unimplemented bit, read as '0'
 - n = Value at POR reset '1' = Bit is set '0' = Bit is cleared x = Bit is unknown

PIC16F7X

2.2.2.4 PIE1 Register

The PIE1 register contains the individual enable bits for the peripheral interrupts.

Note: Bit PEIE (INTCON<6>) must be set to enable any peripheral interrupt.

REGISTER 2-4: PIE1 REGISTER (ADDRESS 8Ch)

| | | | | | | | |
|----------------------|-------|-------|-------|-------|--------|--------|--------|
| R/W-0 | R/W-0 | R/W-0 | R/W-0 | R/W-0 | R/W-0 | R/W-0 | R/W-0 |
| PSPIE ⁽¹⁾ | ADIE | RCIE | TXIE | SSPIE | CCP1IE | TMR2IE | TMR1IE |
| bit 7 | | | | | | bit 0 | |

- bit 7 **PSPIE⁽¹⁾**: Parallel Slave Port Read/Write Interrupt Enable bit
 1 = Enables the PSP read/write interrupt
 0 = Disables the PSP read/write interrupt
- bit 6 **ADIE**: A/D Converter Interrupt Enable bit
 1 = Enables the A/D converter interrupt
 0 = Disables the A/D converter interrupt
- bit 5 **RCIE**: USART Receive Interrupt Enable bit
 1 = Enables the USART receive interrupt
 0 = Disables the USART receive interrupt
- bit 4 **TXIE**: USART Transmit Interrupt Enable bit
 1 = Enables the USART transmit interrupt
 0 = Disables the USART transmit interrupt
- bit 3 **SSPIE**: Synchronous Serial Port Interrupt Enable bit
 1 = Enables the SSP interrupt
 0 = Disables the SSP interrupt
- bit 2 **CCP1IE**: CCP1 Interrupt Enable bit
 1 = Enables the CCP1 interrupt
 0 = Disables the CCP1 interrupt
- bit 1 **TMR2IE**: TMR2 to PR2 Match Interrupt Enable bit
 1 = Enables the TMR2 to PR2 match interrupt
 0 = Disables the TMR2 to PR2 match interrupt
- bit 0 **TMR1IE**: TMR1 Overflow Interrupt Enable bit
 1 = Enables the TMR1 overflow interrupt
 0 = Disables the TMR1 overflow interrupt

Note 1: PSPIE is reserved on 28-pin devices; always maintain this bit clear.

Legend:

| | | |
|--------------------------|------------------|--|
| R = Readable bit | W = Writable bit | U = Unimplemented bit, read as '0' |
| - n = Value at POR reset | '1' = Bit is set | '0' = Bit is cleared x = Bit is unknown |

2.2.2.5 PIR1 Register

The PIR1 register contains the individual flag bits for the peripheral interrupts.

Note: Interrupt flag bits are set when an interrupt condition occurs, regardless of the state of its corresponding enable bit or the global enable bit, GIE (INTCON<7>). User software should ensure the appropriate interrupt bits are clear prior to enabling an interrupt.

REGISTER 2-5: PIR1 REGISTER (ADDRESS 0Ch)

| | | | | | | | |
|----------------------|-------|------|------|-------|--------|--------|--------|
| R/W-0 | R/W-0 | R-0 | R-0 | R/W-0 | R/W-0 | R/W-0 | R/W-0 |
| PSPIF ⁽¹⁾ | ADIF | RCIF | TXIF | SSPIF | CCP1IF | TMR2IF | TMR1IF |
| bit 7 | | | | bit 0 | | | |

- bit 7 **PSPIF⁽¹⁾:** Parallel Slave Port Read/Write Interrupt Flag bit
 1 = A read or a write operation has taken place (must be cleared in software)
 0 = No read or write has occurred
- bit 6 **ADIF:** A/D Converter Interrupt Flag bit
 1 = An A/D conversion is completed (must be cleared in software)
 0 = The A/D conversion is not complete
- bit 5 **RCIF:** USART Receive Interrupt Flag bit
 1 = The USART receive buffer is full
 0 = The USART receive buffer is empty
- bit 4 **TXIF:** USART Transmit Interrupt Flag bit
 1 = The USART transmit buffer is empty
 0 = The USART transmit buffer is full
- bit 3 **SSPIF:** Synchronous Serial Port (SSP) Interrupt Flag
 1 = The SSP interrupt condition has occurred, and must be cleared in software before returning from the Interrupt Service Routine. The conditions that will set this bit are:
 SPI
 A transmission/reception has taken place.
 I²C Slave
 A transmission/reception has taken place.
 I²C Master
 A transmission/reception has taken place.
 The initiated START condition was completed by the SSP module.
 The initiated STOP condition was completed by the SSP module.
 The initiated Restart condition was completed by the SSP module.
 The initiated Acknowledge condition was completed by the SSP module.
 A START condition occurred while the SSP module was IDLE (multi-master system).
 A STOP condition occurred while the SSP module was IDLE (multi-master system).
 0 = No SSP interrupt condition has occurred
- bit 2 **CCP1IF:** CCP1 Interrupt Flag bit
Capture mode:
 1 = A TMR1 register capture occurred (must be cleared in software)
 0 = No TMR1 register capture occurred
Compare mode:
 1 = A TMR1 register compare match occurred (must be cleared in software)
 0 = No TMR1 register compare match occurred
PWM mode:
 Unused in this mode
- bit 1 **TMR2IF:** TMR2 to PR2 Match Interrupt Flag bit
 1 = TMR2 to PR2 match occurred (must be cleared in software)
 0 = No TMR2 to PR2 match occurred
- bit 0 **TMR1IF:** TMR1 Overflow Interrupt Flag bit
 1 = TMR1 register overflowed (must be cleared in software)
 0 = TMR1 register did not overflow
- Note 1:** PSPIF is reserved on 28-pin devices; always maintain this bit clear.

Legend:

| | | |
|--------------------------|------------------|--|
| R = Readable bit | W = Writable bit | U = Unimplemented bit, read as '0' |
| - n = Value at POR reset | '1' = Bit is set | '0' = Bit is cleared x = Bit is unknown |

PIC16F7X

2.2.2.6 PIE2 Register

The PIE2 register contains the individual enable bits for the CCP2 peripheral interrupt.

REGISTER 2-6: PIE2 REGISTER (ADDRESS 8Dh)

| | | | | | | | |
|-------|-----|-----|-----|-----|-----|-----|--------|
| U-0 | U-0 | U-0 | U-0 | U-0 | U-0 | U-0 | R/W-0 |
| — | — | — | — | — | — | — | CCP2IE |
| bit 7 | | | | | | | bit 0 |

bit 7-1 **Unimplemented:** Read as '0'
bit 0 **CCP2IE:** CCP2 Interrupt Enable bit
1 = Enables the CCP2 interrupt
0 = Disables the CCP2 interrupt

| | | | |
|--------------------------|------------------|------------------------------------|--------------------|
| Legend: | | | |
| R = Readable bit | W = Writable bit | U = Unimplemented bit, read as '0' | |
| - n = Value at POR reset | '1' = Bit is set | '0' = Bit is cleared | x = Bit is unknown |

2.2.2.7 PIR2 Register

The PIR2 register contains the flag bits for the CCP2 interrupt.

Note: Interrupt flag bits are set when an interrupt condition occurs, regardless of the state of its corresponding enable bit or the global enable bit, GIE (INTCON<7>). User software should ensure the appropriate interrupt flag bits are clear prior to enabling an interrupt.

REGISTER 2-7: PIR2 REGISTER (ADDRESS 0Dh)

| | | | | | | | |
|-------|-----|-----|-----|-----|-----|-----|--------|
| U-0 | U-0 | U-0 | U-0 | U-0 | U-0 | U-0 | R/W-0 |
| — | — | — | — | — | — | — | CCP2IF |
| bit 7 | | | | | | | bit 0 |

bit 7-1 **Unimplemented:** Read as '0'
bit 0 **CCP2IF:** CCP2 Interrupt Flag bit
Capture mode:
1 = A TMR1 register capture occurred (must be cleared in software)
0 = No TMR1 register capture occurred
Compare mode:
1 = A TMR1 register compare match occurred (must be cleared in software)
0 = No TMR1 register compare match occurred
PWM mode:
Unused

| | | | |
|--------------------------|------------------|------------------------------------|--------------------|
| Legend: | | | |
| R = Readable bit | W = Writable bit | U = Unimplemented bit, read as '0' | |
| - n = Value at POR reset | '1' = Bit is set | '0' = Bit is cleared | x = Bit is unknown |

2.2.2.8 PCON Register

The Power Control (PCON) register contains flag bits to allow differentiation between a Power-on Reset (POR), a Brown-out Reset (BOR), a Watchdog Reset (WDT) and an external MCLR Reset.

Note: BOR is unknown on POR. It must be set by the user and checked on subsequent RESETS to see if BOR is clear, indicating a brown-out has occurred. The BOR status bit is not predictable if the brown-out circuit is disabled (by clearing the BODEN bit in the configuration word).

REGISTER 2-8: PCON REGISTER (ADDRESS 8Eh)

| | | | | | | | | |
|--|-------|-----|-----|-----|-----|-----|-------|-------|
| | U-0 | U-0 | U-0 | U-0 | U-0 | U-0 | R/W-0 | R/W-1 |
| | — | — | — | — | — | — | POR | BOR |
| | bit 7 | | | | | | | bit 0 |

bit 7-2 **Unimplemented:** Read as '0'

bit 1 **POR:** Power-on Reset Status bit

1 = No Power-on Reset occurred

0 = A Power-on Reset occurred (must be set in software after a Power-on Reset occurs)

bit 0 **BOR:** Brown-out Reset Status bit

1 = No Brown-out Reset occurred

0 = A Brown-out Reset occurred (must be set in software after a Brown-out Reset occurs)

Legend:

R = Readable bit

W = Writable bit

U = Unimplemented bit, read as '0'

- n = Value at POR reset

'1' = Bit is set

'0' = Bit is cleared

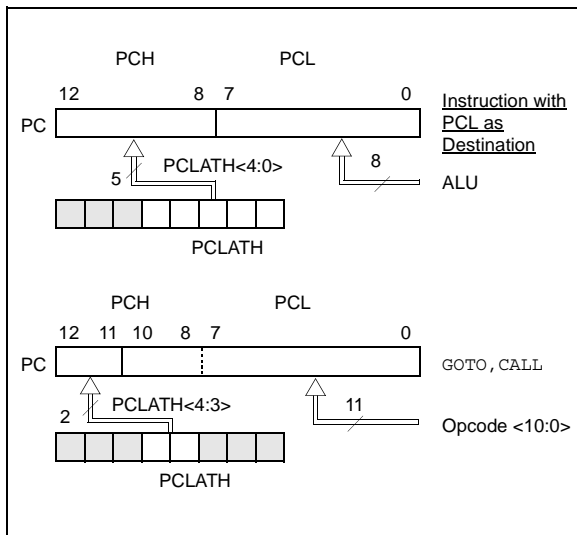
x = Bit is unknown

PIC16F7X

2.3 PCL and PCLATH

The program counter (PC) is 13 bits wide. The low byte comes from the PCL register, which is a readable and writable register. The upper bits (PC<12:8>) are not readable, but are indirectly writable through the PCLATH register. On any RESET, the upper bits of the PC will be cleared. Figure 2-4 shows the two situations for the loading of the PC. The upper example in the figure shows how the PC is loaded on a write to PCL (PCLATH<4:0> → PCH). The lower example in the figure shows how the PC is loaded during a CALL or GOTO instruction (PCLATH<4:3> → PCH).

FIGURE 2-4: LOADING OF PC IN DIFFERENT SITUATIONS



2.3.1 COMPUTED GOTO

A computed GOTO is accomplished by adding an offset to the program counter (ADDWF PCL). When doing a table read using a computed GOTO method, care should be exercised if the table location crosses a PCL memory boundary (each 256 byte block). Refer to the Application Note, "Implementing a Table Read" (AN556).

2.3.2 STACK

The PIC16F7X family has an 8-level deep x 13-bit wide hardware stack. The stack space is not part of either program or data space and the stack pointer is not readable or writable. The PC is PUSHed onto the stack when a CALL instruction is executed, or an interrupt causes a branch. The stack is POPed in the event of a RETURN, RETLW or a RETFIE instruction execution. PCLATH is not affected by a PUSH or POP operation.

The stack operates as a circular buffer. This means that after the stack has been PUSHed eight times, the ninth push overwrites the value that was stored from the first push. The tenth push overwrites the second push (and so on).

Note 1: There are no status bits to indicate stack overflow or stack underflow conditions.

2: There are no instructions/mnemonics called PUSH or POP. These are actions that occur from the execution of the CALL, RETURN, RETLW and RETFIE instructions, or the vectoring to an interrupt address.

2.4 Program Memory Paging

PIC16F7X devices are capable of addressing a continuous 8K word block of program memory. The CALL and GOTO instructions provide only 11 bits of address to allow branching within any 2K program memory page. When doing a CALL or GOTO instruction, the upper 2 bits of the address are provided by PCLATH<4:3>. When doing a CALL or GOTO instruction, the user must ensure that the page select bits are programmed so that the desired program memory page is addressed. If a return from a CALL instruction (or interrupt) is executed, the entire 13-bit PC is popped off the stack. Therefore, manipulation of the PCLATH<4:3> bits are not required for the RETURN instructions (which POPs the address from the stack).

Note: The contents of the PCLATH are unchanged after a RETURN or RETFIE instruction is executed. The user must setup the PCLATH for any subsequent CALLS or GOTOS.

Example 2-1 shows the calling of a subroutine in page 1 of the program memory. This example assumes that PCLATH is saved and restored by the Interrupt Service Routine (if interrupts are used).

EXAMPLE 2-1: CALL OF A SUBROUTINE IN PAGE 1 FROM PAGE 0

```

ORG 0x500
BCF PCLATH,4
BSF PCLATH,3 ;Select page 1
                ;(800h-FFFh)
CALL SUB1_P1 ;Call subroutine in
:            ;page 1 (800h-FFFh)
:
ORG 0x900 ;page 1 (800h-FFFh)
SUB1_P1
:            ;called subroutine
:            ;page 1 (800h-FFFh)
:
RETURN ;return to Call
                ;subroutine in page 0
                ;(000h-7FFh)
    
```

2.5 Indirect Addressing, INDF and FSR Registers

The INDF register is not a physical register. Addressing the INDF register will cause indirect addressing.

Indirect addressing is possible by using the INDF register. Any instruction using the INDF register actually accesses the register pointed to by the File Select Register, FSR. Reading the INDF register itself indirectly (FSR = '0') will read 00h. Writing to the INDF register indirectly results in a no operation (although status bits may be affected). An effective 9-bit address is obtained by concatenating the 8-bit FSR register and the IRP bit (STATUS<7>), as shown in Figure 2-5.

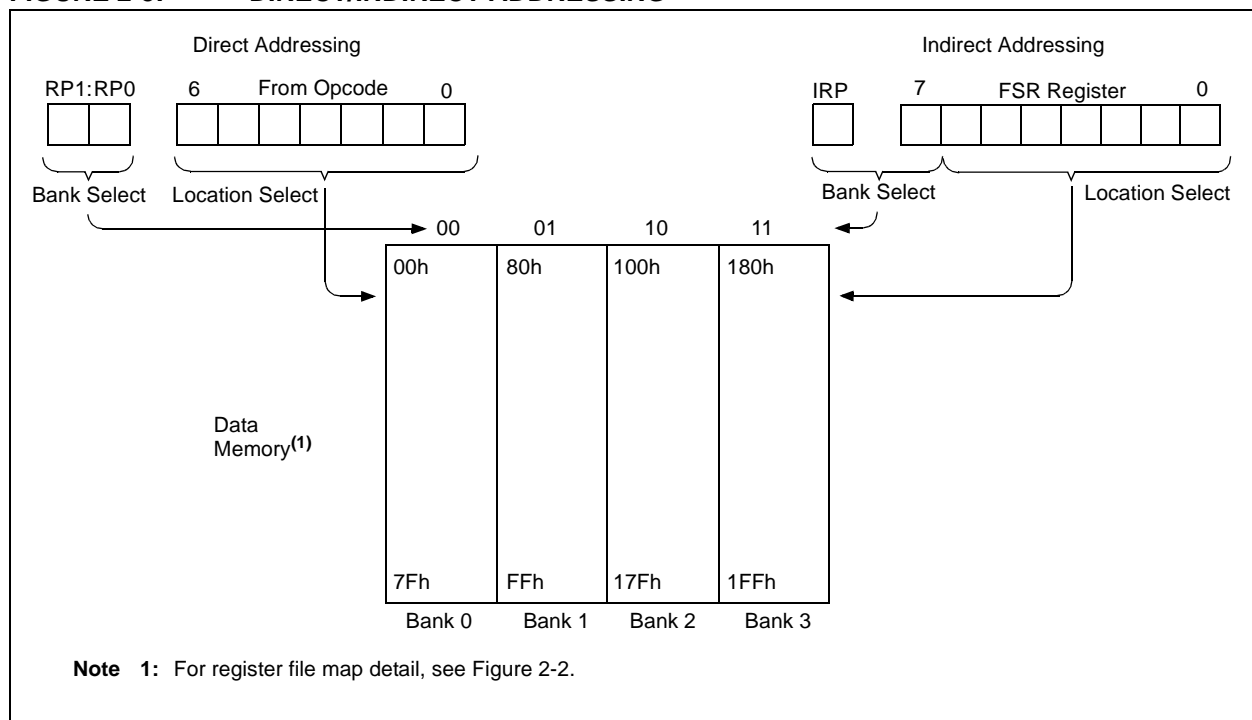
A simple program to clear RAM locations 20h-2Fh using indirect addressing is shown in Example 2-2.

EXAMPLE 2-2: INDIRECT ADDRESSING

```

MOV LW 0x20 ;initialize pointer
MOV WF FSR ;to RAM
NEXT   CLRF INDF ;clear INDF register
       INCF FSR,F ;inc pointer
       BTFS FSR,4 ;all done?
       GOTO NEXT ;no clear next
CONTINUE
:      ;yes continue
    
```

FIGURE 2-5: DIRECT/INDIRECT ADDRESSING



PIC16F7X

NOTES:

3.0 READING PROGRAM MEMORY

The FLASH Program Memory is readable during normal operation over the entire VDD range. It is indirectly addressed through Special Function Registers (SFR). Up to 14-bit numbers can be stored in memory for use as calibration parameters, serial numbers, packed 7-bit ASCII, etc. Executing a program memory location containing data that forms an invalid instruction results in a NOP.

There are five SFRs used to read the program and memory. These registers are:

- PMCON1
- PMDATA
- PMDATH
- PMADR
- PMADRH

The program memory allows word reads. Program memory access allows for checksum calculation and reading calibration tables.

When interfacing to the program memory block, the PMDATH:PMDATA registers form a two-byte word, which holds the 14-bit data for reads. The PMADRH:PMADR registers form a two-byte word, which holds the 13-bit address of the FLASH location being accessed. These devices can have up to 8K words of program FLASH, with an address range from 0h to 3FFFh. The unused upper bits in both the PMDATH and PMADRH registers are not implemented and read as "0's".

3.1 PMADR

The address registers can address up to a maximum of 8K words of program FLASH.

When selecting a program address value, the MSByte of the address is written to the PMADRH register and the LSByte is written to the PMADR register. The upper MSbits of PMADRH must always be clear.

3.2 PMCON1 Register

PMCON1 is the control register for memory accesses.

The control bit RD initiates read operations. This bit cannot be cleared, only set, in software. It is cleared in hardware at the completion of the read operation.

REGISTER 3-1: PMCON1 REGISTER (ADDRESS 18Ch)

| | | | | | | | |
|----------|-----|-----|-----|-----|-----|-----|-------|
| R-1 | U-0 | U-0 | U-0 | U-x | U-0 | U-0 | R/S-0 |
| reserved | — | — | — | — | — | — | RD |
| bit 7 | | | | | | | bit 0 |

bit 7 **Reserved:** Read as '1'

bit 6-1 **Unimplemented:** Read as '0'

bit 0 **RD:** Read Control bit

1 = Initiates a FLASH read, RD is cleared in hardware. The RD bit can only be set (not cleared) in software.

0 = FLASH read completed

Legend:

| | | |
|--------------------------|------------------|--|
| R = Readable bit | W = Writable bit | U = Unimplemented bit, read as '0' |
| - n = Value at POR reset | '1' = Bit is set | '0' = Bit is cleared x = Bit is unknown |

PIC16F7X

3.3 Reading the FLASH Program Memory

A program memory location may be read by writing two bytes of the address to the PMADR and PMADRH registers and then setting control bit RD (PMCON1<0>). Once the read control bit is set, the microcontroller will use the next two instruction cycles to read the data. The data is available in the PMDATA and PMDATH registers after the second NOP instruction. Therefore, it can be read as two bytes in the following instructions. The PMDATA and PMDATH registers will hold this value until the next read operation.

3.4 Operation During Code Protect

FLASH program memory has its own code protect mechanism. External Read and Write operations by programmers are disabled if this mechanism is enabled.

The microcontroller can read and execute instructions out of the internal FLASH program memory, regardless of the state of the code protect configuration bits.

EXAMPLE 3-1: FLASH PROGRAM READ

| | | | |
|--------------------------|-------|-------------|---|
| | BSF | STATUS, RP1 | ; |
| | BCF | STATUS, RP0 | ; Bank 2 |
| | MOVF | ADDRH, W | ; |
| | MOVWF | PMADRH | ; MSByte of Program Address to read |
| | MOVF | ADDRL, W | ; |
| | MOVWF | PMADR | ; LSByte of Program Address to read |
| | BSF | STATUS, RP0 | ; Bank 3 Required |
| Required Sequence | BSF | PMCON1, RD | ; EEPROM Read Sequence |
| | NOP | | ; memory is read in the next two cycles after BSF PMCON1,RD |
| | NOP | | ; |
| | BCF | STATUS, RP0 | ; Bank 2 |
| | MOVF | PMDATA, W | ; W = LSByte of Program PMDATA |
| | MOVF | PMDATH, W | ; W = MSByte of Program PMDATA |

TABLE 3-1: REGISTERS ASSOCIATED WITH PROGRAM FLASH

| Address | Name | Bit 7 | Bit 6 | Bit 5 | Bit 4 | Bit 3 | Bit 2 | Bit 1 | Bit 0 | Value on: POR, BOR | Value on all other RESETS | |
|---------|--------|---------------------------|-------|-------------------------|----------------------------|-------|-------|-------|-------|--------------------|---------------------------|-----------|
| 10Dh | PMADR | Address Register Low Byte | | | | | | | | xxxx xxxx | uuuu uuuu | |
| 10Fh | PMADRH | — | — | — | Address Register High Byte | | | | | | xxxx xxxx | uuuu uuuu |
| 10Ch | PMDATA | Data Register Low Byte | | | | | | | | xxxx xxxx | uuuu uuuu | |
| 10Eh | PMDATH | — | — | Data Register High Byte | | | | | | xxxx xxxx | uuuu uuuu | |
| 18Ch | PMCON1 | — ⁽¹⁾ | — | — | — | — | — | — | RD | 1--- ---0 | 1--- ---0 | |

Legend: x = unknown, u = unchanged, r = reserved, - = unimplemented read as '0'. Shaded cells are not used during FLASH access.

Note 1: This bit always reads as a '1'.

PIC16F7X

TABLE 4-1: PORTA FUNCTIONS

| Name | Bit# | Buffer | Function |
|---------------------------|------|--------|---|
| RA0/AN0 | bit0 | TTL | Input/output or analog input. |
| RA1/AN1 | bit1 | TTL | Input/output or analog input. |
| RA2/AN2 | bit2 | TTL | Input/output or analog input. |
| RA3/AN3/VREF | bit3 | TTL | Input/output or analog input or VREF. |
| RA4/T0CKI | bit4 | ST | Input/output or external clock input for Timer0. Output is open drain type. |
| RA5/ \overline{SS} /AN4 | bit5 | TTL | Input/output or slave select input for synchronous serial port or analog input. |

Legend: TTL = TTL input, ST = Schmitt Trigger input

TABLE 4-2: SUMMARY OF REGISTERS ASSOCIATED WITH PORTA

| Address | Name | Bit 7 | Bit 6 | Bit 5 | Bit 4 | Bit 3 | Bit 2 | Bit 1 | Bit 0 | Value on: POR, BOR | Value on all other RESETS |
|---------|--------|-------|-------|-------------------------------|-------|-------|-------|-------|-------|--------------------------|---------------------------------|
| 05h | PORTA | — | — | RA5 | RA4 | RA3 | RA2 | RA1 | RA0 | --0x 0000 | --0u 0000 |
| 85h | TRISA | — | — | PORTA Data Direction Register | | | | | | --11 1111 | --11 1111 |
| 9Fh | ADCON1 | — | — | — | — | — | PCFG2 | PCFG1 | PCFG0 | ---- -000 | ---- -000 |

Legend: x = unknown, u = unchanged, - = unimplemented locations read as '0'. Shaded cells are not used by PORTA.

Note: When using the SSP module in SPI Slave mode and \overline{SS} enabled, the A/D converter must be set to one of the following modes where PCFG2:PCFG0 = 100, 101, 11x.

PIC16F7X

TABLE 4-3: PORTB FUNCTIONS

| Name | Bit# | Buffer | Function |
|---------|------|-----------------------|---|
| RB0/INT | bit0 | TTL/ST ⁽¹⁾ | Input/output pin or external interrupt input. Internal software programmable weak pull-up. |
| RB1 | bit1 | TTL | Input/output pin. Internal software programmable weak pull-up. |
| RB2 | bit2 | TTL | Input/output pin. Internal software programmable weak pull-up. |
| RB3 | bit3 | TTL | Input/output pin. Internal software programmable weak pull-up. |
| RB4 | bit4 | TTL | Input/output pin (with interrupt-on-change). Internal software programmable weak pull-up. |
| RB5 | bit5 | TTL | Input/output pin (with interrupt-on-change). Internal software programmable weak pull-up. |
| RB6 | bit6 | TTL/ST ⁽²⁾ | Input/output pin (with interrupt-on-change). Internal software programmable weak pull-up. Serial programming clock. |
| RB7 | bit7 | TTL/ST ⁽²⁾ | Input/output pin (with interrupt-on-change). Internal software programmable weak pull-up. Serial programming data. |

Legend: TTL = TTL input, ST = Schmitt Trigger input

Note 1: This buffer is a Schmitt Trigger input when configured as the external interrupt.

2: This buffer is a Schmitt Trigger input when used in Serial Programming mode.

TABLE 4-4: SUMMARY OF REGISTERS ASSOCIATED WITH PORTB

| Address | Name | Bit 7 | Bit 6 | Bit 5 | Bit 4 | Bit 3 | Bit 2 | Bit 1 | Bit 0 | Value on: POR, BOR | Value on all other RESETS |
|-----------|------------|-------------------------------|--------|-------|-------|-------|-------|-------|-------|--------------------------|---------------------------------|
| 06h, 106h | PORTB | RB7 | RB6 | RB5 | RB4 | RB3 | RB2 | RB1 | RB0 | xxxx xxxx | uuuu uuuu |
| 86h, 186h | TRISB | PORTB Data Direction Register | | | | | | | | 1111 1111 | 1111 1111 |
| 81h, 181h | OPTION_REG | RBPU | INTEDG | T0CS | T0SE | PSA | PS2 | PS1 | PS0 | 1111 1111 | 1111 1111 |

Legend: x = unknown, u = unchanged. Shaded cells are not used by PORTB.

4.3 PORTC and the TRISC Register

PORTC is an 8-bit wide, bi-directional port. The corresponding data direction register is TRISC. Setting a TRISC bit (= '1') will make the corresponding PORTC pin an input (i.e., put the corresponding output driver in a Hi-Impedance mode). Clearing a TRISC bit (= '0') will make the corresponding PORTC pin an output (i.e., put the contents of the output latch on the selected pin).

PORTC is multiplexed with several peripheral functions (Table 4-5). PORTC pins have Schmitt Trigger input buffers.

When enabling peripheral functions, care should be taken in defining TRIS bits for each PORTC pin. Some peripherals override the TRIS bit to make a pin an output, while other peripherals override the TRIS bit to make a pin an input. Since the TRIS bit override is in effect while the peripheral is enabled, read-modify-write instructions (BSF, BCF, XORWF) with TRISC as destination should be avoided. The user should refer to the corresponding peripheral section for the correct TRIS bit settings, and to Section 13.1 for additional information on read-modify-write operations.

FIGURE 4-5: PORTC BLOCK DIAGRAM (PERIPHERAL OUTPUT OVERRIDE)

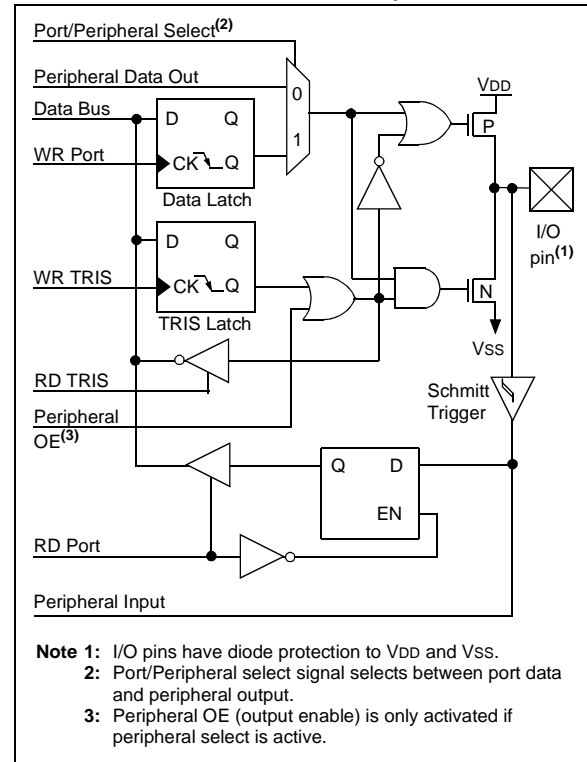


TABLE 4-5: PORTC FUNCTIONS

| Name | Bit# | Buffer Type | Function |
|-----------------|------|-------------|---|
| RC0/T1OSO/T1CKI | bit0 | ST | Input/output port pin or Timer1 oscillator output/Timer1 clock input. |
| RC1/T1OSI/CCP2 | bit1 | ST | Input/output port pin or Timer1 oscillator input or Capture2 input/Compare2 output/PWM2 output. |
| RC2/CCP1 | bit2 | ST | Input/output port pin or Capture1 input/Compare1 output/PWM1 output. |
| RC3/SCK/SCL | bit3 | ST | RC3 can also be the synchronous serial clock for both SPI and I ² C modes. |
| RC4/SDI/SDA | bit4 | ST | RC4 can also be the SPI Data In (SPI mode) or Data I/O (I ² C mode). |
| RC5/SDO | bit5 | ST | Input/output port pin or Synchronous Serial Port data output. |
| RC6/TX/CK | bit6 | ST | Input/output port pin or USART Asynchronous Transmit or Synchronous Clock. |
| RC7/RX/DT | bit7 | ST | Input/output port pin or USART Asynchronous Receive or Synchronous Data. |

Legend: ST = Schmitt Trigger input

TABLE 4-6: SUMMARY OF REGISTERS ASSOCIATED WITH PORTC

| Address | Name | Bit 7 | Bit 6 | Bit 5 | Bit 4 | Bit 3 | Bit 2 | Bit 1 | Bit 0 | Value on: POR, BOR | Value on all other RESETS |
|---------|-------|-------------------------------|-------|-------|-------|-------|-------|-------|-------|--------------------|---------------------------|
| 07h | PORTC | RC7 | RC6 | RC5 | RC4 | RC3 | RC2 | RC1 | RC0 | xxxx xxxx | uuuu uuuu |
| 87h | TRISC | PORTC Data Direction Register | | | | | | | | 1111 1111 | 1111 1111 |

Legend: x = unknown, u = unchanged

PIC16F7X

4.4 PORTD and TRISD Registers

This section is not applicable to the PIC16F73 or PIC16F76.

PORTD is an 8-bit port with Schmitt Trigger input buffers. Each pin is individually configureable as an input or output.

PORTD can be configured as an 8-bit wide micro-processor port (parallel slave port) by setting control bit PSPMODE (TRISE<4>). In this mode, the input buffers are TTL.

FIGURE 4-6: PORTD BLOCK DIAGRAM (IN I/O PORT MODE)

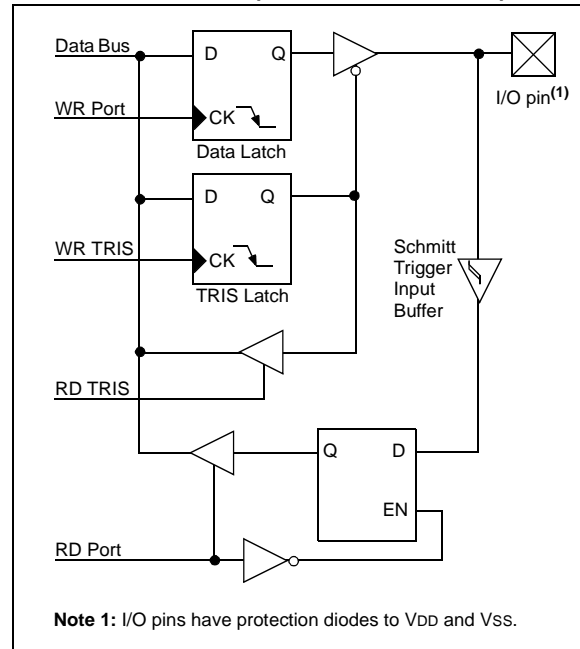


TABLE 4-7: PORTD FUNCTIONS

| Name | Bit# | Buffer Type | Function |
|----------|------|-----------------------|---|
| RD0/PSP0 | bit0 | ST/TTL ⁽¹⁾ | Input/output port pin or parallel slave port bit0 |
| RD1/PSP1 | bit1 | ST/TTL ⁽¹⁾ | Input/output port pin or parallel slave port bit1 |
| RD2/PSP2 | bit2 | ST/TTL ⁽¹⁾ | Input/output port pin or parallel slave port bit2 |
| RD3/PSP3 | bit3 | ST/TTL ⁽¹⁾ | Input/output port pin or parallel slave port bit3 |
| RD4/PSP4 | bit4 | ST/TTL ⁽¹⁾ | Input/output port pin or parallel slave port bit4 |
| RD5/PSP5 | bit5 | ST/TTL ⁽¹⁾ | Input/output port pin or parallel slave port bit5 |
| RD6/PSP6 | bit6 | ST/TTL ⁽¹⁾ | Input/output port pin or parallel slave port bit6 |
| RD7/PSP7 | bit7 | ST/TTL ⁽¹⁾ | Input/output port pin or parallel slave port bit7 |

Legend: ST = Schmitt Trigger input, TTL = TTL input

Note 1: Input buffers are Schmitt Triggers when in I/O mode and TTL buffers when in Parallel Slave Port mode.

TABLE 4-8: SUMMARY OF REGISTERS ASSOCIATED WITH PORTD

| Address | Name | Bit 7 | Bit 6 | Bit 5 | Bit 4 | Bit 3 | Bit 2 | Bit 1 | Bit 0 | Value on: POR, BOR | Value on all other RESETS |
|---------|-------|-------------------------------|-------|-------|---------|-------|---------------------------|-------|-------|--------------------|---------------------------|
| 08h | PORTD | RD7 | RD6 | RD5 | RD4 | RD3 | RD2 | RD1 | RD0 | xxxx xxxx | uuuu uuuu |
| 88h | TRISD | PORTD Data Direction Register | | | | | | | | 1111 1111 | 1111 1111 |
| 89h | TRISE | IBF | OBF | IBOV | PSPMODE | — | PORTE Data Direction bits | | | 0000 -111 | 0000 -111 |

Legend: x = unknown, u = unchanged, - = unimplemented read as '0'. Shaded cells are not used by PORTD.

4.5 PORTE and TRISE Register

This section is not applicable to the PIC16F73 or PIC16F76.

PORTE has three pins, RE0/ \overline{RD} /AN5, RE1/ \overline{WR} /AN6 and RE2/ \overline{CS} /AN7, which are individually configurable as inputs or outputs. These pins have Schmitt Trigger input buffers.

I/O PORTE becomes control inputs for the micro-processor port when bit PSPMODE (TRISE<4>) is set. In this mode, the user must make sure that the TRISE<2:0> bits are set (pins are configured as digital inputs). Ensure ADCON1 is configured for digital I/O. In this mode, the input buffers are TTL.

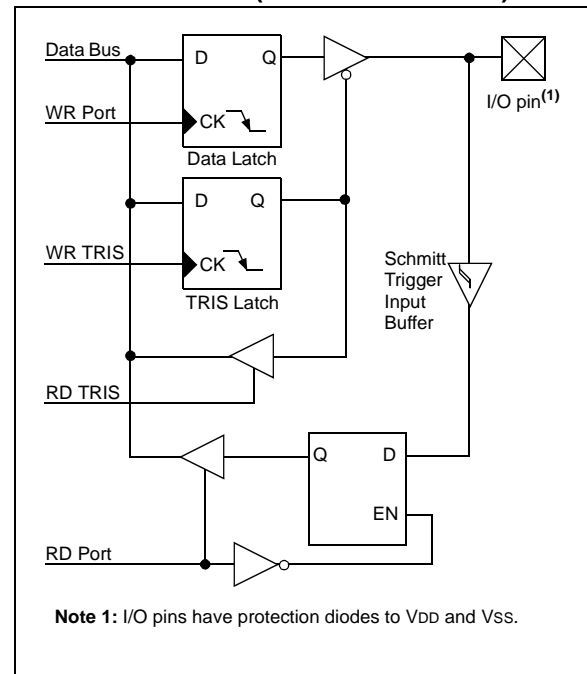
Register 4-1 shows the TRISE register, which also controls the parallel slave port operation.

PORTE pins are multiplexed with analog inputs. When selected as an analog input, these pins will read as '0's.

TRISE controls the direction of the RE pins, even when they are being used as analog inputs. The user must make sure to keep the pins configured as inputs when using them as analog inputs.

Note: On a Power-on Reset, these pins are configured as analog inputs and read as '0'.

FIGURE 4-7: PORTE BLOCK DIAGRAM (IN I/O PORT MODE)



PIC16F7X

REGISTER 4-1: TRISE REGISTER (ADDRESS 89h)

| | | | | | | | |
|-----|-----|-------|---------|-----|-------|-------|-------|
| R-0 | R-0 | R/W-0 | R/W-0 | U-0 | R/W-1 | R/W-1 | R/W-1 |
| IBF | OBF | IBOV | PSPMODE | — | Bit2 | Bit1 | Bit0 |

bit 7

bit 0

bit 7 **Parallel Slave Port Status/Control bits:**

IBF: Input Buffer Full Status bit

- 1 = A word has been received and is waiting to be read by the CPU
- 0 = No word has been received

bit 6 **OBF:** Output Buffer Full Status bit

- 1 = The output buffer still holds a previously written word
- 0 = The output buffer has been read

bit 5 **IBOV:** Input Buffer Overflow Detect bit (in Microprocessor mode)

- 1 = A write occurred when a previously input word has not been read (must be cleared in software)
- 0 = No overflow occurred

bit 4 **PSPMODE:** Parallel Slave Port Mode Select bit

- 1 = Parallel Slave Port mode
- 0 = General Purpose I/O mode

bit 3 **Unimplemented:** Read as '0'

bit 2 **PORTE Data Direction bits:**

Bit2: Direction Control bit for pin RE2/ \overline{CS} /AN7

- 1 = Input
- 0 = Output

bit 1 **Bit1:** Direction Control bit for pin RE1/ \overline{WR} /AN6

- 1 = Input
- 0 = Output

bit 0 **Bit0:** Direction Control bit for pin RE0/ \overline{RD} /AN5

- 1 = Input
- 0 = Output

Legend:

| | | |
|--------------------------|------------------|--|
| R = Readable bit | W = Writable bit | U = Unimplemented bit, read as '0' |
| - n = Value at POR reset | '1' = Bit is set | '0' = Bit is cleared x = Bit is unknown |

TABLE 4-9: PORTE FUNCTIONS

| Name | Bit# | Buffer Type | Function |
|---------------------------|------|-----------------------|--|
| RE0/ \overline{RD} /AN5 | bit0 | ST/TTL ⁽¹⁾ | Input/output port pin or read control input in Parallel Slave Port mode or analog input. For \overline{RD} (PSP mode): 1 = IDLE 0 = Read operation. Contents of PORTD register output to PORTD I/O pins (if chip selected). |
| RE1/ \overline{WR} /AN6 | bit1 | ST/TTL ⁽¹⁾ | Input/output port pin or write control input in Parallel Slave Port mode or analog input. For \overline{WR} (PSP mode): 1 = IDLE 0 = Write operation. Value of PORTD I/O pins latched into PORTD register (if chip selected). |
| RE2/ \overline{CS} /AN7 | bit2 | ST/TTL ⁽¹⁾ | Input/output port pin or chip select control input in Parallel Slave Port mode or analog input. For \overline{CS} (PSP mode): 1 = Device is not selected 0 = Device is selected |

Legend: ST = Schmitt Trigger input, TTL = TTL input

Note 1: Input buffers are Schmitt Triggers when in I/O mode and TTL buffers when in Parallel Slave Port mode.

TABLE 4-10: SUMMARY OF REGISTERS ASSOCIATED WITH PORTE

| Addr | Name | Bit 7 | Bit 6 | Bit 5 | Bit 4 | Bit 3 | Bit 2 | Bit 1 | Bit 0 | Value on: POR, BOR | Value on all other RESETS |
|------|--------|-------|-------|-------|---------|-------|---------------------------|-------|-------|--------------------------|---------------------------------|
| 09h | PORTE | — | — | — | — | — | RE2 | RE1 | RE0 | ---- -xxx | ---- -uuu |
| 89h | TRISE | IBF | OBF | IBOV | PSPMODE | — | PORTE Data Direction bits | | | 0000 -111 | 0000 -111 |
| 9Fh | ADCON1 | — | — | — | — | — | PCFG2 | PCFG1 | PCFG0 | ---- -000 | ---- -000 |

Legend: x = unknown, u = unchanged, - = unimplemented, read as '0'. Shaded cells are not used by PORTE.

PIC16F7X

4.6 Parallel Slave Port

The Parallel Slave Port (PSP) is not implemented on the PIC16F73 or PIC16F76.

PORTD operates as an 8-bit wide Parallel Slave Port, or Microprocessor Port, when control bit PSPMODE (TRISE<4>) is set. In Slave mode, it is asynchronously readable and writable by an external system using the read control input pin RE0/RD, the write control input pin RE1/WR, and the chip select control input pin RE2/CS.

The PSP can directly interface to an 8-bit microprocessor data bus. The external microprocessor can read or write the PORTD latch as an 8-bit latch. Setting bit PSPMODE enables port pin RE0/RD to be the RD input, RE1/WR to be the WR input and RE2/CS to be the CS (chip select) input. For this functionality, the corresponding data direction bits of the TRISE register (TRISE<2:0>) must be configured as inputs (i.e., set). The A/D port configuration bits PCFG3:PCFG0 (ADCON1<3:0>) must be set to configure pins RE2:RE0 as digital I/O.

There are actually two 8-bit latches, one for data output (external reads) and one for data input (external writes). The firmware writes 8-bit data to the PORTD output data latch and reads data from the PORTD input data latch (note that they have the same address). In this mode, the TRISD register is ignored, since the external device is controlling the direction of data flow.

An external write to the PSP occurs when the CS and WR lines are both detected low. Firmware can read the actual data on the PORTD pins during this time. When either the CS or WR lines become high (level triggered), the data on the PORTD pins is latched, and the Input Buffer Full (IBF) status flag bit (TRISE<7>) and interrupt flag bit PSPIF (PIR1<7>) are set on the Q4 clock cycle, following the next Q2 cycle to signal the write is complete (Figure 4-9). Firmware clears the IBF flag by reading the latched PORTD data, and clears the PSPIF bit.

The Input Buffer Overflow (IBOV) status flag bit (TRISE<5>) is set if an external write to the PSP occurs while the IBF flag is set from a previous external write. The previous PORTD data is overwritten with the new data. IBOV is cleared by reading PORTD and clearing IBOV.

A read from the PSP occurs when both the CS and RD lines are detected low. The data in the PORTD output latch is output to the PORTD pins. The Output Buffer Full (OBF) status flag bit (TRISE<6>) is cleared immediately (Figure 4-10), indicating that the PORTD latch is being read, or has been read by the external bus. If firmware writes new data to the output latch during this time, it is immediately output to the PORTD pins, but OBF will remain cleared.

When either the CS or RD pins are detected high, the PORTD outputs are disabled, and the interrupt flag bit PSPIF is set on the Q4 clock cycle following the next Q2 cycle, indicating that the read is complete. OBF remains low until firmware writes new data to PORTD.

When not in PSP mode, the IBF and OBF bits are held clear. Flag bit IBOV remains unchanged. The PSPIF bit must be cleared by the user in firmware; the interrupt can be disabled by clearing the interrupt enable bit PSPIE (PIE1<7>).

FIGURE 4-8: PORTD AND PORTE BLOCK DIAGRAM (PARALLEL SLAVE PORT)

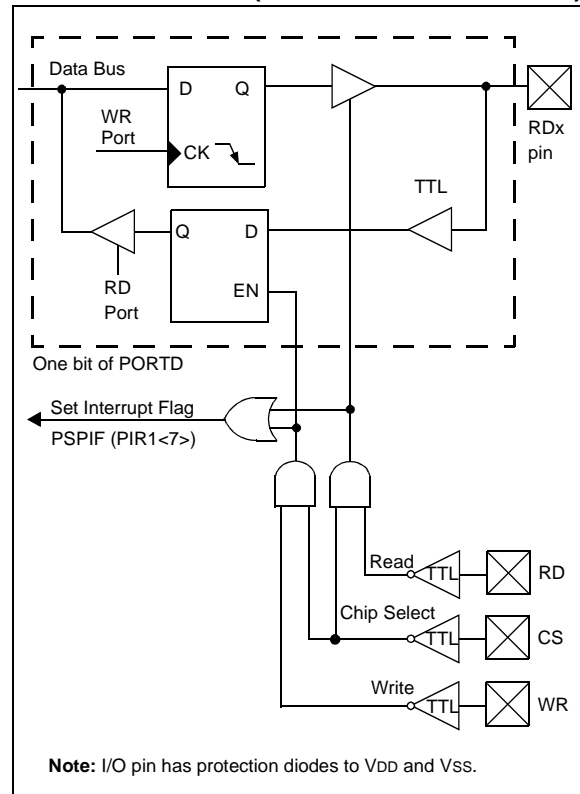


FIGURE 4-9: PARALLEL SLAVE PORT WRITE WAVEFORMS

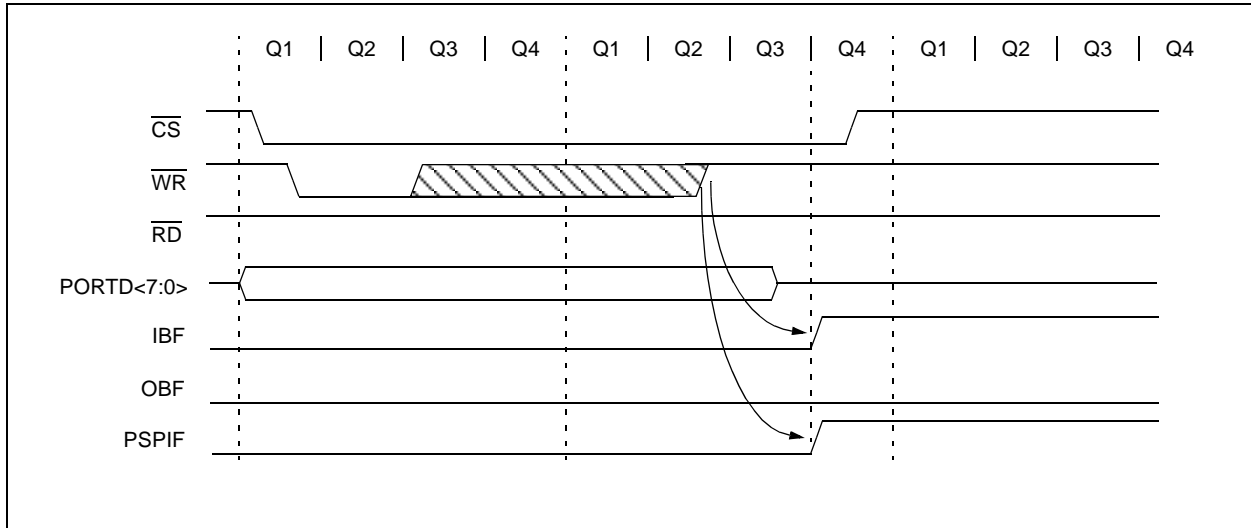


FIGURE 4-10: PARALLEL SLAVE PORT READ WAVEFORMS

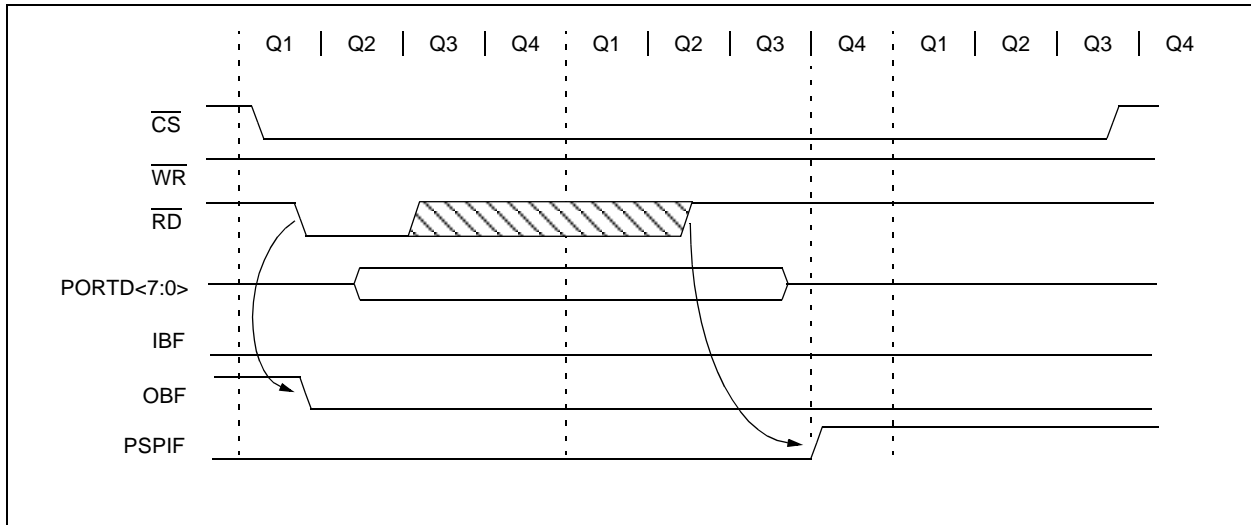


TABLE 4-11: REGISTERS ASSOCIATED WITH PARALLEL SLAVE PORT

| Address | Name | Bit 7 | Bit 6 | Bit 5 | Bit 4 | Bit 3 | Bit 2 | Bit 1 | Bit 0 | Value on: POR, BOR | Value on all other RESETS |
|---------|--------|---|-------|-------|---------|-------|---------------------------|--------|--------|--------------------------|---------------------------------|
| 08h | PORTD | Port data latch when written: Port pins when read | | | | | | | | xxxx xxxx | uuuu uuuu |
| 09h | PORTE | — | — | — | — | — | RE2 | RE1 | RE0 | ---- -xxx | ---- -uuu |
| 89h | TRISE | IBF | OBF | IBOV | PSPMODE | — | PORTE Data Direction Bits | | | 0000 -111 | 0000 -111 |
| 0Ch | PIR1 | PSPIF ⁽¹⁾ | ADIF | RCIF | TXIF | SSPIF | CCP1IF | TMR2IF | TMR1IF | 0000 0000 | 0000 0000 |
| 8Ch | PIE1 | PSPIE ⁽¹⁾ | ADIE | RCIE | TXIE | SSPIE | CCP1IE | TMR2IE | TMR1IE | 0000 0000 | 0000 0000 |
| 9Fh | ADCON1 | — | — | — | — | — | PCFG2 | PCFG1 | PCFG0 | ---- -000 | ---- -000 |

Legend: x = unknown, u = unchanged, - = unimplemented, read as '0'. Shaded cells are not used by the Parallel Slave Port.

Note 1: Bits PSPIE and PSPIF are reserved on the PIC16F73/76; always maintain these bits clear.

PIC16F7X

NOTES:

5.0 TIMER0 MODULE

The Timer0 module timer/counter has the following features:

- 8-bit timer/counter
- Readable and writable
- 8-bit software programmable prescaler
- Internal or external clock select
- Interrupt on overflow from FFh to 00h
- Edge select for external clock

Additional information on the Timer0 module is available in the PICmicro™ Mid-Range MCU Family Reference Manual (DS33023).

Figure 5-1 is a block diagram of the Timer0 module and the prescaler shared with the WDT.

Timer0 operation is controlled through the OPTION_REG register (Register 5-1 on the following page). Timer mode is selected by clearing bit T0CS (OPTION_REG<5>). In Timer mode, the Timer0 module will increment every instruction cycle (without prescaler). If the TMR0 register is written, the increment is inhibited for the following two instruction cycles. The user can work around this by writing an adjusted value to the TMR0 register.

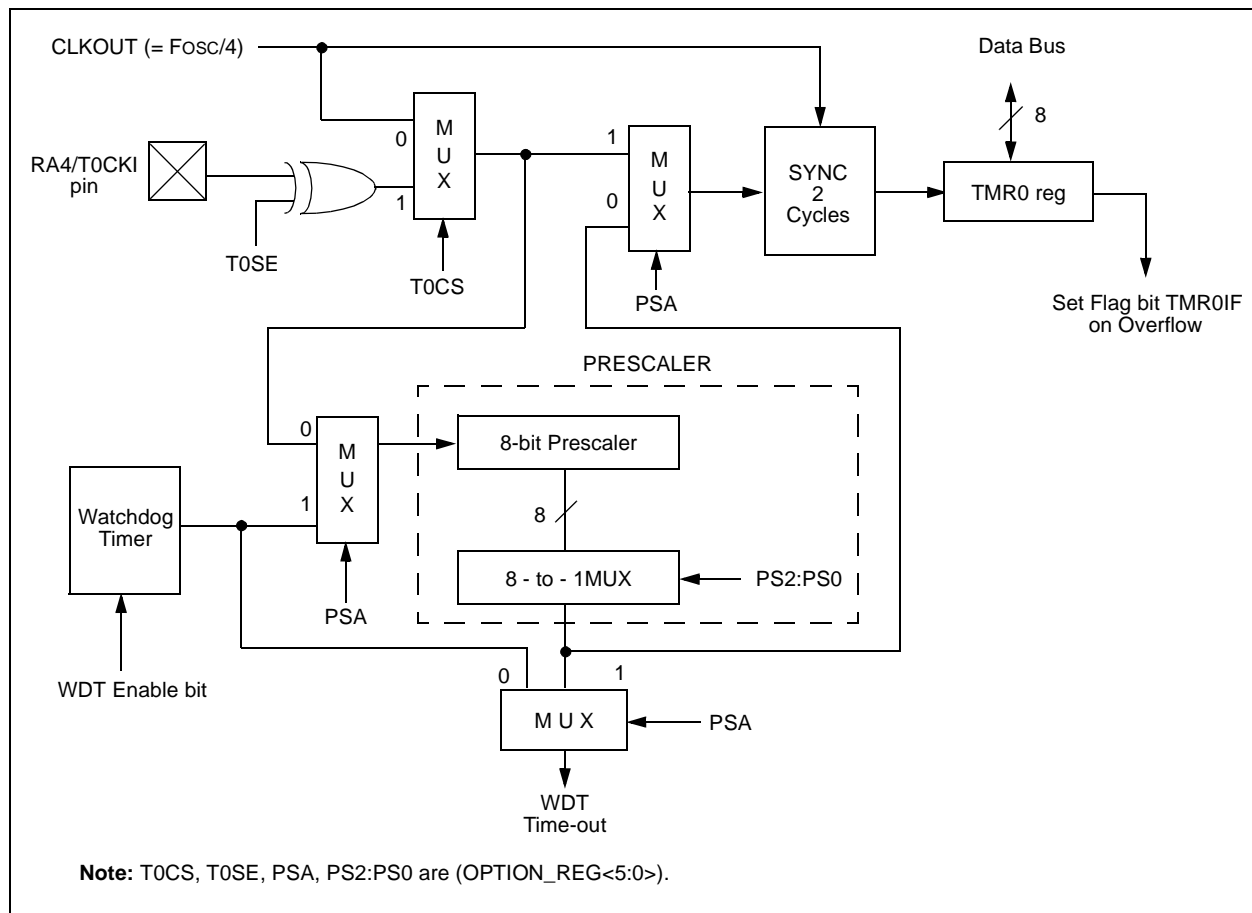
Counter mode is selected by setting bit T0CS (OPTION_REG<5>). In Counter mode, Timer0 will increment, either on every rising or falling edge of pin RA4/T0CKI. The incrementing edge is determined by the Timer0 Source Edge Select bit T0SE (OPTION_REG<4>). Clearing bit T0SE selects the rising edge. Restrictions on the external clock input are discussed in detail in Section 5.2.

The prescaler is mutually exclusively shared between the Timer0 module and the Watchdog Timer. The prescaler is not readable or writable. Section 5.3 details the operation of the prescaler.

5.1 Timer0 Interrupt

The TMR0 interrupt is generated when the TMR0 register overflows from FFh to 00h. This overflow sets bit TMR0IF (INTCON<2>). The interrupt can be masked by clearing bit TMR0IE (INTCON<5>). Bit TMR0IF must be cleared in software by the Timer0 module Interrupt Service Routine, before re-enabling this interrupt. The TMR0 interrupt cannot awaken the processor from SLEEP, since the timer is shut-off during SLEEP.

FIGURE 5-1: BLOCK DIAGRAM OF THE TIMER0 MODULE AND PRESCALER



PIC16F7X

5.2 Using Timer0 with an External Clock

When no prescaler is used, the external clock input is the same as the prescaler output. The synchronization of T0CKI, with the internal phase clocks, is accomplished by sampling the prescaler output on the Q2 and

Q4 cycles of the internal phase clocks. Therefore, it is necessary for T0CKI to be high for at least 2Tosc (and a small RC delay of 20 ns) and low for at least 2Tosc (and a small RC delay of 20 ns). Refer to the electrical specification of the desired device.

REGISTER 5-1: OPTION_REG REGISTER

| | | | | | | | |
|-------------|---------------|-------------|-------------|------------|------------|------------|------------|
| R/W-1 | R/W-1 | R/W-1 | R/W-1 | R/W-1 | R/W-1 | R/W-1 | R/W-1 |
| RBPU | INTEDG | T0CS | T0SE | PSA | PS2 | PS1 | PS0 |
| bit 7 | | | | | | bit 0 | |

bit 7 **RBPU**: PORTB Pull-up Enable bit (see Section 2.2.2.2)

bit 6 **INTEDG**: Interrupt Edge Select bit (see Section 2.2.2.2)

bit 5 **T0CS**: TMR0 Clock Source Select bit

- 1 = Transition on T0CKI pin
- 0 = Internal instruction cycle clock (CLKOUT)

bit 4 **T0SE**: TMR0 Source Edge Select bit

- 1 = Increment on high-to-low transition on T0CKI pin
- 0 = Increment on low-to-high transition on T0CKI pin

bit 3 **PSA**: Prescaler Assignment bit

- 1 = Prescaler is assigned to the WDT
- 0 = Prescaler is assigned to the Timer0 module

bit 2-0 **PS2:PS0**: Prescaler Rate Select bits

| Bit Value | TMR0 Rate | WDT Rate |
|-----------|-----------|----------|
| 000 | 1 : 2 | 1 : 1 |
| 001 | 1 : 4 | 1 : 2 |
| 010 | 1 : 8 | 1 : 4 |
| 011 | 1 : 16 | 1 : 8 |
| 100 | 1 : 32 | 1 : 16 |
| 101 | 1 : 64 | 1 : 32 |
| 110 | 1 : 128 | 1 : 64 |
| 111 | 1 : 256 | 1 : 128 |

Legend:

R = Readable bit W = Writable bit U = Unimplemented bit, read as '0'
 - n = Value at POR reset '1' = Bit is set '0' = Bit is cleared x = Bit is unknown

Note: To avoid an unintended device RESET, the instruction sequences shown in Example 5-1 and Example 5-2 (page 45) must be executed when changing the prescaler assignment between Timer0 and the WDT. This sequence must be followed even if the WDT is disabled.

5.3 Prescaler

There is only one prescaler available on the microcontroller; it is shared exclusively between the Timer0 module and the Watchdog Timer. The usage of the prescaler is also mutually exclusive: that is, a prescaler assignment for the Timer0 module means that there is no prescaler for the Watchdog Timer, and vice versa. This prescaler is not readable or writable (see Figure 5-1).

The PSA and PS2:PS0 bits (OPTION_REG<3:0>) determine the prescaler assignment and prescale ratio. Examples of code for assigning the prescaler assignment are shown in Example 5-1 and Example 5-2. Note that when the prescaler is being assigned to the WDT with ratios other than 1:1, lines 2 and 3 (highlighted) are optional. If a prescale ratio of 1:1 is to be used,

however, these lines must be used to set a temporary value. The final 1:1 value is then set in lines 10 and 11 (highlighted). (Line numbers are included in the example for illustrative purposes only, and are not part of the actual code.)

When assigned to the Timer0 module, all instructions writing to the TMR0 register (e.g. CLRF 1, MOVWF 1, BSF 1, x....etc.) will clear the prescaler. When assigned to WDT, a CLRWDT instruction will clear the prescaler along with the Watchdog Timer.

Note: Writing to TMR0 when the prescaler is assigned to Timer0, will clear the prescaler count but will not change the prescaler assignment.

EXAMPLE 5-1: CHANGING THE PRESCALER ASSIGNMENT FROM TIMER0 TO WDT

| | | | |
|-----|--------|-------------|---|
| 1) | BSF | STATUS, RP0 | ; Bank1 |
| 2) | MOVLW | b'xx0x0xxx' | ; Select clock source and prescale value of |
| 3) | MOVWF | OPTION_REG | ; other than 1:1 |
| 4) | BCF | STATUS, RP0 | ; Bank0 |
| 5) | CLRF | TMR0 | ; Clear TMR0 and prescaler |
| 6) | BSF | STATUS, RP1 | ; Bank1 |
| 7) | MOVLW | b'xxxx1xxx' | ; Select WDT, do not change prescale value |
| 8) | MOVWF | OPTION_REG | |
| 9) | CLRWDT | | ; Clears WDT and prescaler |
| 10) | MOVLW | b'xxxx1xxx' | ; Select new prescale value and WDT |
| 11) | MOVWF | OPTION_REG | |
| 12) | BCF | STATUS, RP0 | ; Bank0 |

EXAMPLE 5-2: CHANGING THE PRESCALER ASSIGNMENT FROM WDT TO TIMER0

| | | |
|--------|-------------|-----------------------------|
| CLRWDT | | ; Clear WDT and prescaler |
| BSF | STATUS, RP0 | ; Bank1 |
| MOVLW | b'xxxx0xxx' | ; Select TMR0, new prescale |
| MOVWF | OPTION_REG | ; value and clock source |
| BCF | STATUS, RP0 | ; Bank0 |

TABLE 5-1: REGISTERS ASSOCIATED WITH TIMER0

| Address | Name | Bit 7 | Bit 6 | Bit 5 | Bit 4 | Bit 3 | Bit 2 | Bit 1 | Bit 0 | Value on: POR, BOR | Value on all other RESETS |
|--------------------|------------|------------------------|--------|--------|-------|-------|--------|-------|-------|--------------------|---------------------------|
| 01h,101h | TMR0 | Timer0 Module Register | | | | | | | | xxxx xxxx | uuuu uuuu |
| 0Bh,8Bh, 10Bh,18Bh | INTCON | GIE | PEIE | TMR0IE | INTE | RBIE | TMR0IF | INTF | RBIF | 0000 000x | 0000 000u |
| 81h,181h | OPTION_REG | RBPU | INTEDG | T0CS | T0SE | PSA | PS2 | PS1 | PS0 | 1111 1111 | 1111 1111 |

Legend: x = unknown, u = unchanged, - = unimplemented locations read as '0'. Shaded cells are not used by Timer0.

PIC16F7X

NOTES:

6.0 TIMER1 MODULE

The Timer1 module is a 16-bit timer/counter consisting of two 8-bit registers (TMR1H and TMR1L), which are readable and writable. The TMR1 Register pair (TMR1H:TMR1L) increments from 0000h to FFFFh and rolls over to 0000h. The TMR1 Interrupt, if enabled, is generated on overflow, which is latched in interrupt flag bit TMR1IF (PIR1<0>). This interrupt can be enabled/disabled by setting/clearing TMR1 interrupt enable bit TMR1IE (PIE1<0>).

Timer1 can operate in one of two modes:

- As a timer
- As a counter

The operating mode is determined by the clock select bit, TMR1CS (T1CON<1>).

In Timer mode, Timer1 increments every instruction cycle. In Counter mode, it increments on every rising edge of the external clock input.

Timer1 can be enabled/disabled by setting/clearing control bit TMR1ON (T1CON<0>).

Timer1 also has an internal "RESET input". This RESET can be generated by either of the two CCP modules as the special event trigger (see Sections 8.1 and 8.2). Register 6-1 shows the Timer1 Control register.

When the Timer1 oscillator is enabled (T1OSCEN is set), the RC1/T1OSI/CCP2 and RC0/T1OSO/T1CKI pins become inputs. That is, the TRISC<1:0> value is ignored and these pins read as '0'.

Additional information on timer modules is available in the PICmicro™ Mid-Range MCU Family Reference Manual (DS33023).

REGISTER 6-1: T1CON: TIMER1 CONTROL REGISTER (ADDRESS 10h)

| | | | | | | | | |
|-------|-----|---------|---------|---------|--------|--------|--------|-------|
| U-0 | U-0 | R/W-0 | R/W-0 | R/W-0 | R/W-0 | R/W-0 | R/W-0 | |
| — | — | T1CKPS1 | T1CKPS0 | T1OSCEN | T1SYNC | TMR1CS | TMR1ON | |
| bit 7 | | | | | | | | bit 0 |

bit 7-6 **Unimplemented:** Read as '0'

bit 5-4 **T1CKPS1:T1CKPS0:** Timer1 Input Clock Prescale Select bits

11 = 1:8 Prescale value
 10 = 1:4 Prescale value
 01 = 1:2 Prescale value
 00 = 1:1 Prescale value

bit 3 **T1OSCEN:** Timer1 Oscillator Enable Control bit

1 = Oscillator is enabled
 0 = Oscillator is shut-off (the oscillator inverter is turned off to eliminate power drain)

bit 2 **T1SYNC:** Timer1 External Clock Input Synchronization Control bit

TMR1CS = 1:

1 = Do not synchronize external clock input
 0 = Synchronize external clock input

TMR1CS = 0:

This bit is ignored. Timer1 uses the internal clock when TMR1CS = 0.

bit 1 **TMR1CS:** Timer1 Clock Source Select bit

1 = External clock from pin RC0/T1OSO/T1CKI (on the rising edge)
 0 = Internal clock (Fosc/4)

bit 0 **TMR1ON:** Timer1 On bit

1 = Enables Timer1
 0 = Stops Timer1

Legend:

| | | |
|--------------------------|------------------|--|
| R = Readable bit | W = Writable bit | U = Unimplemented bit, read as '0' |
| - n = Value at POR reset | '1' = Bit is set | '0' = Bit is cleared x = Bit is unknown |

PIC16F7X

6.1 Timer1 Operation in Timer Mode

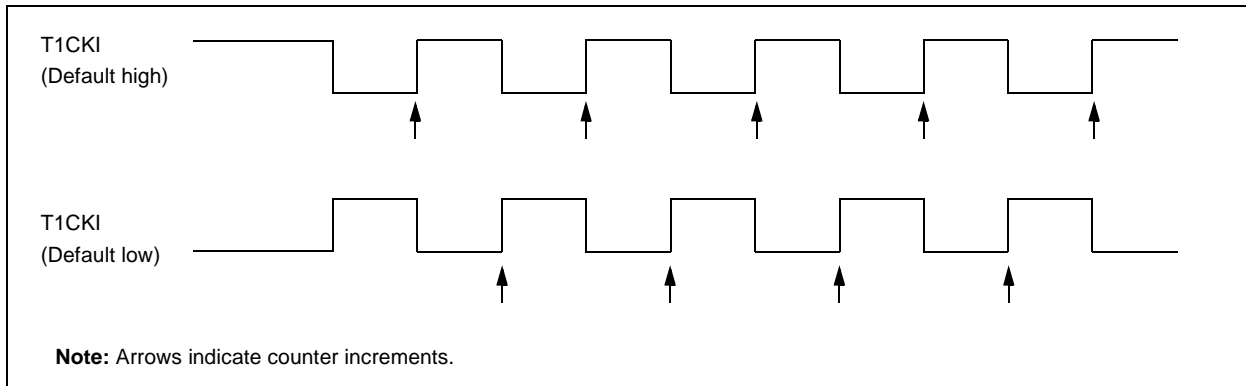
Timer mode is selected by clearing the TMR1CS (T1CON<1>) bit. In this mode, the input clock to the timer is $F_{OSC}/4$. The synchronize control bit $\overline{T1SYNC}$ (T1CON<2>) has no effect, since the internal clock is always in sync.

6.2 Timer1 Counter Operation

Timer1 may operate in Asynchronous or Synchronous mode, depending on the setting of the TMR1CS bit.

When Timer1 is being incremented via an external source, increments occur on a rising edge. After Timer1 is enabled in Counter mode, the module must first have a falling edge before the counter begins to increment.

FIGURE 6-1: TIMER1 INCREMENTING EDGE



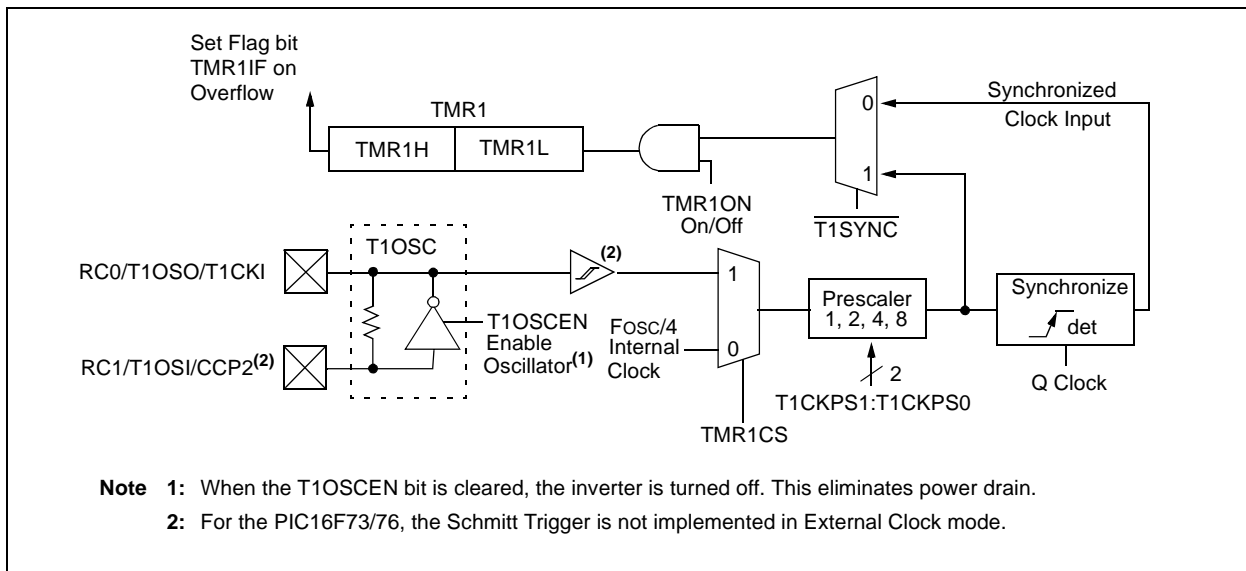
6.3 Timer1 Operation in Synchronized Counter Mode

Counter mode is selected by setting bit TMR1CS. In this mode, the timer increments on every rising edge of clock input on pin RC1/T1OSI/CCP2, when bit T1OSCEN is set, or on pin RC0/T1OSO/T1CKI, when bit T1OSCEN is cleared.

If $\overline{T1SYNC}$ is cleared, then the external clock input is synchronized with internal phase clocks. The synchronization is done after the prescaler stage. The prescaler stage is an asynchronous ripple counter.

In this configuration, during SLEEP mode, Timer1 will not increment even if the external clock is present, since the synchronization circuit is shut-off. The prescaler, however, will continue to increment.

FIGURE 6-2: TIMER1 BLOCK DIAGRAM



6.4 Timer1 Operation in Asynchronous Counter Mode

If control bit $\overline{T1SYNC}$ (T1CON<2>) is set, the external clock input is not synchronized. The timer continues to increment asynchronous to the internal phase clocks. The timer will continue to run during SLEEP and can generate an interrupt on overflow, which will wake-up the processor. However, special precautions in software are needed to read/write the timer (Section 6.4.1).

In Asynchronous Counter mode, Timer1 cannot be used as a time-base for capture or compare operations.

6.4.1 READING AND WRITING TIMER1 IN ASYNCHRONOUS COUNTER MODE

Reading TMR1H or TMR1L, while the timer is running from an external asynchronous clock, will ensure a valid read (taken care of in hardware). However, the user should keep in mind that reading the 16-bit timer in two 8-bit values itself, poses certain problems, since the timer may overflow between the reads.

For writes, it is recommended that the user simply stop the timer and write the desired values. A write contention may occur by writing to the timer registers, while the register is incrementing. This may produce an unpredictable value in the timer register.

Reading the 16-bit value requires some care. The example code provided in Example 6-1 and Example 6-2 demonstrates how to write to and read Timer1 while it is running in Asynchronous mode.

EXAMPLE 6-1: WRITING A 16-BIT FREE-RUNNING TIMER

```

; All interrupts are disabled
CLRf    TMR1L    ; Clear Low byte, Ensures no rollover into TMR1H
MOVLW   HI_BYTE  ; Value to load into TMR1H
MOVWF   TMR1H, F ; Write High byte
MOVLW   LO_BYTE  ; Value to load into TMR1L
MOVWF   TMR1H, F ; Write Low byte
; Re-enable the Interrupt (if required)
CONTINUE ; Continue with your code

```

EXAMPLE 6-2: READING A 16-BIT FREE-RUNNING TIMER

```

; All interrupts are disabled
MOVf    TMR1H, W ; Read high byte
MOVWF   TMPH
MOVf    TMR1L, W ; Read low byte
MOVWF   TMPL
MOVf    TMR1H, W ; Read high byte
SUBWF   TMPH, W ; Sub 1st read with 2nd read
BTFSC   STATUS, Z ; Is result = 0
GOTO    CONTINUE ; Good 16-bit read
; TMR1L may have rolled over between the read of the high and low bytes.
; Reading the high and low bytes now will read a good value.
MOVf    TMR1H, W ; Read high byte
MOVWF   TMPH
MOVf    TMR1L, W ; Read low byte
MOVWF   TMPL
MOVWF   TMPL ; Re-enable the Interrupt (if required)
CONTINUE ; Continue with your code

```

PIC16F7X

6.5 Timer1 Oscillator

A crystal oscillator circuit is built-in between pins T1OSI (input) and T1OSO (amplifier output). It is enabled by setting control bit T1OSCEN (T1CON<3>). The oscillator is a low power oscillator rated up to 200 kHz. It will continue to run during SLEEP. It is primarily intended for use with a 32 kHz crystal. Table 6-1 shows the capacitor selection for the Timer1 oscillator.

The Timer1 oscillator is identical to the LP oscillator. The user must provide a software time delay to ensure proper oscillator start-up.

6.6 Resetting Timer1 using a CCP Trigger Output

If the CCP1 or CCP2 module is configured in Compare mode to generate a “special event trigger” (CCP1M3:CCP1M0 = ‘1011’), this signal will reset Timer1.

Note: The special event triggers from the CCP1 and CCP2 modules will not set interrupt flag bit TMR1IF (PIR1<0>).

Timer1 must be configured for either Timer or Synchronized Counter mode, to take advantage of this feature. If Timer1 is running in Asynchronous Counter mode, this RESET operation may not work.

In the event that a write to Timer1 coincides with a special event trigger from CCP1 or CCP2, the write will take precedence.

In this mode of operation, the CCPRxH:CCPRxL register pair effectively becomes the period register for Timer1.

6.7 Resetting of Timer1 Register Pair (TMR1H, TMR1L)

TMR1H and TMR1L registers are not reset to 00h on a POR, or any other RESET, except by the CCP1 and CCP2 special event triggers.

TABLE 6-1: CAPACITOR SELECTION FOR THE TIMER1 OSCILLATOR

| Osc Type | Frequency | Capacitors Used: | |
|--|-----------------------|------------------|-------|
| | | OSC1 | OSC2 |
| LP | 32 kHz | 47 pF | 47 pF |
| | 100 kHz | 33 pF | 33 pF |
| | 200 kHz | 15 pF | 15 pF |
| Capacitor values are for design guidance only. | | | |
| These capacitors were tested with the crystals listed below for basic start-up and operation. These values were not optimized. | | | |
| Different capacitor values may be required to produce acceptable oscillator operation. The user should test the performance of the oscillator over the expected VDD and temperature range for the application. | | | |
| See the notes (below) table for additional information. | | | |
| Commonly Used Crystals: | | | |
| 32.768 kHz | Epson C-001R32.768K-A | | |
| 100 kHz | Epson C-2 100.00 KC-P | | |
| 200 kHz | STD XTL 200.000 kHz | | |
| Note 1: Higher capacitance increases the stability of the oscillator, but also increases the start-up time. | | | |
| Note 2: Since each resonator/crystal has its own characteristics, the user should consult the resonator/crystal manufacturer for appropriate values of external components. | | | |

T1CON register is reset to 00h on a Power-on Reset or a Brown-out Reset, which shuts off the timer and leaves a 1:1 prescale. In all other RESETS, the register is unaffected.

6.8 Timer1 Prescaler

The prescaler counter is cleared on writes to the TMR1H or TMR1L registers.

TABLE 6-2: REGISTERS ASSOCIATED WITH TIMER1 AS A TIMER/COUNTER

| Address | Name | Bit 7 | Bit 6 | Bit 5 | Bit 4 | Bit 3 | Bit 2 | Bit 1 | Bit 0 | Value on: POR, BOR | Value on all other RESETS |
|--------------------|--------|---|-------|---------|---------|---------|--------|--------|--------|--------------------|---------------------------|
| 0Bh,8Bh, 10Bh,18Bh | INTCON | GIE | PEIE | TMR0IE | INTE | RBIE | TMR0IF | INTF | RBIF | 0000 000x | 0000 000u |
| 0Ch | PIR1 | PSPIF ⁽¹⁾ | ADIF | RCIF | TXIF | SSPIF | CCP1IF | TMR2IF | TMR1IF | 0000 0000 | 0000 0000 |
| 8Ch | PIE1 | PSPIE ⁽¹⁾ | ADIE | RCIE | TXIE | SSPIE | CCP1IE | TMR2IE | TMR1IE | 0000 0000 | 0000 0000 |
| 0Eh | TMR1L | Holding register for the Least Significant Byte of the 16-bit TMR1 Register | | | | | | | | xxxx xxxx | uuuu uuuu |
| 0Fh | TMR1H | Holding register for the Most Significant Byte of the 16-bit TMR1 Register | | | | | | | | xxxx xxxx | uuuu uuuu |
| 10h | T1CON | — | — | T1CKPS1 | T1CKPS0 | T1OSCEN | T1SYNC | TMR1CS | TMR1ON | --00 0000 | --uu uuuu |

Legend: x = unknown, u = unchanged, - = unimplemented, read as '0'. Shaded cells are not used by the Timer1 module.

Note 1: Bits PSPIE and PSPIF are reserved on the PIC16F73/76; always maintain these bits clear.

7.0 TIMER2 MODULE

Timer2 is an 8-bit timer with a prescaler and a postscaler. It can be used as the PWM time-base for the PWM mode of the CCP module(s). The TMR2 register is readable and writable, and is cleared on any device RESET.

The input clock ($F_{osc}/4$) has a prescale option of 1:1, 1:4 or 1:16, selected by control bits T2CKPS1:T2CKPS0 (T2CON<1:0>).

The Timer2 module has an 8-bit period register, PR2. Timer2 increments from 00h until it matches PR2 and then resets to 00h on the next increment cycle. PR2 is a readable and writable register. The PR2 register is initialized to FFh upon RESET.

The match output of TMR2 goes through a 4-bit postscaler (which gives a 1:1 to 1:16 scaling inclusive) to generate a TMR2 interrupt (latched in flag bit TMR2IF, (PIR1<1>)).

Timer2 can be shut-off by clearing control bit TMR2ON (T2CON<2>) to minimize power consumption.

Register 7-1 shows the Timer2 control register.

Additional information on timer modules is available in the PICmicro™ Mid-Range MCU Family Reference Manual (DS33023).

7.1 Timer2 Prescaler and Postscaler

The prescaler and postscaler counters are cleared when any of the following occurs:

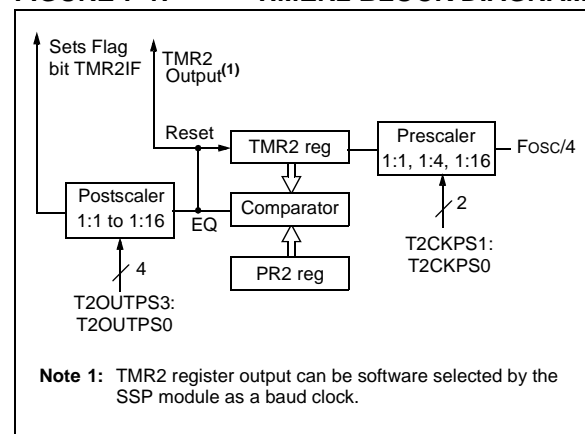
- a write to the TMR2 register
- a write to the T2CON register
- any device RESET (POR, $\overline{\text{MCLR}}$ Reset, WDT Reset or BOR)

TMR2 is not cleared when T2CON is written.

7.2 Output of TMR2

The output of TMR2 (before the postscaler) is fed to the SSP module, which optionally uses it to generate shift clock.

FIGURE 7-1: TIMER2 BLOCK DIAGRAM



PIC16F7X

REGISTER 7-1: T2CON: TIMER2 CONTROL REGISTER (ADDRESS 12h)

| | | | | | | | |
|-------|---------|---------|---------|---------|--------|---------|---------|
| U-0 | R/W-0 | R/W-0 | R/W-0 | R/W-0 | R/W-0 | R/W-0 | R/W-0 |
| — | TOUTPS3 | TOUTPS2 | TOUTPS1 | TOUTPS0 | TMR2ON | T2CKPS1 | T2CKPS0 |
| bit 7 | | | | | | | bit 0 |

- bit 7 **Unimplemented:** Read as '0'
- bit 6-3 **TOUTPS3:TOUTPS0:** Timer2 Output Postscale Select bits
 0000 = 1:1 Postscale
 0001 = 1:2 Postscale
 0010 = 1:3 Postscale
 •
 •
 •
 1111 = 1:16 Postscale
- bit 2 **TMR2ON:** Timer2 On bit
 1 = Timer2 is on
 0 = Timer2 is off
- bit 1-0 **T2CKPS1:T2CKPS0:** Timer2 Clock Prescale Select bits
 00 = Prescaler is 1
 01 = Prescaler is 4
 1x = Prescaler is 16

| | | | |
|--------------------------|------------------|------------------------------------|--------------------|
| Legend: | | | |
| R = Readable bit | W = Writable bit | U = Unimplemented bit, read as '0' | |
| - n = Value at POR reset | '1' = Bit is set | '0' = Bit is cleared | x = Bit is unknown |

TABLE 7-1: REGISTERS ASSOCIATED WITH TIMER2 AS A TIMER/COUNTER

| Address | Name | Bit 7 | Bit 6 | Bit 5 | Bit 4 | Bit 3 | Bit 2 | Bit 1 | Bit 0 | Value on: POR, BOR | Value on all other RESETS |
|---------------------|--------|------------------------|---------|---------|---------|---------|--------|---------|---------|--------------------|---------------------------|
| 0Bh,8Bh, 10Bh, 18Bh | INTCON | GIE | PEIE | TMR0IE | INTE | RBIE | TMR0IF | INTF | RBIF | 0000 000x | 0000 000u |
| 0Ch | PIR1 | PSPIF ⁽¹⁾ | ADIF | RCIF | TXIF | SSPIF | CCP1IF | TMR2IF | TMR1IF | 0000 0000 | 0000 0000 |
| 8Ch | PIE1 | PSPIE ⁽¹⁾ | ADIE | RCIE | TXIE | SSPIE | CCP1IE | TMR2IE | TMR1IE | 0000 0000 | 0000 0000 |
| 11h | TMR2 | Timer2 Module Register | | | | | | | | 0000 0000 | 0000 0000 |
| 12h | T2CON | — | TOUTPS3 | TOUTPS2 | TOUTPS1 | TOUTPS0 | TMR2ON | T2CKPS1 | T2CKPS0 | -000 0000 | -000 0000 |
| 92h | PR2 | Timer2 Period Register | | | | | | | | 1111 1111 | 1111 1111 |

Legend: x = unknown, u = unchanged, - = unimplemented, read as '0'. Shaded cells are not used by the Timer2 module.

Note 1: Bits PSPIE and PSPIF are reserved on the PIC16F73/76; always maintain these bits clear.

8.0 CAPTURE/COMPARE/PWM MODULES

Each Capture/Compare/PWM (CCP) module contains a 16-bit register which can operate as a:

- 16-bit Capture register
- 16-bit Compare register
- PWM Master/Slave Duty Cycle register

Both the CCP1 and CCP2 modules are identical in operation, with the exception being the operation of the special event trigger. Table 8-1 and Table 8-2 show the resources and interactions of the CCP module(s). In the following sections, the operation of a CCP module is described with respect to CCP1. CCP2 operates the same as CCP1, except where noted.

8.1 CCP1 Module

Capture/Compare/PWM Register1 (CCPR1) is comprised of two 8-bit registers: CCPR1L (low byte) and CCPR1H (high byte). The CCP1CON register controls the operation of CCP1. The special event trigger is generated by a compare match and will clear both TMR1H and TMR1L registers.

8.2 CCP2 Module

Capture/Compare/PWM Register1 (CCPR1) is comprised of two 8-bit registers: CCPR1L (low byte) and CCPR1H (high byte). The CCP2CON register controls the operation of CCP2. The special event trigger is generated by a compare match; it will clear both TMR1H and TMR1L registers, and start an A/D conversion (if the A/D module is enabled).

Additional information on CCP modules is available in the PICmicro™ Mid-Range MCU Family Reference Manual (DS33023) and in Application Note AN594, "Using the CCP Modules" (DS00594).

TABLE 8-1: CCP MODE - TIMER RESOURCES REQUIRED

| CCP Mode | Timer Resource |
|----------|----------------|
| Capture | Timer1 |
| Compare | Timer1 |
| PWM | Timer2 |

TABLE 8-2: INTERACTION OF TWO CCP MODULES

| CCPx Mode | CCPy Mode | Interaction |
|-----------|-----------|---|
| Capture | Capture | Same TMR1 time-base. |
| Capture | Compare | Same TMR1 time-base. |
| Compare | Compare | Same TMR1 time-base. |
| PWM | PWM | The PWMs will have the same frequency and update rate (TMR2 interrupt). The rising edges are aligned. |
| PWM | Capture | None. |
| PWM | Compare | None. |

PIC16F7X

REGISTER 8-1: CCP1CON REGISTER/CCP2CON REGISTER (ADDRESS: 17h/1Dh)

| | | | | | | | | |
|-------|-----|-------|-------|--------|--------|--------|--------|-------|
| U-0 | U-0 | R/W-0 | R/W-0 | R/W-0 | R/W-0 | R/W-0 | R/W-0 | |
| — | — | CCPxX | CCPY | CCPxM3 | CCPxM2 | CCPxM1 | CCPxM0 | |
| bit 7 | | | | | | | | bit 0 |

bit 7-6 **Unimplemented:** Read as '0'

bit 5-4 **CCPxX:CCPY:** PWM Least Significant bits

Capture mode:

Unused

Compare mode:

Unused

PWM mode:

These bits are the two LSbs of the PWM duty cycle. The eight MSbs are found in CCPRxL.

bit 3-0 **CCPxM3:CCPxM0:** CCPx Mode Select bits

0000 = Capture/Compare/PWM disabled (resets CCPx module)

0100 = Capture mode, every falling edge

0101 = Capture mode, every rising edge

0110 = Capture mode, every 4th rising edge

0111 = Capture mode, every 16th rising edge

1000 = Compare mode, set output on match (CCPxIF bit is set)

1001 = Compare mode, clear output on match (CCPxIF bit is set)

1010 = Compare mode, generate software interrupt on match (CCPxIF bit is set, CCPx pin is unaffected)

1011 = Compare mode, trigger special event (CCPxIF bit is set, CCPx pin is unaffected); CCP1 clears Timer1; CCP2 clears Timer1 and starts an A/D conversion (if A/D module is enabled)

11xx = PWM mode

Legend:

R = Readable bit

W = Writable bit

U = Unimplemented bit, read as '0'

- n = Value at POR reset

'1' = Bit is set

'0' = Bit is cleared

x = Bit is unknown

8.3 Capture Mode

In Capture mode, CCP1H:CCP1L captures the 16-bit value of the TMR1 register when an event occurs on pin RC2/CCP1. An event is defined as one of the following and is configured by CCPxCON<3:0>:

- Every falling edge
- Every rising edge
- Every 4th rising edge
- Every 16th rising edge

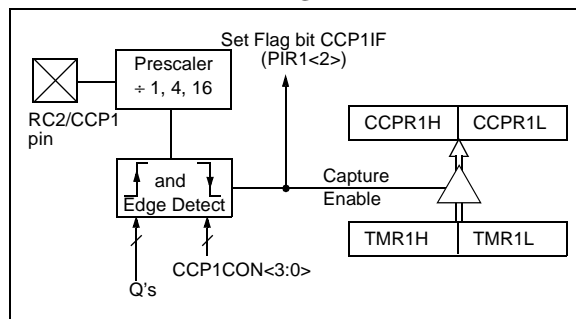
An event is selected by control bits CCP1M3:CCP1M0 (CCP1CON<3:0>). When a capture is made, the interrupt request flag bit CCP1IF (PIR1<2>) is set. The interrupt flag must be cleared in software. If another capture occurs before the value in register CCP1 is read, the old captured value is overwritten by the new captured value.

8.3.1 CCP PIN CONFIGURATION

In Capture mode, the RC2/CCP1 pin should be configured as an input by setting the TRISC<2> bit.

Note: If the RC2/CCP1 pin is configured as an output, a write to the port can cause a capture condition.

FIGURE 8-1: CAPTURE MODE OPERATION BLOCK DIAGRAM



8.3.2 TIMER1 MODE SELECTION

Timer1 must be running in Timer mode or Synchronized Counter mode for the CCP module to use the capture feature. In Asynchronous Counter mode, the capture operation may not work.

8.3.3 SOFTWARE INTERRUPT

When the Capture mode is changed, a false capture interrupt may be generated. The user should keep bit CCP1IE (PIE1<2>) clear to avoid false interrupts and should clear the flag bit CCP1IF following any such change in operating mode.

8.3.4 CCP PRESCALER

There are four prescaler settings, specified by bits CCP1M3:CCP1M0. Whenever the CCP module is turned off, or the CCP module is not in Capture mode, the prescaler counter is cleared. Any RESET will clear the prescaler counter.

Switching from one capture prescaler to another may generate an interrupt. Also, the prescaler counter will not be cleared, therefore, the first capture may be from a non-zero prescaler. Example 8-1 shows the recommended method for switching between capture prescalers. This example also clears the prescaler counter and will not generate the "false" interrupt.

EXAMPLE 8-1: CHANGING BETWEEN CAPTURE PRESCALERS

```
CLRF    CCP1CON    ;Turn CCP module off
MOVLW  NEW_CAPT_PS ;Load the W reg with
                        ;the new prescaler
MOVWF  CCP1CON    ;move value and CCP ON
                        ;Load CCP1CON with this
                        ;value
```

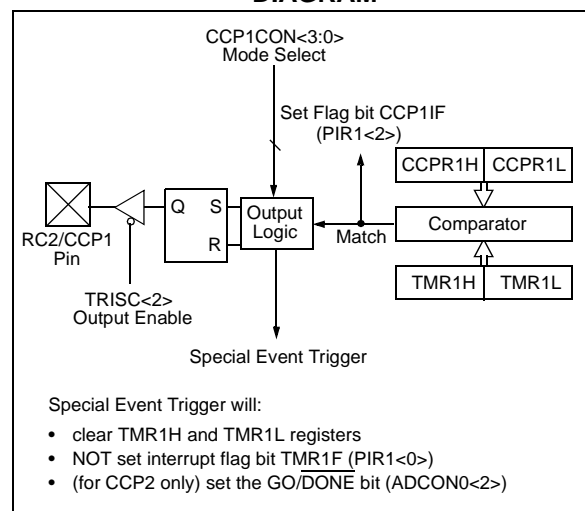
8.4 Compare Mode

In Compare mode, the 16-bit CCP1 register value is constantly compared against the TMR1 register pair value. When a match occurs, the RC2/CCP1 pin is:

- Driven high
- Driven low
- Remains unchanged

The action on the pin is based on the value of control bits CCP1M3:CCP1M0 (CCP1CON<3:0>). At the same time, interrupt flag bit CCP1IF is set.

FIGURE 8-2: COMPARE MODE OPERATION BLOCK DIAGRAM



PIC16F7X

8.4.1 CCP PIN CONFIGURATION

The user must configure the RC2/CCP1 pin as an output by clearing the TRISC<2> bit.

Note: Clearing the CCP1CON register will force the RC2/CCP1 compare output latch to the default low level. This is not the PORTC I/O data latch.

8.4.2 TIMER1 MODE SELECTION

Timer1 must be running in Timer mode or Synchronized Counter mode if the CCP module is using the compare feature. In Asynchronous Counter mode, the compare operation may not work.

8.4.3 SOFTWARE INTERRUPT MODE

When Generate Software Interrupt mode is chosen, the CCP1 pin is not affected. The CCP1IF or CCP2IF bit is set, causing a CCP interrupt (if enabled).

8.4.4 SPECIAL EVENT TRIGGER

In this mode, an internal hardware trigger is generated, which may be used to initiate an action.

The special event trigger output of CCP1 resets the TMR1 register pair. This allows the CCPR1 register to effectively be a 16-bit programmable period register for Timer1.

The special event trigger output of CCP2 resets the TMR1 register pair and starts an A/D conversion (if the A/D module is enabled).

Note: The special event trigger from the CCP1 and CCP2 modules will not set interrupt flag bit TMR1IF (PIR1<0>).

TABLE 8-3: REGISTERS ASSOCIATED WITH CAPTURE, COMPARE, AND TIMER1

| Address | Name | Bit 7 | Bit 6 | Bit 5 | Bit 4 | Bit 3 | Bit 2 | Bit 1 | Bit 0 | Value on: POR, BOR | Value on all other RESETS |
|-------------------|---------|---|-------|---------|---------|---------|--------|--------|--------|--------------------|---------------------------|
| 0Bh,8Bh,10Bh,18Bh | INTCON | GIE | PEIE | TMR0IE | INTE | RBIE | TMR0IF | INTF | RBIF | 0000 000x | 0000 000u |
| 0Ch | PIR1 | PSPIF ⁽¹⁾ | ADIF | RCIF | TXIF | SSPIF | CCP1IF | TMR2IF | TMR1IF | 0000 0000 | 0000 0000 |
| 0Dh | PIR2 | — | — | — | — | — | — | — | CCP2IF | ---- ---0 | ---- ---0 |
| 8Ch | PIE1 | PSPIE ⁽¹⁾ | ADIE | RCIE | TXIE | SSPIE | CCP1IE | TMR2IE | TMR1IE | 0000 0000 | 0000 0000 |
| 8Dh | PIE2 | — | — | — | — | — | — | — | CCP2IE | ---- ---0 | ---- ---0 |
| 87h | TRISC | PORTC Data Direction Register | | | | | | | | 1111 1111 | 1111 1111 |
| 0Eh | TMR1L | Holding Register for the Least Significant Byte of the 16-bit TMR1 Register | | | | | | | | xxxx xxxx | uuuu uuuu |
| 0Fh | TMR1H | Holding Register for the Most Significant Byte of the 16-bit TMR1 Register | | | | | | | | xxxx xxxx | uuuu uuuu |
| 10h | T1CON | — | — | T1CKPS1 | T1CKPS0 | T1OSCEN | T1SYNC | TMR1CS | TMR1ON | --00 0000 | --uu uuuu |
| 15h | CCPR1L | Capture/Compare/PWM Register1 (LSB) | | | | | | | | xxxx xxxx | uuuu uuuu |
| 16h | CCPR1H | Capture/Compare/PWM Register1 (MSB) | | | | | | | | xxxx xxxx | uuuu uuuu |
| 17h | CCP1CON | — | — | CCP1X | CCP1Y | CCP1M3 | CCP1M2 | CCP1M1 | CCP1M0 | --00 0000 | --00 0000 |
| 1Bh | CCPR2L | Capture/Compare/PWM Register2 (LSB) | | | | | | | | xxxx xxxx | uuuu uuuu |
| 1Ch | CCPR2H | Capture/Compare/PWM Register2 (MSB) | | | | | | | | xxxx xxxx | uuuu uuuu |
| 1Dh | CCP2CON | — | — | CCP2X | CCP2Y | CCP2M3 | CCP2M2 | CCP2M1 | CCP2M0 | --00 0000 | --00 0000 |

Legend: x = unknown, u = unchanged, - = unimplemented, read as '0'. Shaded cells are not used by Capture and Timer1.

Note 1: The PSP is not implemented on the PIC16F73/76; always maintain these bits clear.

8.5 PWM Mode (PWM)

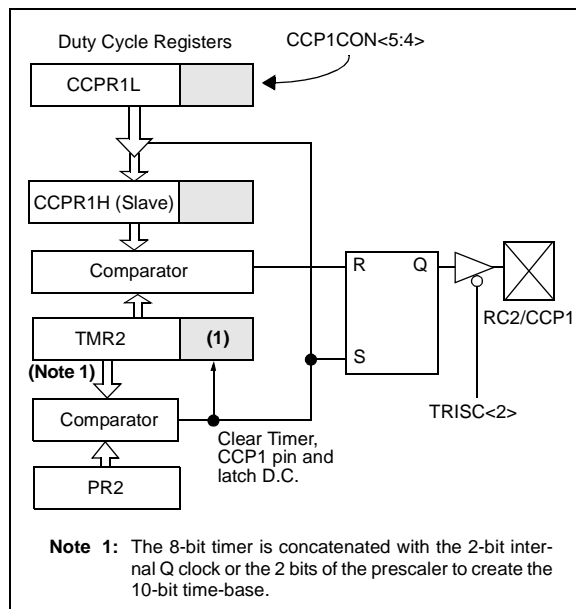
In Pulse Width Modulation mode, the CCPx pin produces up to a 10-bit resolution PWM output. Since the CCP1 pin is multiplexed with the PORTC data latch, the TRISC<2> bit must be cleared to make the CCP1 pin an output.

Note: Clearing the CCP1CON register will force the CCP1 PWM output latch to the default low level. This is not the PORTC I/O data latch.

Figure 8-3 shows a simplified block diagram of the CCP module in PWM mode.

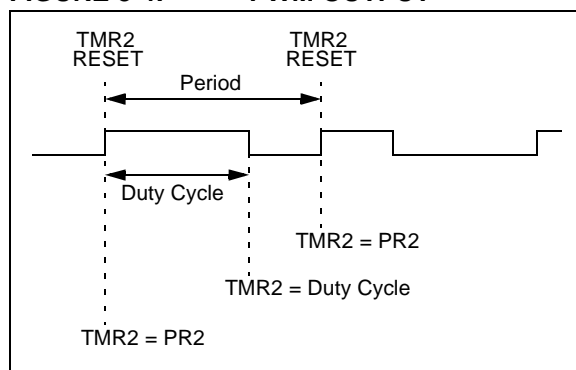
For a step-by-step procedure on how to set up the CCP module for PWM operation, see Section 8.5.3.

FIGURE 8-3: SIMPLIFIED PWM BLOCK DIAGRAM



A PWM output (Figure 8-4) has a time-base (period) and a time that the output stays high (duty cycle). The frequency of the PWM is the inverse of the period (1/period).

FIGURE 8-4: PWM OUTPUT



8.5.1 PWM PERIOD

The PWM period is specified by writing to the PR2 register. The PWM period can be calculated using the following formula:

$$\text{PWM period} = [(PR2) + 1] \cdot 4 \cdot T_{osc} \cdot (\text{TMR2 prescale value})$$

PWM frequency is defined as $1 / [\text{PWM period}]$.

When TMR2 is equal to PR2, the following three events occur on the next increment cycle:

- TMR2 is cleared
- The CCP1 pin is set (exception: if PWM duty cycle = 0%, the CCP1 pin will not be set)
- The PWM duty cycle is latched from CCPR1L into CCPR1H

Note: The Timer2 postscaler (see Section 8.3) is not used in the determination of the PWM frequency. The postscaler could be used to have a servo update rate at a different frequency than the PWM output.

8.5.2 PWM DUTY CYCLE

The PWM duty cycle is specified by writing to the CCPR1L register and to the CCP1CON<5:4> bits. Up to 10-bit resolution is available. The CCPR1L contains the eight MSBs and the CCP1CON<5:4> contains the two LSBs. This 10-bit value is represented by CCPR1L:CCP1CON<5:4>. The following equation is used to calculate the PWM duty cycle in time:

$$\text{PWM duty cycle} = (\text{CCPR1L:CCP1CON<5:4>}) \cdot T_{osc} \cdot (\text{TMR2 prescale value})$$

CCPR1L and CCP1CON<5:4> can be written to at any time, but the duty cycle value is not latched into CCPR1H until after a match between PR2 and TMR2 occurs (i.e., the period is complete). In PWM mode, CCPR1H is a read only register.

The CCPR1H register and a 2-bit internal latch are used to double buffer the PWM duty cycle. This double buffering is essential for glitchless PWM operation.

When the CCPR1H and 2-bit latch match TMR2, concatenated with an internal 2-bit Q clock or 2 bits of the TMR2 prescaler, the CCP1 pin is cleared.

The maximum PWM resolution (bits) for a given PWM frequency is given by the formula:

$$\text{Resolution} = \frac{\log\left(\frac{F_{osc}}{F_{PWM}}\right)}{\log(2)} \text{ bits}$$

Note: If the PWM duty cycle value is longer than the PWM period, the CCP1 pin will not be cleared.

PIC16F7X

8.5.3 SETUP FOR PWM OPERATION

The following steps should be taken when configuring the CCP module for PWM operation:

1. Set the PWM period by writing to the PR2 register.
2. Set the PWM duty cycle by writing to the CCPR1L register and CCP1CON<5:4> bits.
3. Make the CCP1 pin an output by clearing the TRISC<2> bit.
4. Set the TMR2 prescale value and enable Timer2 by writing to T2CON.
5. Configure the CCP1 module for PWM operation.

TABLE 8-4: EXAMPLE PWM FREQUENCIES AND RESOLUTIONS (Fosc = 20 MHz)

| PWM Frequency | 1.22 kHz | 4.88 kHz | 19.53 kHz | 78.12 kHz | 156.3 kHz | 208.3 kHz |
|---------------------------|----------|----------|-----------|-----------|-----------|-----------|
| Timer Prescale (1, 4, 16) | 16 | 4 | 1 | 1 | 1 | 1 |
| PR2 Value | 0xFF | 0xFF | 0xFF | 0x3F | 0x1F | 0x17 |
| Maximum Resolution (bits) | 10 | 10 | 10 | 8 | 7 | 5.5 |

TABLE 8-5: REGISTERS ASSOCIATED WITH PWM AND TIMER2

| Address | Name | Bit 7 | Bit 6 | Bit 5 | Bit 4 | Bit 3 | Bit 2 | Bit 1 | Bit 0 | Value on: POR, BOR | Value on all other RESETS |
|-------------------|---------|-------------------------------------|---------|---------|---------|---------|--------|---------|---------|--------------------|---------------------------|
| 0Bh,8Bh,10Bh,18Bh | INTCON | GIE | PEIE | TMR0IE | INTE | RBIE | TMR0IF | INTF | RBIF | 0000 000x | 0000 000u |
| 0Ch | PIR1 | PSPIF ⁽¹⁾ | ADIF | RCIF | TXIF | SSPIF | CCP1IF | TMR2IF | TMR1IF | 0000 0000 | 0000 0000 |
| 0Dh | PIR2 | — | — | — | — | — | — | — | CCP2IF | ---- ---0 | ---- ---0 |
| 8Ch | PIE1 | PSPIE ⁽¹⁾ | ADIE | RCIE | TXIE | SSPIE | CCP1IE | TMR2IE | TMR1IE | 0000 0000 | 0000 0000 |
| 8Dh | PIE2 | — | — | — | — | — | — | — | CCP2IE | ---- ---0 | ---- ---0 |
| 87h | TRISC | PORTC Data Direction Register | | | | | | | | 1111 1111 | 1111 1111 |
| 11h | TMR2 | Timer2 Module Register | | | | | | | | 0000 0000 | 0000 0000 |
| 92h | PR2 | Timer2 Module Period Register | | | | | | | | 1111 1111 | 1111 1111 |
| 12h | T2CON | — | TOUTPS3 | TOUTPS2 | TOUTPS1 | TOUTPS0 | TMR2ON | T2CKPS1 | T2CKPS0 | -000 0000 | -000 0000 |
| 15h | CCPR1L | Capture/Compare/PWM Register1 (LSB) | | | | | | | | xxxx xxxx | uuuu uuuu |
| 16h | CCPR1H | Capture/Compare/PWM Register1 (MSB) | | | | | | | | xxxx xxxx | uuuu uuuu |
| 17h | CCP1CON | — | — | CCP1X | CCP1Y | CCP1M3 | CCP1M2 | CCP1M1 | CCP1M0 | --00 0000 | --00 0000 |
| 1Bh | CCPR2L | Capture/Compare/PWM Register2 (LSB) | | | | | | | | xxxx xxxx | uuuu uuuu |
| 1Ch | CCPR2H | Capture/Compare/PWM Register2 (MSB) | | | | | | | | xxxx xxxx | uuuu uuuu |
| 1Dh | CCP2CON | — | — | CCP2X | CCP2Y | CCP2M3 | CCP2M2 | CCP2M1 | CCP2M0 | --00 0000 | --00 0000 |

Legend: x = unknown, u = unchanged, - = unimplemented, read as '0'. Shaded cells are not used by PWM and Timer2.

Note 1: Bits PSPIE and PSPIF are reserved on the PIC16F73/76; always maintain these bits clear.

9.0 SYNCHRONOUS SERIAL PORT (SSP) MODULE

9.1 SSP Module Overview

The Synchronous Serial Port (SSP) module is a serial interface useful for communicating with other peripheral or microcontroller devices. These peripheral devices may be Serial EEPROMs, shift registers, display drivers, A/D converters, etc. The SSP module can operate in one of two modes:

- Serial Peripheral Interface (SPI)
- Inter-Integrated Circuit (I²C)

An overview of I²C operations and additional information on the SSP module can be found in the PICmicro™ Mid-Range MCU Family Reference Manual (DS33023).

Refer to Application Note AN578, "Use of the SSP Module in the I²C Multi-Master Environment" (DS00578).

9.2 SPI Mode

This section contains register definitions and operational characteristics of the SPI module. Additional information on the SPI module can be found in the PICmicro™ Mid-Range MCU Family Reference Manual (DS33023A).

SPI mode allows 8 bits of data to be synchronously transmitted and received simultaneously. To accomplish communication, typically three pins are used:

- Serial Data Out (SDO) RC5/SDO
- Serial Data In (SDI) RC4/SDI/SDA
- Serial Clock (SCK) RC3/SCK/SCL

Additionally, a fourth pin may be used when in a Slave mode of operation:

- Slave Select (\overline{SS}) RA5/ \overline{SS} /AN4

When initializing the SPI, several options need to be specified. This is done by programming the appropriate control bits in the SSPCON register (SSPCON<5:0>) and SSPSTAT<7:6>. These control bits allow the following to be specified:

- Master mode (SCK is the clock output)
- Slave mode (SCK is the clock input)
- Clock Polarity (IDLE state of SCK)
- Clock edge (output data on rising/falling edge of SCK)
- Clock Rate (Master mode only)
- Slave Select mode (Slave mode only)

PIC16F7X

REGISTER 9-1: SSPSTAT: SYNC SERIAL PORT STATUS REGISTER (ADDRESS 94h)

| | | | | | | | |
|-------|-------|-----|-----|-----|-----|-------|-----|
| R/W-0 | R/W-0 | R-0 | R-0 | R-0 | R-0 | R-0 | R-0 |
| SMP | CKE | D/A | P | S | R/W | UA | BF |
| bit 7 | | | | | | bit 0 | |

- bit 7 **SMP:** SPI Data Input Sample Phase bit
SPI Master mode:
 1 = Input data sampled at end of data output time
 0 = Input data sampled at middle of data output time (Microwire®)
SPI Slave mode:
 SMP must be cleared when SPI is used in Slave mode
I²C mode:
 This bit must be maintained clear
- bit 6 **CKE:** SPI Clock Edge Select bit (Figure 9-2, Figure 9-3, and Figure 9-4)
SPI mode, CKP = 0:
 1 = Data transmitted on rising edge of SCK (Microwire® alternate)
 0 = Data transmitted on falling edge of SCK
SPI mode, CKP = 1:
 1 = Data transmitted on falling edge of SCK (Microwire® default)
 0 = Data transmitted on rising edge of SCK
I²C mode:
 This bit must be maintained clear
- bit 5 **D/A:** Data/Address bit (I²C mode only)
 1 = Indicates that the last byte received or transmitted was data
 0 = Indicates that the last byte received or transmitted was address
- bit 4 **P:** STOP bit (I²C mode only)
 This bit is cleared when the SSP module is disabled, or when the START bit is detected last. SSPEN is cleared.
 1 = Indicates that a STOP bit has been detected last (this bit is '0' on RESET)
 0 = STOP bit was not detected last
- bit 3 **S:** START bit (I²C mode only)
 This bit is cleared when the SSP module is disabled, or when the STOP bit is detected last. SSPEN is cleared.
 1 = Indicates that a START bit has been detected last (this bit is '0' on RESET)
 0 = START bit was not detected last
- bit 2 **R/W:** Read/Write bit Information (I²C mode only)
 This bit holds the R/W bit information following the last address match. This bit is only valid from the address match to the next START bit, STOP bit, or ACK bit.
 1 = Read
 0 = Write
- bit 1 **UA:** Update Address bit (10-bit I²C mode only)
 1 = Indicates that the user needs to update the address in the SSPADD register
 0 = Address does not need to be updated
- bit 0 **BF:** Buffer Full Status bit
Receive (SPI and I²C modes):
 1 = Receive complete, SSPBUF is full
 0 = Receive not complete, SSPBUF is empty
Transmit (I²C mode only):
 1 = Transmit in progress, SSPBUF is full
 0 = Transmit complete, SSPBUF is empty

Legend:

| | | |
|--------------------------|------------------|--|
| R = Readable bit | W = Writable bit | U = Unimplemented bit, read as '0' |
| - n = Value at POR reset | '1' = Bit is set | '0' = Bit is cleared x = Bit is unknown |

REGISTER 9-2: SSPCON: SYNC SERIAL PORT CONTROL REGISTER (ADDRESS 14h)

| R/W-0 | R/W-0 | R/W-0 | R/W-0 | R/W-0 | R/W-0 | R/W-0 | R/W-0 |
|-------|-------|-------|-------|-------|-------|-------|-------|
| WCOL | SSPOV | SSPEN | CKP | SSPM3 | SSPM2 | SSPM1 | SSPM0 |
| bit 7 | | | | | bit 0 | | |

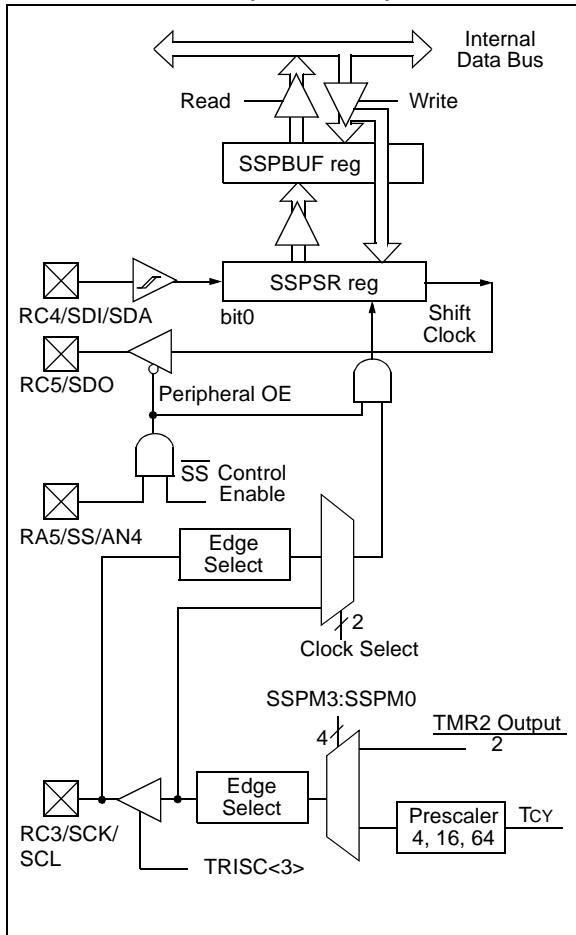
- bit 7 **WCOL**: Write Collision Detect bit
 1 = The SSPBUF register is written while it is still transmitting the previous word (must be cleared in software)
 0 = No collision
- bit 6 **SSPOV**: Receive Overflow Indicator bit
In SPI mode:
 1 = A new byte is received while the SSPBUF register is still holding the previous data. In case of overflow, the data in SSPSR is lost. Overflow can only occur in Slave mode. The user must read the SSPBUF, even if only transmitting data, to avoid setting overflow. In Master mode, the overflow bit is not set since each new reception (and transmission) is initiated by writing to the SSPBUF register.
 0 = No overflow
In I²C mode:
 1 = A byte is received while the SSPBUF register is still holding the previous byte. SSPOV is a “don’t care” in Transmit mode. SSPOV must be cleared in software in either mode.
 0 = No overflow
- bit 5 **SSPEN**: Synchronous Serial Port Enable bit
In SPI mode:
 1 = Enables serial port and configures SCK, SDO, and SDI as serial port pins
 0 = Disables serial port and configures these pins as I/O port pins
In I²C mode:
 1 = Enables the serial port and configures the SDA and SCL pins as serial port pins
 0 = Disables serial port and configures these pins as I/O port pins
 In both modes, when enabled, these pins must be properly configured as input or output.
- bit 4 **CKP**: Clock Polarity Select bit
In SPI mode:
 1 = IDLE state for clock is a high level (Microwire[®] default)
 0 = IDLE state for clock is a low level (Microwire[®] alternate)
In I²C mode:
 SCK release control
 1 = Enable clock
 0 = Holds clock low (clock stretch). (Used to ensure data setup time.)
- bit 3-0 **SSPM3:SSPM0**: Synchronous Serial Port Mode Select bits
 0000 = SPI Master mode, clock = FOSC/4
 0001 = SPI Master mode, clock = FOSC/16
 0010 = SPI Master mode, clock = FOSC/64
 0011 = SPI Master mode, clock = TMR2 output/2
 0100 = SPI Slave mode, clock = SCK pin. \overline{SS} pin control enabled.
 0101 = SPI Slave mode, clock = SCK pin. \overline{SS} pin control disabled. \overline{SS} can be used as I/O pin.
 0110 = I²C Slave mode, 7-bit address
 0111 = I²C Slave mode, 10-bit address
 1011 = I²C Firmware Controlled Master mode (slave IDLE)
 1110 = I²C Slave mode, 7-bit address with START and STOP bit interrupts enabled
 1111 = I²C Slave mode, 10-bit address with START and STOP bit interrupts enabled

Legend:

| | | |
|--------------------------|------------------|--|
| R = Readable bit | W = Writable bit | U = Unimplemented bit, read as '0' |
| - n = Value at POR reset | '1' = Bit is set | '0' = Bit is cleared x = Bit is unknown |

PIC16F7X

FIGURE 9-1: SSP BLOCK DIAGRAM (SPI MODE)



To enable the serial port, SSP enable bit, SSPEN (SSPCON<5>) must be set. To reset or reconfigure SPI mode, clear bit SSPEN, re-initialize the SSPCON register, and then set bit SSPEN. This configures the SDI, SDO, SCK, and SS pins as serial port pins. For the pins to behave as the serial port function, they must have their data direction bits (in the TRISC register) appropriately programmed. That is:

- SDI must have TRISC<4> set
- SDO must have TRISC<5> cleared
- SCK (Master mode) must have TRISC<3> cleared
- SCK (Slave mode) must have TRISC<3> set
- \overline{SS} must have TRISA<5> set and ADCON must be configured such that RA5 is a digital I/O

Note 1: When the SPI is in Slave mode with SS pin control enabled (SSPCON<3:0> = 0100), the SPI module will reset if the SS pin is set to VDD.

2: If the SPI is used in Slave mode with CKE = '1', then the SS pin control must be enabled.

3: When the SPI is in Slave mode with \overline{SS} pin control enabled (SSPCON<3:0> = '0100'), the state of the \overline{SS} pin can affect the state read back from the TRISC<5> bit. The Peripheral OE signal from the SSP module into PORTC controls the state that is read back from the TRISC<5> bit (see Section 4.3 for information on PORTC). If Read-Modify-Write instructions, such as BSF are performed on the TRISC register while the \overline{SS} pin is high, this will cause the TRISC<5> bit to be set, thus disabling the SDO output.

FIGURE 9-2: SPI MODE TIMING, MASTER MODE

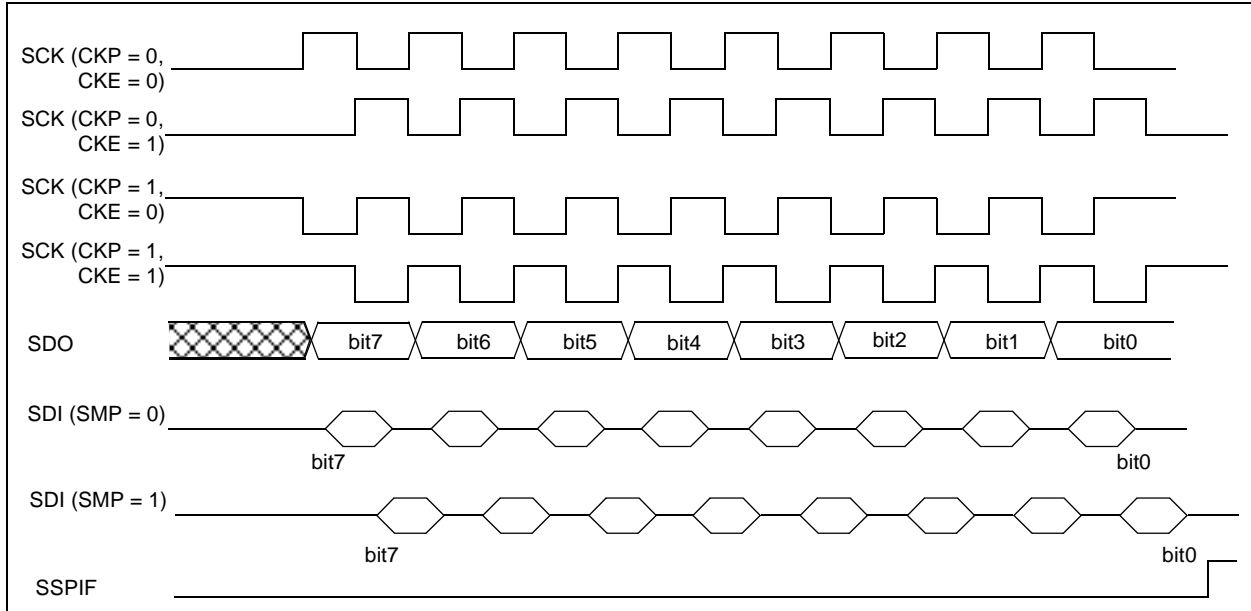


FIGURE 9-3: SPI MODE TIMING (SLAVE MODE WITH CKE = 0)

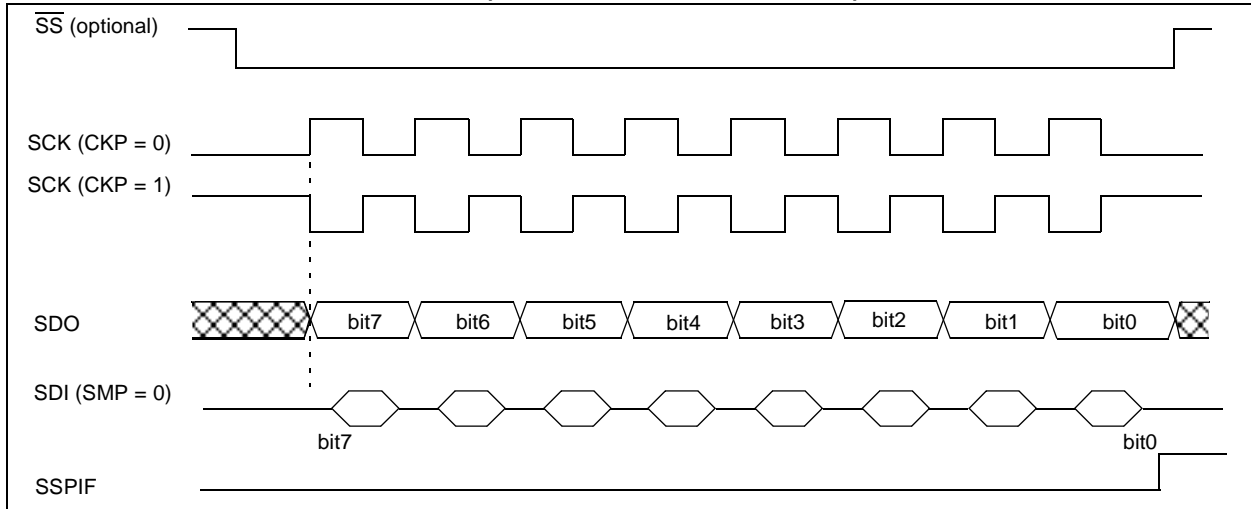
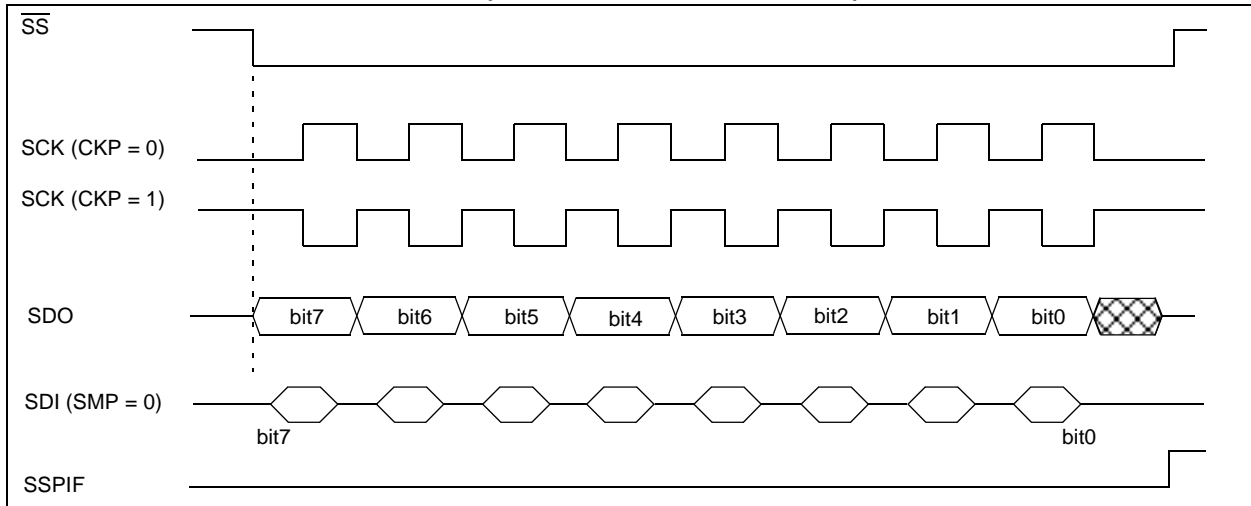


FIGURE 9-4: SPI MODE TIMING (SLAVE MODE WITH CKE = 1)



PIC16F7X

TABLE 9-1: REGISTERS ASSOCIATED WITH SPI OPERATION

| Address | Name | Bit 7 | Bit 6 | Bit 5 | Bit 4 | Bit 3 | Bit 2 | Bit 1 | Bit 0 | Value on: POR, BOR | Value on all other RESETS |
|-----------------------|---------|--|-------|-------------------------------|-------|-------|--------------|--------|--------|--------------------------|---------------------------------|
| 0Bh,8Bh. 10Bh,18Bh | INTCON | GIE | PEIE | TMR0IE | INTE | RBIE | TMR0IF | INTF | RBIF | 0000 000x | 0000 000u |
| 0Ch | PIR1 | PSPIF ⁽¹⁾ | ADIF | RCIF | TXIF | SSPIF | CCP1IF | TMR2IF | TMR1IF | 0000 0000 | 0000 0000 |
| 8Ch | PIE1 | PSPIE ⁽¹⁾ | ADIE | RCIE | TXIE | SSPIE | CCP1IE | TMR2IE | TMR1IE | 0000 0000 | 0000 0000 |
| 87h | TRISC | PORTC Data Direction Register | | | | | | | | 1111 1111 | 1111 1111 |
| 13h | SSPBUF | Synchronous Serial Port Receive Buffer/Transmit Register | | | | | | | | xxxx xxxx | uuuu uuuu |
| 14h | SSPCON | WCOL | SSPOV | SSPEN | CKP | SSPM3 | SSPM2 | SSPM1 | SSPM0 | 0000 0000 | 0000 0000 |
| 85h | TRISA | — | — | PORTA Data Direction Register | | | | | | --11 1111 | --11 1111 |
| 94h | SSPSTAT | SMP | CKE | D/ \bar{A} | P | S | R/ \bar{W} | UA | BF | 0000 0000 | 0000 0000 |

Legend: x = unknown, u = unchanged, - = unimplemented, read as '0'. Shaded cells are not used by the SSP in SPI mode.

Note 1: Bits PSPIE and PSPIF are reserved on the PIC16F73/76; always maintain these bits clear.

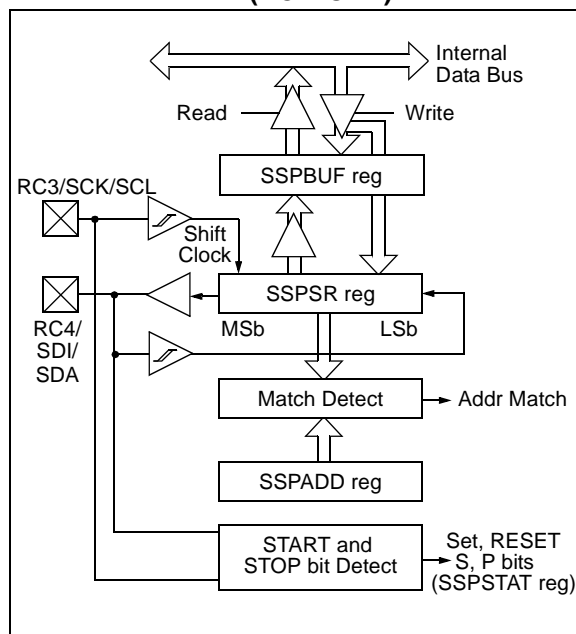
9.3 SSP I²C Operation

The SSP module in I²C mode, fully implements all slave functions, except general call support, and provides interrupts on START and STOP bits in hardware to facilitate firmware implementations of the master functions. The SSP module implements the standard mode specifications as well as 7-bit and 10-bit addressing.

Two pins are used for data transfer. These are the RC3/SCK/SCL pin, which is the clock (SCL), and the RC4/SDI/SDA pin, which is the data (SDA). The user must configure these pins as inputs or outputs through the TRISC<4:3> bits.

The SSP module functions are enabled by setting SSP enable bit SSPEN (SSPCON<5>).

FIGURE 9-5: SSP BLOCK DIAGRAM (I²C MODE)



The SSP module has five registers for I²C operation. These are the:

- SSP Control Register (SSPCON)
- SSP Status Register (SSPSTAT)
- Serial Receive/Transmit Buffer (SSPBUF)
- SSP Shift Register (SSPSR) - Not directly accessible
- SSP Address Register (SSPADD)

The SSPCON register allows control of the I²C operation. Four mode selection bits (SSPCON<3:0>) allow one of the following I²C modes to be selected:

- I²C Slave mode (7-bit address)
- I²C Slave mode (10-bit address)
- I²C Slave mode (7-bit address), with START and STOP bit interrupts enabled to support Firmware Master mode
- I²C Slave mode (10-bit address), with START and STOP bit interrupts enabled to support Firmware Master mode
- I²C START and STOP bit interrupts enabled to support Firmware Master mode, Slave is IDLE

Selection of any I²C mode with the SSPEN bit set, forces the SCL and SDA pins to be open drain, provided these pins are programmed to inputs by setting the appropriate TRISC bits. Pull-up resistors must be provided externally to the SCL and SDA pins for proper operation of the I²C module.

Additional information on SSP I²C operation can be found in the PICmicro™ Mid-Range MCU Family Reference Manual (DS33023A).

9.3.1 SLAVE MODE

In Slave mode, the SCL and SDA pins must be configured as inputs (TRISC<4:3> set). The SSP module will override the input state with the output data when required (slave-transmitter).

When an address is matched, or the data transfer after an address match is received, the hardware automatically will generate the Acknowledge (\overline{ACK}) pulse, and then load the SSPBUF register with the received value currently in the SSPSR register.

There are certain conditions that will cause the SSP module not to give this \overline{ACK} pulse. They include (either or both):

- The buffer full bit BF (SSPSTAT<0>) was set before the transfer was received.
- The overflow bit SSPOV (SSPCON<6>) was set before the transfer was received.

In this case, the SSPSR register value is not loaded into the SSPBUF, but bit SSPIF (PIR1<3>) is set. Table 9-2 shows what happens when a data transfer byte is received, given the status of bits BF and SSPOV. The shaded cells show the condition where user software did not properly clear the overflow condition. Flag bit BF is cleared by reading the SSPBUF register, while bit SSPOV is cleared through software.

The SCL clock input must have a minimum high and low for proper operation. The high and low times of the I²C specification, as well as the requirements of the SSP module, are shown in timing parameter #100 and parameter #101.

PIC16F7X

9.3.1.1 Addressing

Once the SSP module has been enabled, it waits for a START condition to occur. Following the START condition, the 8-bits are shifted into the SSPSR register. All incoming bits are sampled with the rising edge of the clock (SCL) line. The value of register SSPSR<7:1> is compared to the value of the SSPADD register. The address is compared on the falling edge of the eighth clock (SCL) pulse. If the addresses match, and the BF and SSPOV bits are clear, the following events occur:

- The SSPSR register value is loaded into the SSPBUF register.
- The buffer full bit, BF is set.
- An $\overline{\text{ACK}}$ pulse is generated.
- SSP interrupt flag bit, SSPIF (PIR1<3>) is set (interrupt is generated if enabled) - on the falling edge of the ninth SCL pulse.

In 10-bit Address mode, two address bytes need to be received by the slave (Figure 9-7). The five Most Significant bits (MSBs) of the first address byte specify if this is a 10-bit address. Bit $\overline{\text{R/W}}$ (SSPSTAT<2>) must specify a write so the slave device will receive the second address byte. For a 10-bit address, the first byte would equal '1111 0 A9 A8 0', where A9 and A8 are the two MSBs of the address.

The sequence of events for 10-bit address is as follows, with steps 7 - 9 for slave-transmitter:

- Receive first (high) byte of address (bits SSPIF, BF, and bit UA (SSPSTAT<1>) are set).
- Update the SSPADD register with second (low) byte of address (clears bit UA and releases the SCL line).
- Read the SSPBUF register (clears bit BF) and clear flag bit SSPIF.
- Receive second (low) byte of address (bits SSPIF, BF, and UA are set).
- Update the SSPADD register with the first (high) byte of address, if match releases SCL line, this will clear bit UA.
- Read the SSPBUF register (clears bit BF) and clear flag bit SSPIF.
- Receive Repeated START condition.
- Receive first (high) byte of address (bits SSPIF and BF are set).
- Read the SSPBUF register (clears bit BF) and clear flag bit SSPIF.

TABLE 9-2: DATA TRANSFER RECEIVED BYTE ACTIONS

| Status Bits as Data Transfer is Received | | SSPSR → SSPBUF | Generate $\overline{\text{ACK}}$ Pulse | Set bit SSPIF (SSP Interrupt occurs if enabled) |
|--|-------|----------------|--|---|
| BF | SSPOV | | | |
| 0 | 0 | Yes | Yes | Yes |
| 1 | 0 | No | No | Yes |
| 1 | 1 | No | No | Yes |
| 0 | 1 | No | No | Yes |

Note: Shaded cells show the conditions where the user software did not properly clear the overflow condition.

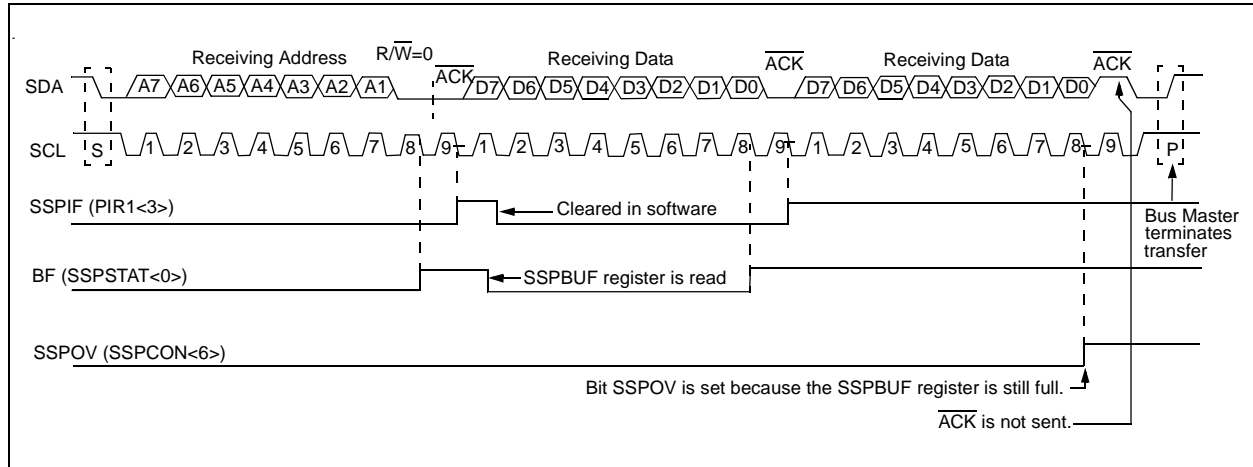
9.3.1.2 Reception

When the $\overline{\text{R/W}}$ bit of the address byte is clear and an address match occurs, the $\overline{\text{R/W}}$ bit of the SSPSTAT register is cleared. The received address is loaded into the SSPBUF register.

When the address byte overflow condition exists, then no Acknowledge (ACK) pulse is given. An overflow condition is defined as either bit BF (SSPSTAT<0>) is set, or bit SSPOV (SSPCON<6>) is set. This is an error condition due to the user's firmware.

An SSP interrupt is generated for each data transfer byte. Flag bit SSPIF (PIR1<3>) must be cleared in software. The SSPSTAT register is used to determine the status of the byte.

FIGURE 9-6: I²C WAVEFORMS FOR RECEPTION (7-BIT ADDRESS)



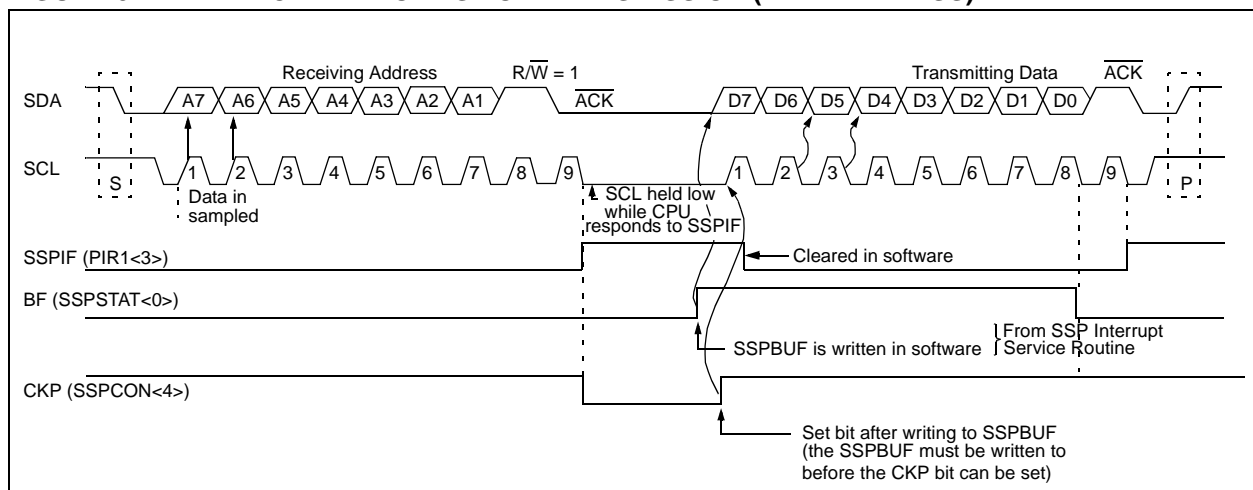
9.3.1.3 Transmission

When the R/W bit of the incoming address byte is set and an address match occurs, the R/W bit of the SSPSTAT register is set. The received address is loaded into the SSPBUF register. The ACK pulse will be sent on the ninth bit, and pin RC3/SCK/SCL is held low. The transmit data must be loaded into the SSPBUF register, which also loads the SSPSR register. Then, pin RC3/SCK/SCL should be enabled by setting bit CKP (SSPCON<4>). The master must monitor the SCL pin prior to asserting another clock pulse. The slave devices may be holding off the master by stretching the clock. The eight data bits are shifted out on the falling edge of the SCL input. This ensures that the SDA signal is valid during the SCL high time (Figure 9-7).

An SSP interrupt is generated for each data transfer byte. Flag bit SSPIF must be cleared in software, and the SSPSTAT register is used to determine the status of the byte. Flag bit SSPIF is set on the falling edge of the ninth clock pulse.

As a slave-transmitter, the ACK pulse from the master-receiver is latched on the rising edge of the ninth SCL input pulse. If the SDA line was high (not ACK), then the data transfer is complete. When the ACK is latched by the slave, the slave logic is reset (resets SSPSTAT register) and the slave then monitors for another occurrence of the START bit. If the SDA line was low (ACK), the transmit data must be loaded into the SSPBUF register, which also loads the SSPSR register. Then pin RC3/SCK/SCL should be enabled by setting bit CKP.

FIGURE 9-7: I²C WAVEFORMS FOR TRANSMISSION (7-BIT ADDRESS)



PIC16F7X

9.3.2 MASTER MODE

Master mode of operation is supported in firmware using interrupt generation on the detection of the START and STOP conditions. The STOP (P) and START (S) bits are cleared from a RESET or when the SSP module is disabled. The STOP (P) and START (S) bits will toggle based on the START and STOP conditions. Control of the I²C bus may be taken when the P bit is set, or the bus is IDLE and both the S and P bits are clear.

In Master mode, the SCL and SDA lines are manipulated by clearing the corresponding TRISC<4:3> bit(s). The output level is always low, irrespective of the value(s) in PORTC<4:3>. So when transmitting data, a '1' data bit must have the TRISC<4> bit set (input) and a '0' data bit must have the TRISC<4> bit cleared (output). The same scenario is true for the SCL line with the TRISC<3> bit. Pull-up resistors must be provided externally to the SCL and SDA pins for proper operation of the I²C module.

The following events will cause SSP Interrupt Flag bit, SSPIF, to be set (SSP Interrupt will occur if enabled):

- START condition
- STOP condition
- Data transfer byte transmitted/received

Master mode of operation can be done with either the Slave mode IDLE (SSPM3:SSPM0 = 1011), or with the Slave active. When both Master and Slave modes are enabled, the software needs to differentiate the source(s) of the interrupt.

9.3.3 MULTI-MASTER MODE

In Multi-Master mode, the interrupt generation on the detection of the START and STOP conditions, allows the determination of when the bus is free. The STOP (P) and START (S) bits are cleared from a RESET or when the SSP module is disabled. The STOP (P) and START (S) bits will toggle based on the START and STOP conditions. Control of the I²C bus may be taken when bit P (SSPSTAT<4>) is set, or the bus is IDLE and both the S and P bits clear. When the bus is busy, enabling the SSP Interrupt will generate the interrupt when the STOP condition occurs.

In Multi-Master operation, the SDA line must be monitored to see if the signal level is the expected output level. This check only needs to be done when a high level is output. If a high level is expected and a low level is present, the device needs to release the SDA and SCL lines (set TRISC<4:3>). There are two stages where this arbitration can be lost, these are:

- Address Transfer
- Data Transfer

When the slave logic is enabled, the slave continues to receive. If arbitration was lost during the address transfer stage, communication to the device may be in progress. If addressed, an ACK pulse will be generated. If arbitration was lost during the data transfer stage, the device will need to retransfer the data at a later time.

TABLE 9-3: REGISTERS ASSOCIATED WITH I²C OPERATION

| Address | Name | Bit 7 | Bit 6 | Bit 5 | Bit 4 | Bit 3 | Bit 2 | Bit 1 | Bit 0 | Value on: POR, BOR | Value on all other RESETS |
|----------------------|---------|--|--------------------|--------|-------|-------|--------|--------|--------|--------------------|---------------------------|
| 0Bh, 8Bh, 10Bh, 18Bh | INTCON | GIE | PEIE | TMR0IE | INTE | RBIE | TMR0IF | INTF | RBIF | 0000 000x | 0000 000u |
| 0Ch | PIR1 | PSPIF ⁽¹⁾ | ADIF | RCIF | TXIF | SSPIF | CCP1IF | TMR2IF | TMR1IF | 0000 0000 | 0000 0000 |
| 8Ch | PIE1 | PSPIE ⁽¹⁾ | ADIE | RCIE | TXIE | SSPIE | CCP1IE | TMR2IE | TMR1IE | 0000 0000 | 0000 0000 |
| 13h | SSPBUF | Synchronous Serial Port Receive Buffer/Transmit Register | | | | | | | | xxxx xxxx | uuuu uuuu |
| 93h | SSPADD | Synchronous Serial Port (I ² C mode) Address Register | | | | | | | | 0000 0000 | 0000 0000 |
| 14h | SSPCON | WCOL | SSPOV | SSPEN | CKP | SSPM3 | SSPM2 | SSPM1 | SSPM0 | 0000 0000 | 0000 0000 |
| 94h | SSPSTAT | SMP ⁽²⁾ | CKE ⁽²⁾ | D/A | P | S | R/W | UA | BF | 0000 0000 | 0000 0000 |
| 87h | TRISC | PORTC Data Direction Register | | | | | | | | 1111 1111 | 1111 1111 |

Legend: x = unknown, u = unchanged, - = unimplemented locations read as '0'. Shaded cells are not used by SSP module in I²C mode.

Note 1: PSPIF and PSPIE are reserved on the PIC16F73/76; always maintain these bits clear.

2: Maintain these bits clear in I²C mode.

10.0 UNIVERSAL SYNCHRONOUS ASYNCHRONOUS RECEIVER TRANSMITTER (USART)

The Universal Synchronous Asynchronous Receiver Transmitter (USART) module is one of the two serial I/O modules. (USART is also known as a Serial Communications Interface or SCI.) The USART can be configured as a full duplex asynchronous system that can communicate with peripheral devices, such as CRT terminals and personal computers, or it can be configured as a half duplex synchronous system that can communicate with peripheral devices, such as A/D or D/A integrated circuits, serial EEPROMs, etc.

The USART can be configured in the following modes:

- Asynchronous (full duplex)
- Synchronous - Master (half duplex)
- Synchronous - Slave (half duplex)

Bit SPEN (RCSTA<7>) and bits TRISC<7:6> have to be set in order to configure pins RC6/TX/CK and RC7/RX/DT as the Universal Synchronous Asynchronous Receiver Transmitter.

REGISTER 10-1: TXSTA: TRANSMIT STATUS AND CONTROL REGISTER (ADDRESS 98h)

| R/W-0 | R/W-0 | R/W-0 | R/W-0 | U-0 | R/W-0 | R-1 | R/W-0 |
|-------|-------|-------|-------|-----|-------|------|-------|
| CSRC | TX9 | TXEN | SYNC | — | BRGH | TRMT | TX9D |
| bit 7 | | | | | | | bit 0 |

- bit 7 **CSRC:** Clock Source Select bit
Asynchronous mode:
 Don't care
Synchronous mode:
 1 = Master mode (clock generated internally from BRG)
 0 = Slave mode (clock from external source)
- bit 6 **TX9:** 9-bit Transmit Enable bit
 1 = Selects 9-bit transmission
 0 = Selects 8-bit transmission
- bit 5 **TXEN:** Transmit Enable bit
 1 = Transmit enabled
 0 = Transmit disabled
Note: SREN/CREN overrides TXEN in Sync mode.
- bit 4 **SYNC:** USART Mode Select bit
 1 = Synchronous mode
 0 = Asynchronous mode
- bit 3 **Unimplemented:** Read as '0'
- bit 2 **BRGH:** High Baud Rate Select bit
Asynchronous mode:
 1 = High speed
 0 = Low speed
Synchronous mode:
 Unused in this mode
- bit 1 **TRMT:** Transmit Shift Register Status bit
 1 = TSR empty
 0 = TSR full
- bit 0 **TX9D:** 9th bit of Transmit Data
 Can be parity bit

Legend:

| | | |
|--------------------------|------------------|--|
| R = Readable bit | W = Writable bit | U = Unimplemented bit, read as '0' |
| - n = Value at POR reset | '1' = Bit is set | '0' = Bit is cleared x = Bit is unknown |

PIC16F7X

REGISTER 10-2: RCSTA: RECEIVE STATUS AND CONTROL REGISTER (ADDRESS 18h)

| R/W-0 | R/W-0 | R/W-0 | R/W-0 | U-0 | R-0 | R-0 | R-x |
|-------|-------|-------|-------|-----|------|------|-------|
| SPEN | RX9 | SREN | CREN | — | FERR | OERR | RX9D |
| bit 7 | | | | | | | bit 0 |

- bit 7 **SPEN:** Serial Port Enable bit
1 = Serial port enabled (configures RC7/RX/DT and RC6/TX/CK pins as serial port pins)
0 = Serial port disabled
- bit 6 **RX9:** 9-bit Receive Enable bit
1 = Selects 9-bit reception
0 = Selects 8-bit reception
- bit 5 **SREN:** Single Receive Enable bit
Asynchronous mode:
Don't care
Synchronous mode - Master:
1 = Enables single receive
0 = Disables single receive
This bit is cleared after reception is complete.
Synchronous mode - Slave:
Don't care
- bit 4 **CREN:** Continuous Receive Enable bit
Asynchronous mode:
1 = Enables continuous receive
0 = Disables continuous receive
Synchronous mode:
1 = Enables continuous receive until enable bit CREN is cleared (CREN overrides SREN)
0 = Disables continuous receive
- bit 3 **Unimplemented:** Read as '0'
- bit 2 **FERR:** Framing Error bit
1 = Framing error (can be updated by reading RCREG register and receive next valid byte)
0 = No framing error
- bit 1 **OERR:** Overrun Error bit
1 = Overrun error (can be cleared by clearing bit CREN)
0 = No overrun error
- bit 0 **RX9D:** 9th bit of Received Data
Can be parity bit (parity to be calculated by firmware)

Legend:

| | | |
|--------------------------|------------------|--|
| R = Readable bit | W = Writable bit | U = Unimplemented bit, read as '0' |
| - n = Value at POR reset | '1' = Bit is set | '0' = Bit is cleared x = Bit is unknown |

10.1 USART Baud Rate Generator (BRG)

The BRG supports both the Asynchronous and Synchronous modes of the USART. It is a dedicated 8-bit baud rate generator. The SPBRG register controls the period of a free running 8-bit timer. In Asynchronous mode, bit BRGH (TXSTA<2>) also controls the baud rate. In Synchronous mode, bit BRGH is ignored. Table 10-1 shows the formula for computation of the baud rate for different USART modes which only apply in Master mode (internal clock).

Given the desired baud rate and FOSC, the nearest integer value for the SPBRG register can be calculated using the formula in Table 10-1. From this, the error in baud rate can be determined.

It may be advantageous to use the high baud rate (BRGH = 1), even for slower baud clocks. This is because the $F_{OSC}/(16(X + 1))$ equation can reduce the baud rate error in some cases.

Writing a new value to the SPBRG register causes the BRG timer to be reset (or cleared). This ensures the BRG does not wait for a timer overflow before outputting the new baud rate.

10.1.1 SAMPLING

The data on the RC7/RX/DT pin is sampled three times by a majority detect circuit to determine if a high or a low level is present at the RX pin.

TABLE 10-1: BAUD RATE FORMULA

| SYNC | BRGH = 0 (Low Speed) | BRGH = 1 (High Speed) |
|------|--|---------------------------------|
| 0 | (Asynchronous) Baud Rate = $F_{OSC}/(64(X+1))$ | Baud Rate = $F_{OSC}/(16(X+1))$ |
| 1 | (Synchronous) Baud Rate = $F_{OSC}/(4(X+1))$ | N/A |

X = value in SPBRG (0 to 255)

TABLE 10-2: REGISTERS ASSOCIATED WITH BAUD RATE GENERATOR

| Address | Name | Bit 7 | Bit 6 | Bit 5 | Bit 4 | Bit 3 | Bit 2 | Bit 1 | Bit 0 | Value on: POR, BOR | Value on all other RESETS |
|---------|-------|------------------------------|-------|-------|-------|-------|-------|-------|-------|--------------------------|---------------------------------|
| 98h | TXSTA | CSRC | TX9 | TXEN | SYNC | — | BRGH | TRMT | TX9D | 0000 -010 | 0000 -010 |
| 18h | RCSTA | SPEN | RX9 | SREN | CREN | — | FERR | OERR | RX9D | 0000 -00x | 0000 -00x |
| 99h | SPBRG | Baud Rate Generator Register | | | | | | | | 0000 0000 | 0000 0000 |

Legend: x = unknown, - = unimplemented, read as '0'. Shaded cells are not used by the BRG.

PIC16F7X

TABLE 10-3: BAUD RATES FOR ASYNCHRONOUS MODE (BRGH = 0)

| BAUD RATE | Fosc = 20 MHz | | | Fosc = 16 MHz | | | Fosc = 10 MHz | | |
|-----------|---------------|---------|-----------------------|---------------|---------|-----------------------|---------------|---------|-----------------------|
| | BAUD | % ERROR | SPBRG VALUE (DECIMAL) | BAUD | % ERROR | SPBRG VALUE (DECIMAL) | BAUD | % ERROR | SPBRG VALUE (DECIMAL) |
| 1200 | 1,221 | 1.73% | 255 | 1,202 | 0.16% | 207 | 1,202 | 0.16% | 129 |
| 2400 | 2,404 | 0.16% | 129 | 2,404 | 0.16% | 103 | 2,404 | 0.16% | 64 |
| 9600 | 9,470 | -1.36% | 32 | 9,615 | 0.16% | 25 | 9,766 | 1.73% | 15 |
| 19,200 | 19,531 | 1.73% | 15 | 19,231 | 0.16% | 12 | 19,531 | 1.73% | 7 |
| 38,400 | 39,063 | 1.73% | 7 | 35,714 | -6.99% | 6 | 39,063 | 1.73% | 3 |
| 57,600 | 62,500 | 8.51% | 4 | 62,500 | 8.51% | 3 | 52,083 | -9.58% | 2 |
| 76,800 | 78,125 | 1.73% | 3 | 83,333 | 8.51% | 2 | 78,125 | 1.73% | 1 |
| 96,000 | 104,167 | 8.51% | 2 | 83,333 | -13.19% | 2 | 78,125 | -18.62% | 1 |
| 115,200 | 104,167 | -9.58% | 2 | 125,000 | 8.51% | 1 | 78,125 | -32.18% | 1 |
| 250,000 | 312,500 | 25.00% | 0 | 250,000 | 0.00% | 0 | 156,250 | -37.50% | 0 |

| BAUD RATE | Fosc = 4 MHz | | | Fosc = 3.6864 MHz | | | Fosc = 3.579545 MHz | | |
|-----------|--------------|---------|-----------------------|-------------------|---------|-----------------------|---------------------|---------|-----------------------|
| | BAUD | % ERROR | SPBRG VALUE (DECIMAL) | BAUD | % ERROR | SPBRG VALUE (DECIMAL) | BAUD | % ERROR | SPBRG VALUE (DECIMAL) |
| 300 | 300 | 0.16% | 207 | 300 | 0.00% | 191 | 301 | 0.23% | 185 |
| 1200 | 1,202 | 0.16% | 51 | 1,200 | 0.00% | 47 | 1,190 | -0.83% | 46 |
| 2400 | 2,404 | 0.16% | 25 | 2,400 | 0.00% | 23 | 2,432 | 1.32% | 22 |
| 9600 | 8,929 | -6.99% | 6 | 9,600 | 0.00% | 5 | 9,322 | -2.90% | 5 |
| 19,200 | 20,833 | 8.51% | 2 | 19,200 | 0.00% | 2 | 18,643 | -2.90% | 2 |
| 38,400 | 31,250 | -18.62% | 1 | 28,800 | -25.00% | 1 | 27,965 | -27.17% | 1 |
| 57,600 | 62,500 | 8.51% | 0 | 57,600 | 0.00% | 0 | 55,930 | -2.90% | 0 |
| 76,800 | 62,500 | -18.62% | 0 | — | — | — | — | — | — |

TABLE 10-4: BAUD RATES FOR ASYNCHRONOUS MODE (BRGH = 1)

| BAUD RATE | Fosc = 20 MHz | | | Fosc = 16 MHz | | | Fosc = 10 MHz | | |
|-----------|---------------|---------|-----------------------|---------------|---------|-----------------------|---------------|---------|-----------------------|
| | BAUD | % ERROR | SPBRG VALUE (DECIMAL) | BAUD | % ERROR | SPBRG VALUE (DECIMAL) | BAUD | % ERROR | SPBRG VALUE (DECIMAL) |
| 2400 | — | — | — | — | — | — | 2,441 | 1.73% | 255 |
| 9600 | 9,615 | 0.16% | 129 | 9,615 | 0.16% | 103 | 9,615 | 0.16% | 64 |
| 19,200 | 19,231 | 0.16% | 64 | 19,231 | 0.16% | 51 | 18,939 | -1.36% | 32 |
| 38,400 | 37,879 | -1.36% | 32 | 38,462 | 0.16% | 25 | 39,063 | 1.73% | 15 |
| 57,600 | 56,818 | -1.36% | 21 | 58,824 | 2.12% | 16 | 56,818 | -1.36% | 10 |
| 76,800 | 78,125 | 1.73% | 15 | 76,923 | 0.16% | 12 | 78,125 | 1.73% | 7 |
| 96,000 | 96,154 | 0.16% | 12 | 100,000 | 4.17% | 9 | 89,286 | -6.99% | 6 |
| 115,200 | 113,636 | -1.36% | 10 | 111,111 | -3.55% | 8 | 125,000 | 8.51% | 4 |
| 250,000 | 250,000 | 0.00% | 4 | 250,000 | 0.00% | 3 | 208,333 | -16.67% | 2 |
| 300,000 | 312,500 | 4.17% | 3 | 333,333 | 11.11% | 2 | 312,500 | 4.17% | 1 |

| BAUD RATE (K) | Fosc = 4 MHz | | | Fosc = 3.6864 MHz | | | Fosc = 3.579545 MHz | | |
|---------------|--------------|---------|-----------------------|-------------------|---------|-----------------------|---------------------|---------|-----------------------|
| | BAUD | % ERROR | SPBRG VALUE (DECIMAL) | BAUD | % ERROR | SPBRG VALUE (DECIMAL) | BAUD | % ERROR | SPBRG VALUE (DECIMAL) |
| 1200 | 1,202 | 0.16% | 207 | 1,200 | 0.00% | 191 | 1,203 | 0.23% | 185 |
| 2400 | 2,404 | 0.16% | 103 | 2,400 | 0.00% | 95 | 2,406 | 0.23% | 92 |
| 9600 | 9,615 | 0.16% | 25 | 9,600 | 0.00% | 23 | 9,727 | 1.32% | 22 |
| 19,200 | 19,231 | 0.16% | 12 | 19,200 | 0.00% | 11 | 18,643 | -2.90% | 11 |
| 38,400 | 35,714 | -6.99% | 6 | 38,400 | 0.00% | 5 | 37,287 | -2.90% | 5 |
| 57,600 | 62,500 | 8.51% | 3 | 57,600 | 0.00% | 3 | 55,930 | -2.90% | 3 |
| 76,800 | 83,333 | 8.51% | 2 | 76,800 | 0.00% | 2 | 74,574 | -2.90% | 2 |
| 96,000 | 83,333 | -13.19% | 2 | 115,200 | 20.00% | 1 | 111,861 | 16.52% | 1 |
| 115,200 | 125,000 | 8.51% | 1 | 115,200 | 0.00% | 1 | 111,861 | -2.90% | 1 |
| 250,000 | 250,000 | 0.00% | 0 | 230,400 | -7.84% | 0 | 223,722 | -10.51% | 0 |

10.2 USART Asynchronous Mode

In this mode, the USART uses standard non-return-to-zero (NRZ) format (one START bit, eight or nine data bits, and one STOP bit). The most common data format is 8-bits. An on-chip, dedicated, 8-bit baud rate generator can be used to derive standard baud rate frequencies from the oscillator. The USART transmits and receives the LSb first. The USART's transmitter and receiver are functionally independent, but use the same data format and baud rate. The baud rate generator produces a clock, either x16 or x64 of the bit shift rate, depending on bit BRGH (TXSTA<2>). Parity is not supported by the hardware, but can be implemented in software (and stored as the ninth data bit). Asynchronous mode is stopped during SLEEP.

Asynchronous mode is selected by clearing bit SYNC (TXSTA<4>).

The USART Asynchronous module consists of the following important elements:

- Baud Rate Generator
- Sampling Circuit
- Asynchronous Transmitter
- Asynchronous Receiver

10.2.1 USART ASYNCHRONOUS TRANSMITTER

The USART transmitter block diagram is shown in Figure 10-1. The heart of the transmitter is the transmit (serial) shift register (TSR). The shift register obtains its data from the read/write transmit buffer, TXREG. The TXREG register is loaded with data by firmware. The TSR register is not loaded until the STOP bit has been transmitted from the previous load. As soon as the STOP bit is transmitted, the TSR is loaded with new data from the TXREG register (if available). Once the TXREG register transfers the data to the TSR register, the TXREG register is empty. One instruction cycle later, flag bit TXIF (PIR1<4>) and flag bit TRMT (TXSTA<1>)

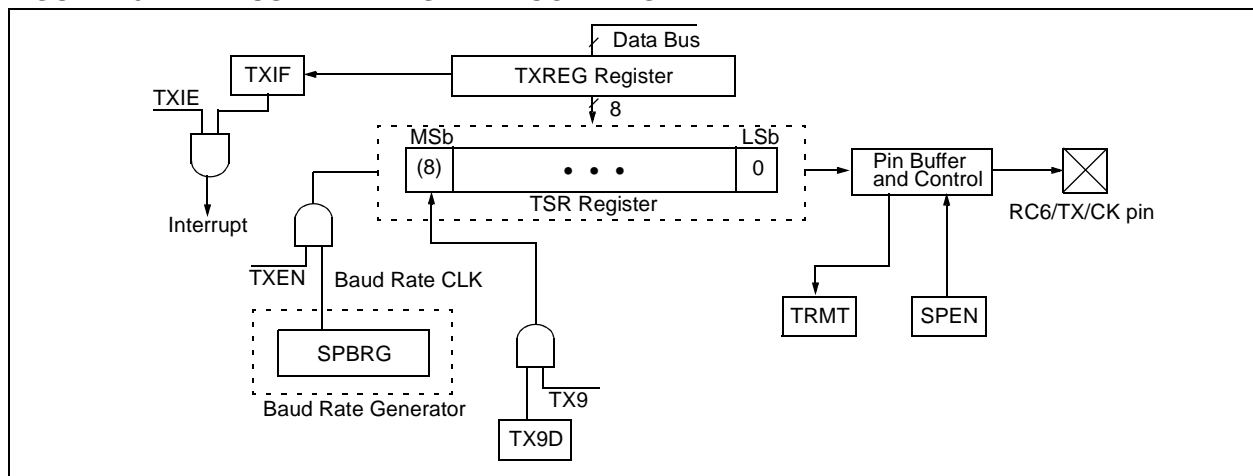
are set. The TXIF interrupt can be enabled/disabled by setting/clearing enable bit TXIE (PIE1<4>). Flag bit TXIF will be set, regardless of the state of enable bit TXIE and cannot be cleared in software. It will reset only when new data is loaded into the TXREG register. While flag bit TXIF indicates the status of the TXREG register, another bit TRMT (TXSTA<1>) shows the status of the TSR register. Status bit TRMT is a read only bit, which is set one instruction cycle after the TSR register becomes empty, and is cleared one instruction cycle after the TSR register is loaded. No interrupt logic is tied to this bit, so the user has to poll this bit in order to determine if the TSR register is empty.

- Note 1:** The TSR register is not mapped in data memory, so it is not available to the user.
- 2:** Flag bit TXIF is set when enable bit TXEN is set. TXIF is cleared by loading TXREG.

Transmission is enabled by setting enable bit TXEN (TXSTA<5>). The actual transmission will not occur until the TXREG register has been loaded with data and the baud rate generator (BRG) has produced a shift clock (Figure 10-2). The transmission can also be started by first loading the TXREG register and then setting enable bit TXEN. Normally, when transmission is first started, the TSR register is empty. At that point, transfer to the TXREG register will result in an immediate transfer to TSR, resulting in an empty TXREG. A back-to-back transfer is thus possible (Figure 10-3). Clearing enable bit TXEN during a transmission will cause the transmission to be aborted and will reset the transmitter. As a result, the RC6/TX/CK pin will revert to hi-impedance.

In order to select 9-bit transmission, transmit bit TX9 (TXSTA<6>) should be set and the ninth bit should be written to TX9D (TXSTA<0>). The ninth bit must be written before writing the 8-bit data to the TXREG register. This is because a data write to the TXREG register can result in an immediate transfer of the data to the TSR register (if the TSR is empty). In such a case, an incorrect ninth data bit may be loaded in the TSR register.

FIGURE 10-1: USART TRANSMIT BLOCK DIAGRAM



PIC16F7X

Steps to follow when setting up an Asynchronous Transmission:

1. Initialize the SPBRG register for the appropriate baud rate. If a high speed baud rate is desired, set bit BRGH (Section 10.1).
2. Enable the asynchronous serial port by clearing bit SYNC and setting bit SPEN.
3. If interrupts are desired, then set enable bit TXIE.
4. If 9-bit transmission is desired, then set transmit bit TX9.
5. Enable the transmission by setting bit TXEN, which will also set bit TXIF.
6. If 9-bit transmission is selected, the ninth bit should be loaded in bit TX9D.
7. Load data to the TXREG register (starts transmission).
8. If using interrupts, ensure that GIE and PEIE in the INTCON register are set.

FIGURE 10-2: ASYNCHRONOUS MASTER TRANSMISSION

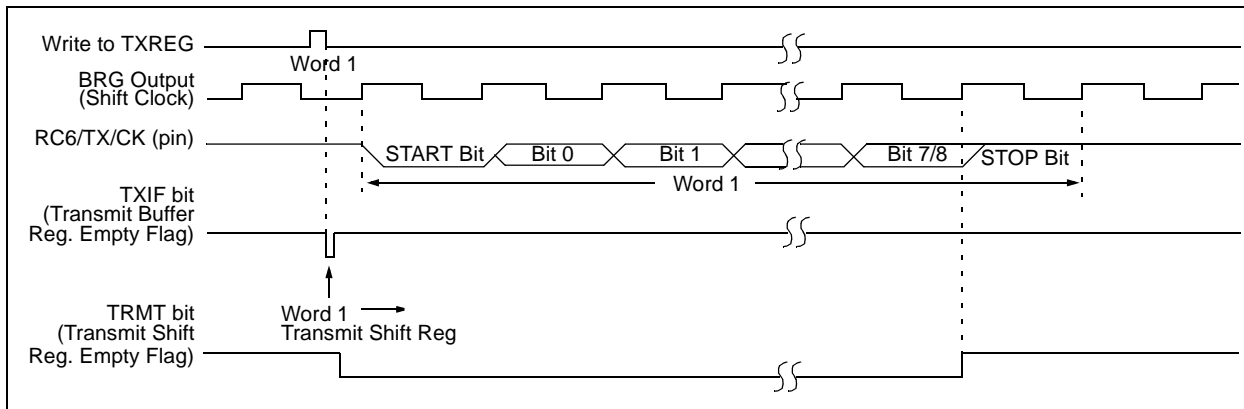


FIGURE 10-3: ASYNCHRONOUS MASTER TRANSMISSION (BACK TO BACK)

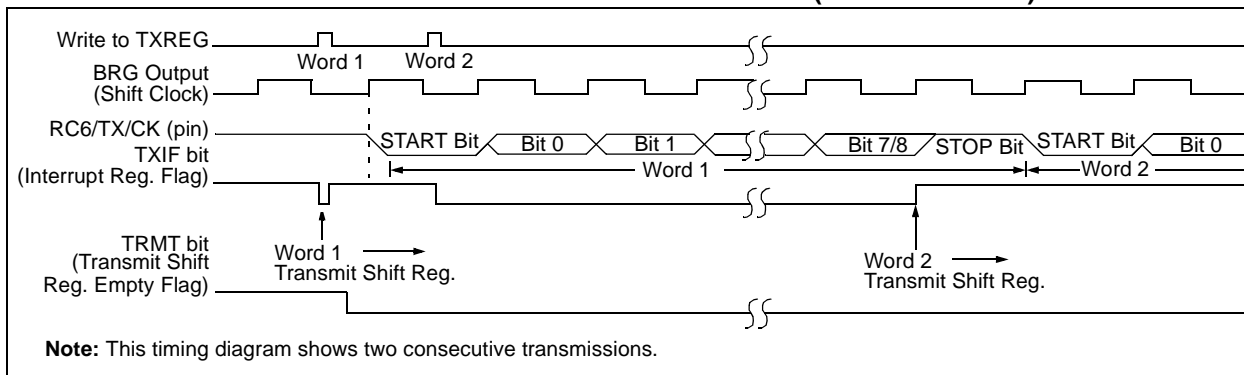


TABLE 10-5: REGISTERS ASSOCIATED WITH ASYNCHRONOUS TRANSMISSION

| Address | Name | Bit 7 | Bit 6 | Bit 5 | Bit 4 | Bit 3 | Bit 2 | Bit 1 | Bit 0 | Value on: POR, BOR | Value on all other RESETS |
|-------------------------|--------|------------------------------|-------|--------|-------|-------|--------|--------|--------|--------------------------|---------------------------------|
| 0Bh, 8Bh, 10Bh, 18Bh | INTCON | GIE | PEIE | TMR0IE | INTE | RBIE | TMR0IF | INTF | RBIF | 0000 000x | 0000 000u |
| 0Ch | PIR1 | PSPIF ⁽¹⁾ | ADIF | RCIF | TXIF | SSPIF | CCP1IF | TMR2IF | TMR1IF | 0000 0000 | 0000 0000 |
| 18h | RCSTA | SPEN | RX9 | SREN | CREN | — | FERR | OERR | RX9D | 0000 -00x | 0000 -00x |
| 19h | TXREG | USART Transmit Register | | | | | | | | 0000 0000 | 0000 0000 |
| 8Ch | PIE1 | PSPIE ⁽¹⁾ | ADIE | RCIE | TXIE | SSPIE | CCP1IE | TMR2IE | TMR1IE | 0000 0000 | 0000 0000 |
| 98h | TXSTA | CSRC | TX9 | TXEN | SYNC | — | BRGH | TRMT | TX9D | 0000 -010 | 0000 -010 |
| 99h | SPBRG | Baud Rate Generator Register | | | | | | | | 0000 0000 | 0000 0000 |

Legend: x = unknown, - = unimplemented locations read as '0'. Shaded cells are not used for asynchronous transmission.

Note 1: Bits PSPIE and PSPIF are reserved on the PIC16F73/76; always maintain these bits clear.

10.2.2 USART ASYNCHRONOUS RECEIVER

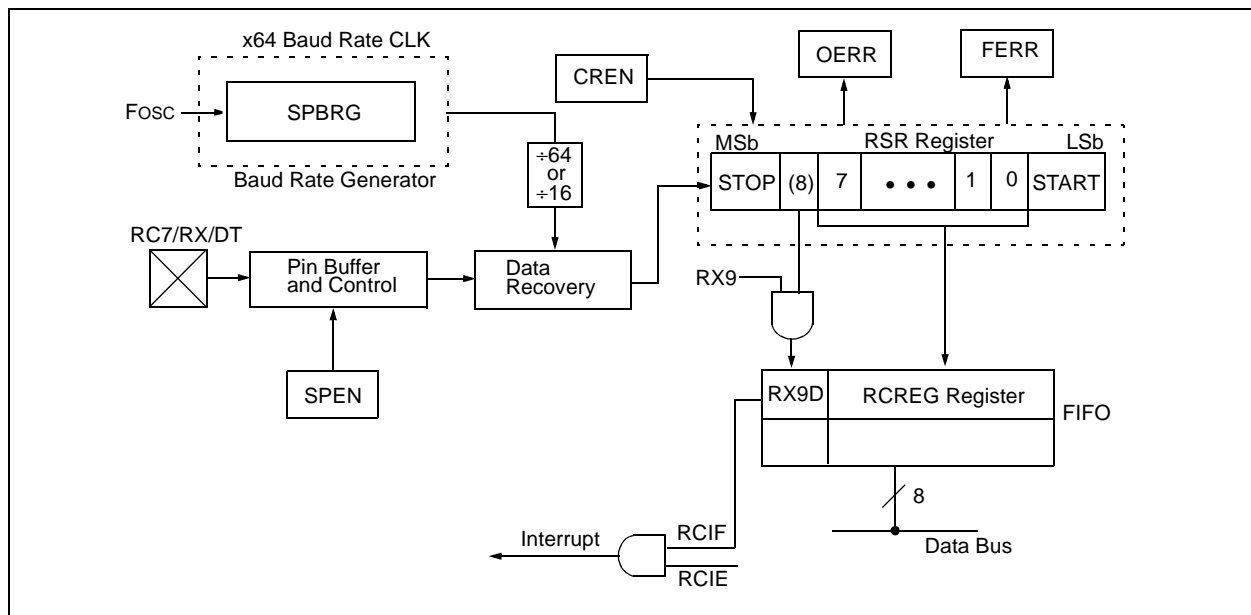
The receiver block diagram is shown in Figure 10-4. The data is received on the RC7/RX/DT pin and drives the data recovery block. The data recovery block is actually a high speed shifter operating at x16 times the baud rate, whereas the main receive serial shifter operates at the bit rate, or at FOSC.

Once Asynchronous mode is selected, reception is enabled by setting bit CREN (RCSTA<4>).

The heart of the receiver is the receive (serial) shift register (RSR). After sampling the STOP bit, the received data in the RSR is transferred to the RCREG register (if it is empty). If the transfer is complete, flag bit RCIF (PIR1<5>) is set. The actual interrupt can be enabled/disabled by setting/clearing enable bit RCIE (PIE1<5>). Flag bit RCIF is a read only bit which is cleared by the hardware. It is cleared when the RCREG register has been read and is empty. The RCREG is a double buffered register (i.e., it is a two deep FIFO). It

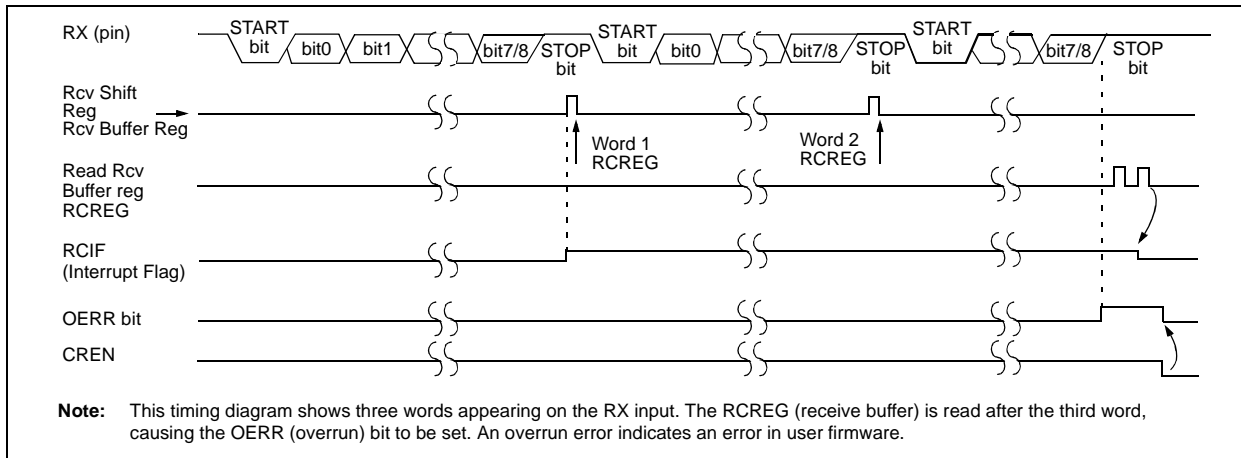
is possible for two bytes of data to be received and transferred to the RCREG FIFO and a third byte to begin shifting to the RSR register. On the detection of the STOP bit of the third byte, if the RCREG register is still full, the overrun error bit OERR (RCSTA<1>) will be set. The word in the RSR will be lost. The RCREG register can be read twice to retrieve the two bytes in the FIFO. Overrun bit OERR has to be cleared in software. This is done by resetting the receive logic (CREN is cleared and then set). If bit OERR is set, transfers from the RSR register to the RCREG register are inhibited and no further data will be received, therefore, it is essential to clear error bit OERR if it is set. Framing error bit FERR (RCSTA<2>) is set if a STOP bit is detected as clear. Bit FERR and the 9th receive bit are buffered the same way as the receive data. Reading the RCREG will load bits RX9D and FERR with new values, therefore, it is essential for the user to read the RCSTA register before reading RCREG register, in order not to lose the old FERR and RX9D information.

FIGURE 10-4: USART RECEIVE BLOCK DIAGRAM



PIC16F7X

FIGURE 10-5: ASYNCHRONOUS RECEPTION



Steps to follow when setting up an Asynchronous Reception:

1. Initialize the SPBRG register for the appropriate baud rate. If a high speed baud rate is desired, set bit BRGH (Section 10.1).
2. Enable the asynchronous serial port by clearing bit SYNC and setting bit SPEN.
3. If interrupts are desired, then set enable bit RCIE.
4. If 9-bit reception is desired, then set bit RX9.
5. Enable the reception by setting bit CREN.
6. Flag bit RCIF will be set when reception is complete and an interrupt will be generated if enable bit RCIE is set.
7. Read the RCSTA register to get the ninth bit (if enabled) and determine if any error occurred during reception.
8. Read the 8-bit received data by reading the RCREG register.
9. If any error occurred, clear the error by clearing enable bit CREN.
10. If using interrupts, ensure that GIE and PEIE in the INTCON register are set.

TABLE 10-6: REGISTERS ASSOCIATED WITH ASYNCHRONOUS RECEPTION

| Address | Name | Bit 7 | Bit 6 | Bit 5 | Bit 4 | Bit 3 | Bit 2 | Bit 1 | Bit 0 | Value on: POR, BOR | Value on all other RESETS |
|----------------------|--------|------------------------------|-------|--------|-------|-------|--------|--------|--------|--------------------|---------------------------|
| 0Bh, 8Bh, 10Bh, 18Bh | INTCON | GIE | PEIE | TMR0IE | INTE | RBIE | TMR0IF | INTF | RBIF | 0000 000x | 0000 000u |
| 0Ch | PIR1 | PSPIF ⁽¹⁾ | ADIF | RCIF | TXIF | SSPIF | CCP1IF | TMR2IF | TMR1IF | 0000 0000 | 0000 0000 |
| 18h | RCSTA | SPEN | RX9 | SREN | CREN | — | FERR | OERR | RX9D | 0000 -00x | 0000 -00x |
| 1Ah | RCREG | USART Receive Register | | | | | | | | 0000 0000 | 0000 0000 |
| 8Ch | PIE1 | PSPIE ⁽¹⁾ | ADIE | RCIE | TXIE | SSPIE | CCP1IE | TMR2IE | TMR1IE | 0000 0000 | 0000 0000 |
| 98h | TXSTA | CSRC | TX9 | TXEN | SYNC | — | BRGH | TRMT | TX9D | 0000 -010 | 0000 -010 |
| 99h | SPBRG | Baud Rate Generator Register | | | | | | | | 0000 0000 | 0000 0000 |

Legend: x = unknown, - = unimplemented locations read as '0'. Shaded cells are not used for asynchronous reception.

Note 1: Bits PSPIE and PSPIF are reserved on the PIC16F73/76 devices; always maintain these bits clear.

10.3 USART Synchronous Master Mode

In Synchronous Master mode, the data is transmitted in a half-duplex manner (i.e., transmission and reception do not occur at the same time). When transmitting data, the reception is inhibited and vice versa. Synchronous mode is entered by setting bit SYNC (TXSTA<4>). In addition, enable bit SPEN (RCSTA<7>) is set in order to configure the RC6/TX/CK and RC7/RX/DT I/O pins to CK (clock) and DT (data) lines, respectively. The Master mode indicates that the processor transmits the master clock on the CK line. The Master mode is entered by setting bit CSRC (TXSTA<7>).

10.3.1 USART SYNCHRONOUS MASTER TRANSMISSION

The USART transmitter block diagram is shown in Figure 10-1. The heart of the transmitter is the transmit (serial) shift register (TSR). The shift register obtains its data from the read/write transmit buffer register TXREG. The TXREG register is loaded with data in software. The TSR register is not loaded until the last bit has been transmitted from the previous load. As soon as the last bit is transmitted, the TSR is loaded with new data from the TXREG (if available). Once the TXREG register transfers the data to the TSR register (occurs in one Tcycle), the TXREG is empty and interrupt bit TXIF (PIR1<4>) is set. The interrupt can be enabled/disabled by setting/clearing enable bit TXIE (PIE1<4>). Flag bit TXIF will be set, regardless of the state of enable bit TXIE and cannot be cleared in software. It will reset only when new data is loaded into the TXREG register. While flag bit TXIF indicates the status of the TXREG register, another bit TRMT (TXSTA<1>) shows the status of the TSR register. TRMT is a read only bit, which is set when the TSR is empty. No interrupt logic is tied to this bit, so the user has to poll this bit in order to determine if the TSR register is empty. The TSR is not mapped in data memory, so it is not available to the user.

Transmission is enabled by setting enable bit TXEN (TXSTA<5>). The actual transmission will not occur until the TXREG register has been loaded with data. The first data bit will be shifted out on the next available rising edge of the clock on the CK line. Data out is stable around the falling edge of the synchronous clock (Figure 10-6). The transmission can also be started by first loading the TXREG register and then setting bit TXEN (Figure 10-7). This is advantageous when slow baud rates are selected, since the BRG is kept in RESET when bits TXEN, CREN and SREN are clear. Setting enable bit TXEN will start the BRG, creating a shift clock immediately. Normally, when transmission is first started, the TSR register is empty, so a transfer to the TXREG register will result in an immediate transfer to TSR, resulting in an empty TXREG. Back-to-back transfers are possible.

Clearing enable bit TXEN during a transmission will cause the transmission to be aborted and will reset the transmitter. The DT and CK pins will revert to hi-impedance. If either bit CREN or bit SREN is set during a transmission, the transmission is aborted and the DT pin reverts to a hi-impedance state (for a reception). The CK pin will remain an output if bit CSRC is set (internal clock). The transmitter logic, however, is not reset, although it is disconnected from the pins. In order to reset the transmitter, the user has to clear bit TXEN. If bit SREN is set (to interrupt an on-going transmission and receive a single word), then after the single word is received, bit SREN will be cleared and the serial port will revert back to transmitting, since bit TXEN is still set. The DT line will immediately switch from Hi-impedance Receive mode to transmit and start driving. To avoid this, bit TXEN should be cleared.

In order to select 9-bit transmission, the TX9 (TXSTA<6>) bit should be set and the ninth bit should be written to bit TX9D (TXSTA<0>). The ninth bit must be written before writing the 8-bit data to the TXREG register. This is because a data write to the TXREG can result in an immediate transfer of the data to the TSR register (if the TSR is empty). If the TSR was empty and the TXREG was written before writing the “new” TX9D, the “present” value of bit TX9D is loaded.

Steps to follow when setting up a Synchronous Master Transmission:

1. Initialize the SPBRG register for the appropriate baud rate (Section 10.1).
2. Enable the synchronous master serial port by setting bits SYNC, SPEN and CSRC.
3. If interrupts are desired, set enable bit TXIE.
4. If 9-bit transmission is desired, set bit TX9.
5. Enable the transmission by setting bit TXEN.
6. If 9-bit transmission is selected, the ninth bit should be loaded in bit TX9D.
7. Start transmission by loading data to the TXREG register.
8. If using interrupts, ensure that GIE and PEIE in the INTCON register are set.

PIC16F7X

FIGURE 10-6: SYNCHRONOUS TRANSMISSION

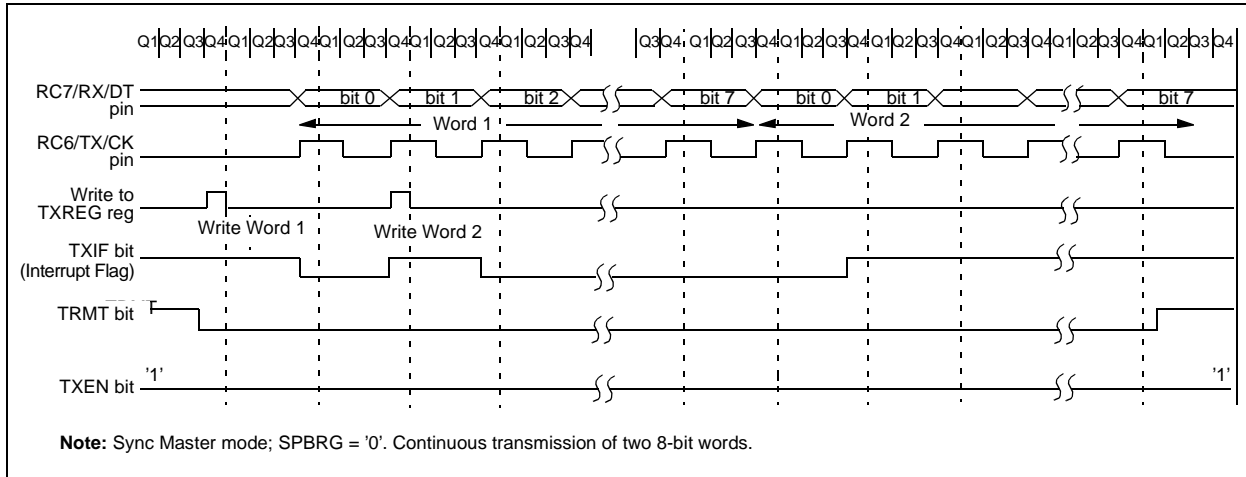


FIGURE 10-7: SYNCHRONOUS TRANSMISSION (THROUGH TXEN)

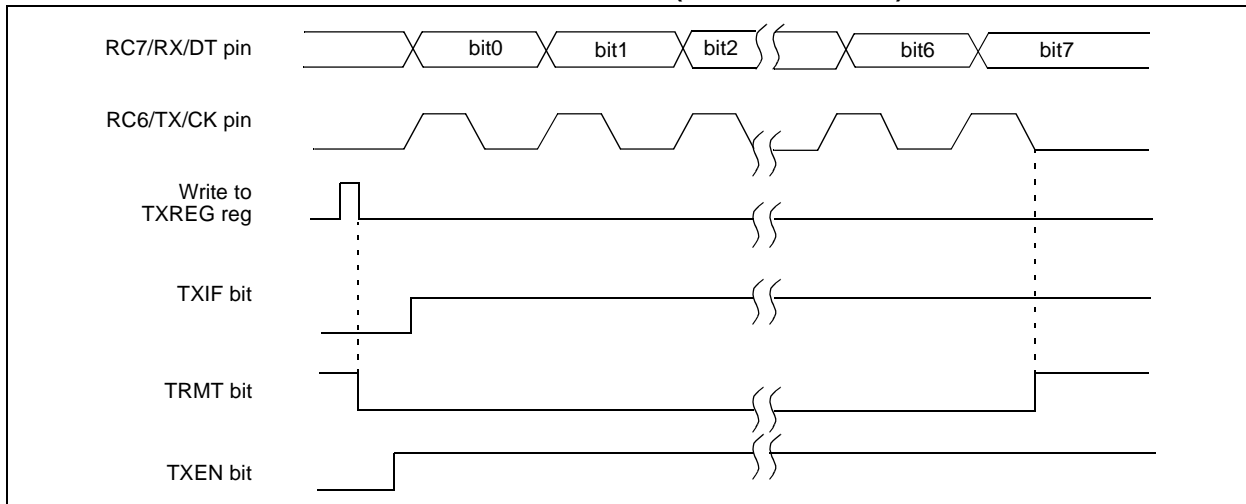


TABLE 10-7: REGISTERS ASSOCIATED WITH SYNCHRONOUS MASTER TRANSMISSION

| Address | Name | Bit 7 | Bit 6 | Bit 5 | Bit 4 | Bit 3 | Bit 2 | Bit 1 | Bit 0 | Value on POR, BOR | Value on all other RESETS |
|----------------------|--------|------------------------------|-------|--------|-------|-------|--------|--------|--------|-------------------|---------------------------|
| 0Bh, 8Bh, 10Bh, 18Bh | INTCON | GIE | PEIE | TMR0IE | INTE | RBIE | TMR0IF | INTF | RBIF | 0000 000x | 0000 000u |
| 0Ch | PIR1 | PSPIF ⁽¹⁾ | ADIF | RCIF | TXIF | SSPIF | CCP1IF | TMR2IF | TMR1IF | 0000 0000 | 0000 0000 |
| 18h | RCSTA | SPEN | RX9 | SREN | CREN | — | FERR | OERR | RX9D | 0000 -00x | 0000 -00x |
| 19h | TXREG | USART Transmit Register | | | | | | | | 0000 0000 | 0000 0000 |
| 8Ch | PIE1 | PSPIE ⁽¹⁾ | ADIE | RCIE | TXIE | SSPIE | CCP1IE | TMR2IE | TMR1IE | 0000 0000 | 0000 0000 |
| 98h | TXSTA | CSRC | TX9 | TXEN | SYNC | — | BRGH | TRMT | TX9D | 0000 -010 | 0000 -010 |
| 99h | SPBRG | Baud Rate Generator Register | | | | | | | | 0000 0000 | 0000 0000 |

Legend: x = unknown, - = unimplemented, read as '0'. Shaded cells are not used for synchronous master transmission.

Note 1: Bits PSPIE and PSPIF are reserved on the PIC16F73/76 devices; always maintain these bits clear.

10.3.2 USART SYNCHRONOUS MASTER RECEPTION

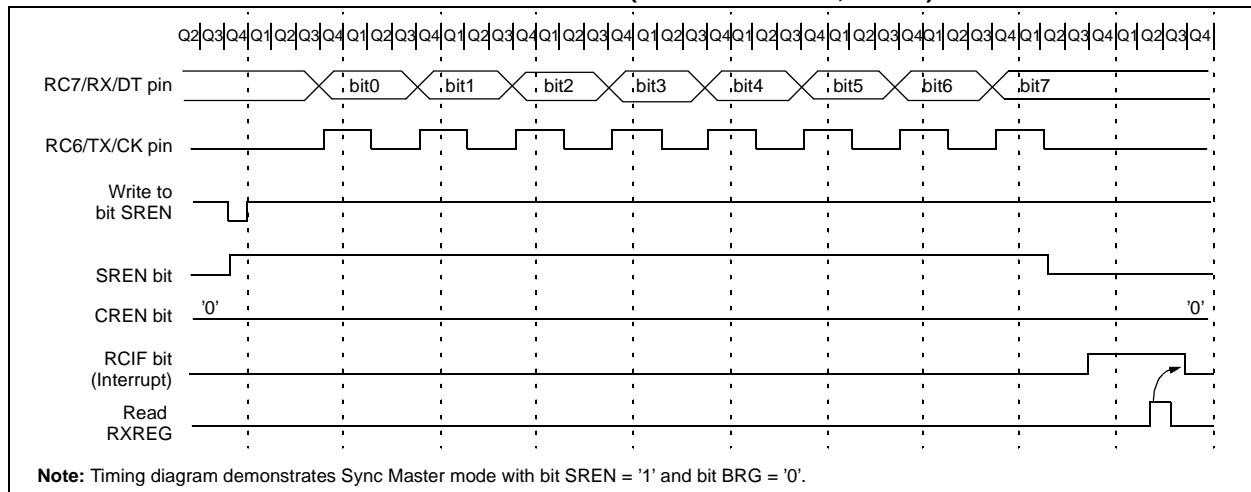
Once synchronous mode is selected, reception is enabled by setting either enable bit SREN (RCSTA<5>), or enable bit CREN (RCSTA<4>). Data is sampled on the RC7/RX/DT pin on the falling edge of the clock. If enable bit SREN is set, then only a single word is received. If enable bit CREN is set, the reception is continuous until CREN is cleared. If both bits are set, CREN takes precedence. After clocking the last bit, the received data in the Receive Shift Register (RSR) is transferred to the RCREG register (if it is empty). When the transfer is complete, interrupt flag bit RCIF (PIR1<5>) is set. The actual interrupt can be enabled/disabled by setting/clearing enable bit RCIE (PIE1<5>). Flag bit RCIF is a read only bit, which is reset by the hardware. In this case, it is reset when the RCREG register has been read and is empty. The RCREG is a double buffered register (i.e., it is a two deep FIFO). It is possible for two bytes of data to be received and transferred to the RCREG FIFO and a third byte to begin shifting into the RSR register. On the clocking of the last bit of the third byte, if the RCREG register is still full, then overrun error bit OERR (RCSTA<1>) is set. The word in the RSR will be lost. The RCREG register can be read twice to retrieve the two bytes in the FIFO. Bit OERR has to be cleared in software (by clearing bit CREN). If bit OERR is set, transfers from the RSR to the RCREG are inhibited, so it is essential to clear bit OERR if it is set. The ninth receive bit is buffered the same way as the

receive data. Reading the RCREG register will load bit RX9D with a new value, therefore, it is essential for the user to read the RCSTA register before reading RCREG, in order not to lose the old RX9D information.

Steps to follow when setting up a Synchronous Master Reception:

1. Initialize the SPBRG register for the appropriate baud rate (Section 10.1).
2. Enable the synchronous master serial port by setting bits SYNC, SPEN and CSRC.
3. Ensure bits CREN and SREN are clear.
4. If interrupts are desired, then set enable bit RCIE.
5. If 9-bit reception is desired, then set bit RX9.
6. If a single reception is required, set bit SREN. For continuous reception set bit CREN.
7. Interrupt flag bit RCIF will be set when reception is complete and an interrupt will be generated if enable bit RCIE was set.
8. Read the RCSTA register to get the ninth bit (if enabled) and determine if any error occurred during reception.
9. Read the 8-bit received data by reading the RCREG register.
10. If any error occurred, clear the error by clearing bit CREN.
11. If using interrupts, ensure that GIE and PEIE in the INTCON register are set.

FIGURE 10-8: SYNCHRONOUS RECEPTION (MASTER MODE, SREN)



PIC16F7X

TABLE 10-8: REGISTERS ASSOCIATED WITH SYNCHRONOUS MASTER RECEPTION

| Address | Name | Bit 7 | Bit 6 | Bit 5 | Bit 4 | Bit 3 | Bit 2 | Bit 1 | Bit 0 | Value on: POR, BOR | Value on all other RESETS |
|------------------------|--------|------------------------------|-------|--------|-------|-------|--------|--------|--------|-----------------------|---------------------------------|
| 0Bh, 8Bh, 10Bh,18Bh | INTCON | GIE | PEIE | TMR0IE | INTE | RBIE | TMR0IF | INTF | RBIF | 0000 000x | 0000 000u |
| 0Ch | PIR1 | PSPIF ⁽¹⁾ | ADIF | RCIF | TXIF | SSPIF | CCP1IF | TMR2IF | TMR1IF | 0000 0000 | 0000 0000 |
| 18h | RCSTA | SPEN | RX9 | SREN | CREN | — | FERR | OERR | RX9D | 0000 -00x | 0000 -00x |
| 1Ah | RCREG | USART Receive Register | | | | | | | | 0000 0000 | 0000 0000 |
| 8Ch | PIE1 | PSPIE ⁽¹⁾ | ADIE | RCIE | TXIE | SSPIE | CCP1IE | TMR2IE | TMR1IE | 0000 0000 | 0000 0000 |
| 98h | TXSTA | CSRC | TX9 | TXEN | SYNC | — | BRGH | TRMT | TX9D | 0000 -010 | 0000 -010 |
| 99h | SPBRG | Baud Rate Generator Register | | | | | | | | 0000 0000 | 0000 0000 |

Legend: x = unknown, - = unimplemented, read as '0'. Shaded cells are not used for synchronous master reception.

Note 1: Bits PSPIE and PSPIF are reserved on the PIC16F73/76 devices; always maintain these bits clear.

10.4 USART Synchronous Slave Mode

Synchronous Slave mode differs from the Master mode, in that the shift clock is supplied externally at the RC6/TX/CK pin (instead of being supplied internally in Master mode). This allows the device to transfer or receive data while in SLEEP mode. Slave mode is entered by clearing bit CSRC (TXSTA<7>).

10.4.1 USART SYNCHRONOUS SLAVE TRANSMIT

The operation of the Synchronous Master and Slave modes are identical except in the case of the SLEEP mode.

If two words are written to the TXREG and then the SLEEP instruction is executed, the following will occur:

- The first word will immediately transfer to the TSR register and transmit when the master device drives the CK line.
- The second word will remain in TXREG register.
- Flag bit TXIF will not be set.
- When the first word has been shifted out of TSR, the TXREG register will transfer the second word to the TSR and flag bit TXIF will now be set.
- If enable bit TXIE is set, the interrupt will wake the chip from SLEEP and if the global interrupt is enabled, the program will branch to the interrupt vector (0004h).

Follow these steps when setting up a Synchronous Slave Transmission:

- Enable the synchronous slave serial port by setting bits SYNC and SPEN and clearing bit CSRC.
- Clear bits CREN and SREN.
- If interrupts are desired, then set enable bit TXIE.
- If 9-bit transmission is desired, then set bit TX9.
- Enable the transmission by setting enable bit TXEN.
- If 9-bit transmission is selected, the ninth bit should be loaded in bit TX9D.
- Start transmission by loading data to the TXREG register.
- If using interrupts, ensure that GIE and PEIE in the INTCON register are set.

TABLE 10-9: REGISTERS ASSOCIATED WITH SYNCHRONOUS SLAVE TRANSMISSION

| Address | Name | Bit 7 | Bit 6 | Bit 5 | Bit 4 | Bit 3 | Bit 2 | Bit 1 | Bit 0 | Value on: POR, BOR | Value on all other RESETS |
|----------------------|--------|------------------------------|-------|--------|-------|-------|--------|--------|--------|--------------------|---------------------------|
| 0Bh, 8Bh, 10Bh, 18Bh | INTCON | GIE | PEIE | TMR0IE | INTE | RBIE | TMR0IF | INTF | RBIF | 0000 000x | 0000 000u |
| 0Ch | PIR1 | PSPIF ⁽¹⁾ | ADIF | RCIF | TXIF | SSPIF | CCP1IF | TMR2IF | TMR1IF | 0000 0000 | 0000 0000 |
| 18h | RCSTA | SPEN | RX9 | SREN | CREN | ADDEN | FERR | OERR | RX9D | 0000 000x | 0000 000x |
| 19h | TXREG | USART Transmit Register | | | | | | | | 0000 0000 | 0000 0000 |
| 8Ch | PIE1 | PSPIE ⁽¹⁾ | ADIE | RCIE | TXIE | SSPIE | CCP1IE | TMR2IE | TMR1IE | 0000 0000 | 0000 0000 |
| 98h | TXSTA | CSRC | TX9 | TXEN | SYNC | — | BRGH | TRMT | TX9D | 0000 -010 | 0000 -010 |
| 99h | SPBRG | Baud Rate Generator Register | | | | | | | | 0000 0000 | 0000 0000 |

Legend: x = unknown, - = unimplemented, read as '0'. Shaded cells are not used for synchronous slave transmission.

Note 1: Bits PSPIE and PSPIF are reserved on the PIC16F73/76 devices; always maintain these bits clear.

10.4.2 USART SYNCHRONOUS SLAVE RECEPTION

The operation of the Synchronous Master and Slave modes is identical, except in the case of the SLEEP mode. Bit SREN is a “don't care” in Slave mode.

If receive is enabled by setting bit CREN prior to the SLEEP instruction, then a word may be received during SLEEP. On completely receiving the word, the RSR register will transfer the data to the RCREG register and if enable bit RCIE bit is set, the interrupt generated will wake the chip from SLEEP. If the global interrupt is enabled, the program will branch to the interrupt vector (0004h).

Follow these steps when setting up a Synchronous Slave Reception:

1. Enable the synchronous master serial port by setting bits SYNC and SPEN and clearing bit CSRC.
2. If interrupts are desired, set enable bit RCIE.
3. If 9-bit reception is desired, set bit RX9.
4. To enable reception, set enable bit CREN.
5. Flag bit RCIF will be set when reception is complete and an interrupt will be generated, if enable bit RCIE was set.
6. Read the RCSTA register to get the ninth bit (if enabled) and determine if any error occurred during reception.
7. Read the 8-bit received data by reading the RCREG register.
8. If any error occurred, clear the error by clearing bit CREN.
9. If using interrupts, ensure that GIE and PEIE in the INTCON register are set.

TABLE 10-10: REGISTERS ASSOCIATED WITH SYNCHRONOUS SLAVE RECEPTION

| Address | Name | Bit 7 | Bit 6 | Bit 5 | Bit 4 | Bit 3 | Bit 2 | Bit 1 | Bit 0 | Value on: POR, BOR | Value on all other RESETS |
|----------------------|--------|------------------------------|-------|--------|-------|-------|--------|--------|--------|--------------------|---------------------------|
| 0Bh, 8Bh, 10Bh, 18Bh | INTCON | GIE | PEIE | TMR0IE | INTE | RBIE | TMR0IF | INTF | RBIF | 0000 000x | 0000 000u |
| 0Ch | PIR1 | PSPIF ⁽¹⁾ | ADIF | RCIF | TXIF | SSPIF | CCP1IF | TMR2IF | TMR1IF | 0000 0000 | 0000 0000 |
| 18h | RCSTA | SPEN | RX9 | SREN | CREN | ADDEN | FERR | OERR | RX9D | 0000 000x | 0000 000x |
| 1Ah | RCREG | USART Receive Register | | | | | | | | 0000 0000 | 0000 0000 |
| 8Ch | PIE1 | PSPIE ⁽¹⁾ | ADIE | RCIE | TXIE | SSPIE | CCP1IE | TMR2IE | TMR1IE | 0000 0000 | 0000 0000 |
| 98h | TXSTA | CSRC | TX9 | TXEN | SYNC | — | BRGH | TRMT | TX9D | 0000 -010 | 0000 -010 |
| 99h | SPBRG | Baud Rate Generator Register | | | | | | | | 0000 0000 | 0000 0000 |

Legend: x = unknown, - = unimplemented, read as '0'. Shaded cells are not used for synchronous slave reception.

Note 1: Bits PSPIE and PSPIF are reserved on the PIC16F73/76 devices; always maintain these bits clear.

PIC16F7X

NOTES:

11.0 ANALOG-TO-DIGITAL CONVERTER (A/D) MODULE

The 8-bit analog-to-digital (A/D) converter module has five inputs for the PIC16F73/76 and eight for the PIC16F74/77.

The A/D allows conversion of an analog input signal to a corresponding 8-bit digital number. The output of the sample and hold is the input into the converter, which generates the result via successive approximation. The analog reference voltage is software selectable to either the device's positive supply voltage (VDD), or the voltage level on the RA3/AN3/VREF pin.

The A/D converter has a unique feature of being able to operate while the device is in SLEEP mode. To operate in SLEEP, the A/D conversion clock must be derived from the A/D's internal RC oscillator.

The A/D module has three registers. These registers are:

- A/D Result Register ((ADRES))
- A/D Control Register 0 (ADCON0)
- A/D Control Register 1 ((ADCON1))

The ADCON0 register, shown in Register 11-1, controls the operation of the A/D module. The ADCON1 register, shown in Register 11-2, configures the functions of the port pins. The port pins can be configured as analog inputs (RA3 can also be a voltage reference), or as digital I/O.

Additional information on using the A/D module can be found in the PICmicro™ Mid-Range MCU Family Reference Manual (DS33023) and in Application Note, AN546 (DS00546).

REGISTER 11-1: ADCON0 REGISTER (ADDRESS 1Fh)

| | | | | | | | |
|-------|-------|-------|-------|-------|---------|-----|-------|
| R/W-0 | R/W-0 | R/W-0 | R/W-0 | R/W-0 | R/W-0 | U-0 | R/W-0 |
| ADCS1 | ADCS0 | CHS2 | CHS1 | CHS0 | GO/DONE | — | ADON |
| | | | | | | | bit 0 |

- bit 7-6 **ADCS1:ADCS0:** A/D Conversion Clock Select bits
 00 = Fosc/2
 01 = Fosc/8
 10 = Fosc/32
 11 = FRC (clock derived from the internal A/D module RC oscillator)
- bit 5-3 **CHS2:CHS0:** Analog Channel Select bits
 000 = Channel 0 (RA0/AN0)
 001 = Channel 1 (RA1/AN1)
 010 = Channel 2 (RA2/AN2)
 011 = Channel 3 (RA3/AN3)
 100 = Channel 4 (RA5/AN4)
 101 = Channel 5 (RE0/AN5)⁽¹⁾
 110 = Channel 6 (RE1/AN6)⁽¹⁾
 111 = Channel 7 (RE2/AN7)⁽¹⁾
- bit 2 **GO/DONE:** A/D Conversion Status bit
If ADON = 1:
 1 = A/D conversion in progress (setting this bit starts the A/D conversion)
 0 = A/D conversion not in progress (this bit is automatically cleared by hardware when the A/D conversion is complete)
- bit 1 **Unimplemented:** Read as '0'
- bit 0 **ADON:** A/D On bit
 1 = A/D converter module is operating
 0 = A/D converter module is shut-off and consumes no operating current
- Note 1:** A/D channels 5, 6 and 7 are implemented on the PIC16F74/77 only.

Legend:

| | | |
|--------------------------|------------------|--|
| R = Readable bit | W = Writable bit | U = Unimplemented bit, read as '0' |
| - n = Value at POR reset | '1' = Bit is set | '0' = Bit is cleared x = Bit is unknown |

PIC16F7X

REGISTER 11-2: ADCON1 REGISTER (ADDRESS 9Fh)

| | | | | | | | |
|-------|-----|-----|-----|-----|-------|-------|-------|
| U-0 | U-0 | U-0 | U-0 | U-0 | R/W-0 | R/W-0 | R/W-0 |
| — | — | — | — | — | PCFG2 | PCFG1 | PCFG0 |
| bit 7 | | | | | bit 0 | | |

bit 7-3
bit 2-0

Unimplemented: Read as '0'

PCFG2:PCFG0: A/D Port Configuration Control bits

| PCFG2:PCFG0 | RA0 | RA1 | RA2 | RA5 | RA3 | RE0 ⁽¹⁾ | RE1 ⁽¹⁾ | RE2 ⁽¹⁾ | VREF |
|-------------|-----|-----|-----|-----|------|--------------------|--------------------|--------------------|------|
| 000 | A | A | A | A | A | A | A | A | VDD |
| 001 | A | A | A | A | VREF | A | A | A | RA3 |
| 010 | A | A | A | A | A | D | D | D | VDD |
| 011 | A | A | A | A | VREF | D | D | D | RA3 |
| 100 | A | A | D | D | A | D | D | D | VDD |
| 101 | A | A | D | D | VREF | D | D | D | RA3 |
| 11x | D | D | D | D | D | D | D | D | VDD |

A = Analog input

D = Digital I/O

Note 1: RE0, RE1 and RE2 are implemented on the PIC16F74/77 only.

Legend:

R = Readable bit

W = Writable bit

U = Unimplemented bit, read as '0'

- n = Value at POR reset

'1' = Bit is set

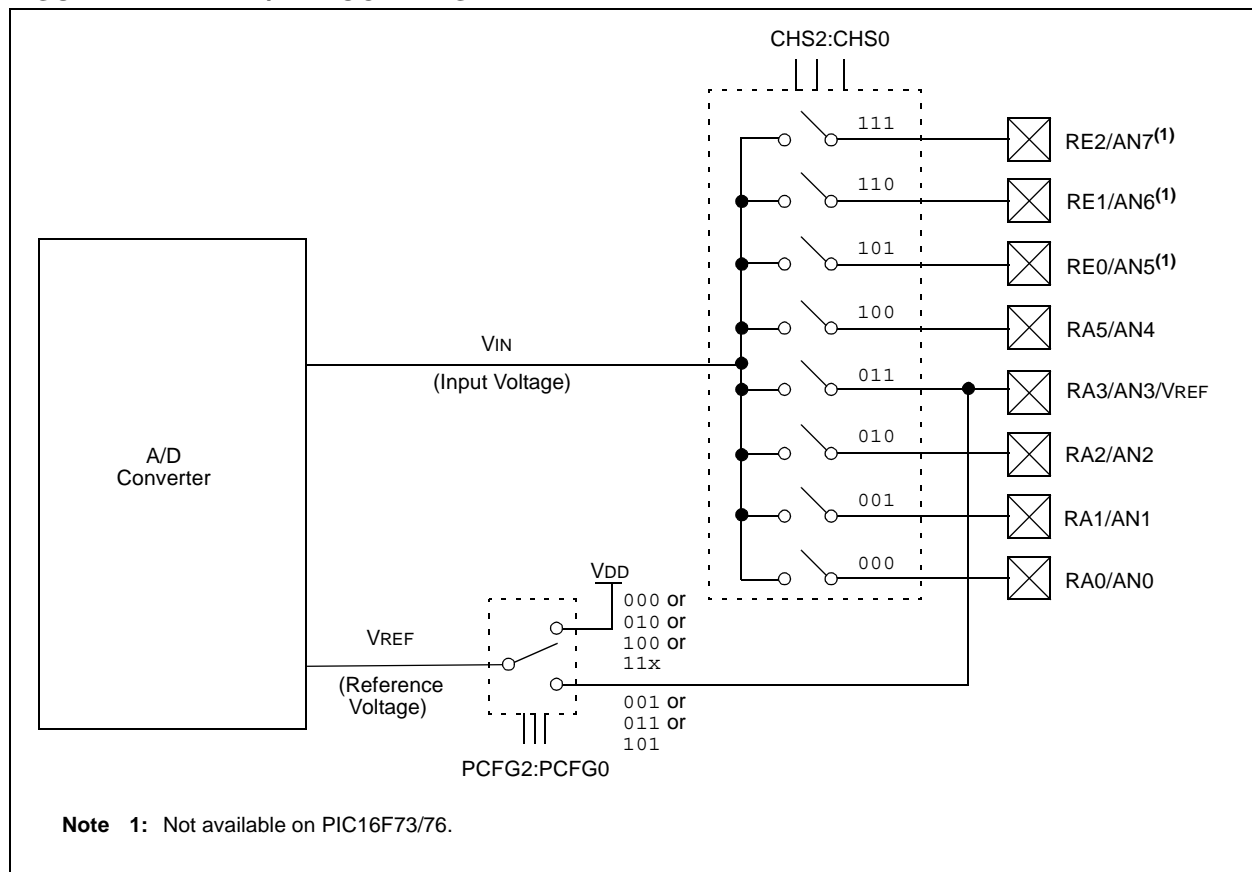
'0' = Bit is cleared

x = Bit is unknown

The following steps should be followed for doing an A/D conversion:

1. Configure the A/D module:
 - Configure analog pins, voltage reference, and digital I/O (ADCON1)
 - Select A/D conversion clock (ADCON0)
 - Turn on A/D module (ADCON0)
2. Configure the A/D interrupt (if desired):
 - Clear ADIF bit
 - Set ADIE bit
 - Set PEIE bit
 - Set GIE bit
3. Select an A/D input channel (ADCON0).
4. Wait for at least an appropriate acquisition period.
5. Start conversion:
 - Set $\overline{\text{GO/DONE}}$ bit (ADCON0)
6. Wait for the A/D conversion to complete, by either:
 - Polling for the $\overline{\text{GO/DONE}}$ bit to be cleared (interrupts disabled)
- OR
- Waiting for the A/D interrupt
7. Read A/D result register (ADRES), and clear bit ADIF if required.
8. For next conversion, go to step 3 or step 4, as required.

FIGURE 11-1: A/D BLOCK DIAGRAM



PIC16F7X

11.1 A/D Acquisition Requirements

For the A/D converter to meet its specified accuracy, the charge holding capacitor (CHOLD) must be allowed to fully charge to the input channel voltage level. The analog input model is shown in Figure 11-2. The source impedance (RS) and the internal sampling switch (RSS) impedance directly affect the time required to charge the capacitor CHOLD. The sampling switch (RSS) impedance varies over the device voltage (VDD), see Figure 11-2. The source impedance affects the offset voltage at the analog input (due to pin leakage current).

The maximum recommended impedance for analog sources is 10 kΩ. After the analog input channel is selected (changed), the acquisition period must pass before the conversion can be started.

To calculate the minimum acquisition time, TACQ, see the PICmicro™ Mid-Range MCU Family Reference Manual (DS33023). In general, however, given a maximum source impedance of 10 kΩ and at a temperature of 100°C, TACQ will be no more than 16 μsec.

FIGURE 11-2: ANALOG INPUT MODEL

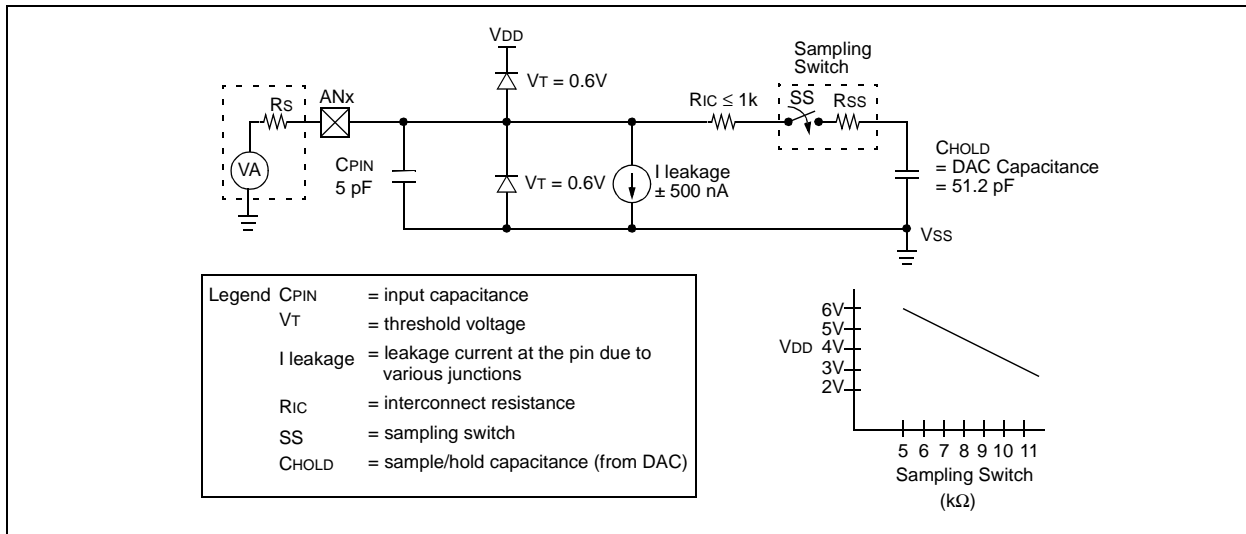


TABLE 11-1: TAD vs. MAXIMUM DEVICE OPERATING FREQUENCIES (STANDARD DEVICES (C))

| AD Clock Source (TAD) | | Maximum Device Frequency |
|-------------------------|-------------|--------------------------|
| Operation | ADCS1:ADCS0 | Max. |
| 2Tosc | 00 | 1.25 MHz |
| 8TOSC | 01 | 5 MHz |
| 32Tosc | 10 | 20 MHz |
| RC ^(1, 2, 3) | 11 | (Note 1) |

Note 1: The RC source has a typical TAD time of 4 μs but can vary between 2-6 μs.

- When the device frequencies are greater than 1 MHz, the RC A/D conversion clock source is only recommended for SLEEP operation.
- For extended voltage devices (LC), please refer to the Electrical Specifications section.

11.2 Selecting the A/D Conversion Clock

The A/D conversion time per bit is defined as TAD. The A/D conversion requires 9.0 TAD per 8-bit conversion. The source of the A/D conversion clock is software selectable. The four possible options for TAD are:

- 2 TOSC (FOSC/2)
- 8 TOSC (FOSC/8)
- 32 TOSC (FOSC/32)
- Internal RC oscillator (2-6 μ s)

For correct A/D conversions, the A/D conversion clock (TAD) must be selected to ensure a minimum TAD time as small as possible, but no less than 1.6 μ s.

11.3 Configuring Analog Port Pins

The ADCON1, TRISA and TRISE registers control the operation of the A/D port pins. The port pins that are desired as analog inputs must have their corresponding TRIS bits set (input). If the TRIS bit is cleared (output), the digital output level (VOH or VOL) will be converted.

The A/D operation is independent of the state of the CHS2:CHS0 bits and the TRIS bits.

Note 1: When reading the port register, all pins configured as analog input channels will read as cleared (a low level). Pins configured as digital inputs will convert an analog input. Analog levels on a digitally configured input will not affect the conversion accuracy.

2: Analog levels on any pin that is defined as a digital input, but not as an analog input, may cause the digital input buffer to consume current that is out of the device's specification.

11.4 A/D Conversions

Note: The GO/DONE bit should **NOT** be set in the same instruction that turns on the A/D.

Setting the GO/DONE bit begins an A/D conversion. When the conversion completes, the 8-bit result is placed in the ADRES register, the GO/DONE bit is cleared, and the ADIF flag (PIR<6>) is set.

If both the A/D interrupt bit ADIE (PIE1<6>) and the peripheral interrupt enable bit PEIE (INTCON<6>) are set, the device will wake from SLEEP whenever ADIF is set by hardware. In addition, an interrupt will also occur if the global interrupt bit GIE (INTCON<7>) is set.

Clearing the GO/DONE bit during a conversion will abort the current conversion. The ADRES register will NOT be changed, and the ADIF flag will not be set.

After the GO/DONE bit is cleared at either the end of a conversion, or by firmware, another conversion can be initiated by setting the GO/DONE bit. Users must still take into account the appropriate acquisition time for the application.

11.5 A/D Operation During SLEEP

The A/D module can operate during SLEEP mode. This requires that the A/D clock source be set to RC (ADCS1:ADCS0 = '11'). When the RC clock source is selected, the A/D module waits one instruction cycle before starting the conversion. This allows the SLEEP instruction to be executed, which eliminates all digital switching noise from the conversion. When the conversion is completed, the GO/DONE bit will be cleared, and the result loaded into the ADRES register. If the A/D interrupt is enabled, the device will wake-up from SLEEP. If the A/D interrupt is not enabled, the A/D module will then be turned off, although the ADON bit will remain set.

When the A/D clock source is another clock option (not RC), a SLEEP instruction will cause the present conversion to be aborted and the A/D module to be turned off, though the ADON bit will remain set.

Turning off the A/D places the A/D module in its lowest current consumption state.

Note: For the A/D module to operate in SLEEP, the A/D clock source must be set to RC (ADCS1:ADCS0 = 11). To perform an A/D conversion in SLEEP, ensure the SLEEP instruction immediately follows the instruction that sets the GO/DONE bit.

11.6 Effects of a RESET

A device RESET forces all registers to their RESET state. The A/D module is disabled and any conversion in progress is aborted. All A/D input pins are configured as analog inputs.

The ADRES register will contain unknown data after a Power-on Reset.

PIC16F7X

11.7 Use of the CCP Trigger

An A/D conversion can be started by the “special event trigger” of the CCP2 module. This requires that the CCP2M3:CCP2M0 bits (CCP2CON<3:0>) be programmed as 1011 and that the A/D module is enabled (ADON bit is set). When the trigger occurs, the GO/DONE bit will be set, starting the A/D conversion, and the Timer1 counter will be reset to zero. Timer1 is reset to automatically repeat the A/D acquisition period

with minimal software overhead (moving the ADRES to the desired location). The appropriate analog input channel must be selected and an appropriate acquisition time should pass before the “special event trigger” sets the GO/DONE bit (starts a conversion).

If the A/D module is not enabled (ADON is cleared), then the “special event trigger” will be ignored by the A/D module, but will still reset the Timer1 counter.

TABLE 11-2: SUMMARY OF A/D REGISTERS

| Address | Name | Bit 7 | Bit 6 | Bit 5 | Bit 4 | Bit 3 | Bit 2 | Bit 1 | Bit 0 | Value on: POR, BOR | Value on all other RESETS |
|------------------------|----------------------|----------------------|-------|-------------------------------|---------|-------|---------------------------|--------|--------|--------------------------|---------------------------------|
| 0Bh,8Bh, 10Bh, 18Bh | INTCON | GIE | PEIE | TMR0IE | INTE | RBIE | TMR0IF | INTF | RBIF | 0000 000x | 0000 000u |
| 0Ch | PIR1 | PSPIF ⁽¹⁾ | ADIF | RCIF | TXIF | SSPIF | CCP1IF | TMR2IF | TMR1IF | 0000 0000 | 0000 0000 |
| 0Dh | PIR2 | — | — | — | — | — | — | — | CCP2IF | ---- -00 | ---- -00 |
| 8Ch | PIE1 | PSPIE ⁽¹⁾ | ADIE | RCIE | TXIE | SSPIE | CCP1IE | TMR2IE | TMR1IE | 0000 0000 | 0000 0000 |
| 8Dh | PIE2 | — | — | — | — | — | — | — | CCP2IE | ---- -00 | ---- -00 |
| 1Eh | ADRES | A/D Result Register | | | | | | | | xxxx xxxx | uuuu uuuu |
| 1Fh | ADCON0 | ADCS1 | ADCS0 | CHS2 | CHS1 | CHS0 | GO/DONE | — | ADON | 0000 00-0 | 0000 00-0 |
| 9Fh | ADCON1 | — | — | — | — | — | PCFG2 | PCFG1 | PCFG0 | ---- -000 | ---- -000 |
| 05h | PORTA | — | — | RA5 | RA4 | RA3 | RA2 | RA1 | RA0 | --0x 0000 | --0u 0000 |
| 85h | TRISA | — | — | PORTA Data Direction Register | | | | | | --11 1111 | --11 1111 |
| 09h | PORTE ⁽²⁾ | — | — | — | — | — | RE2 | RE1 | RE0 | ---- -xxx | ---- -uuu |
| 89h | TRISE ⁽²⁾ | IBF | OBF | IBOV | PSPMODE | — | PORTE Data Direction Bits | | | 0000 -111 | 0000 -111 |

Legend: x = unknown, u = unchanged, - = unimplemented, read as '0'. Shaded cells are not used for A/D conversion.

- Note 1:** Bits PSPIE and PSPIF are reserved on the PIC16F73/76; always maintain these bits clear.
Note 2: These registers are reserved on the PIC16F73/76.

12.0 SPECIAL FEATURES OF THE CPU

These devices have a host of features intended to maximize system reliability, minimize cost through elimination of external components, provide power saving operating modes and offer code protection. These are:

- Oscillator Selection
- RESET
 - Power-on Reset (POR)
 - Power-up Timer (PWRT)
 - Oscillator Start-up Timer (OST)
 - Brown-out Reset (BOR)
- Interrupts
- Watchdog Timer (WDT)
- SLEEP
- Code Protection
- ID Locations
- In-Circuit Serial Programming

These devices have a Watchdog Timer, which can be enabled or disabled, using a configuration bit. It runs off its own RC oscillator for added reliability.

There are two timers that offer necessary delays on power-up. One is the Oscillator Start-up Timer (OST), intended to keep the chip in RESET until the crystal oscillator is stable. The other is the Power-up Timer (PWRT), which provides a fixed delay of 72 ms (nominal) on power-up only. It is designed to keep the part in RESET while the power supply stabilizes, and is enabled or disabled, using a configuration bit. With these two timers on-chip, most applications need no external RESET circuitry.

SLEEP mode is designed to offer a very low current power-down mode. The user can wake-up from SLEEP through external RESET, Watchdog Timer Wake-up, or through an interrupt.

Several oscillator options are also made available to allow the part to fit the application. The RC oscillator option saves system cost while the LP crystal option saves power. Configuration bits are used to select the desired oscillator mode.

Additional information on special features is available in the PICmicro™ Mid-Range Reference Manual (DS33023).

12.1 Configuration Bits

The configuration bits can be programmed (read as '0'), or left unprogrammed (read as '1'), to select various device configurations. These bits are mapped in program memory location 2007h.

The user will note that address 2007h is beyond the user program memory space, which can be accessed only during programming.

PIC16F7X

REGISTER 12-1: CONFIGURATION WORD (ADDRESS 2007h)⁽¹⁾

| | | | | | | | | | | | | | | |
|-------|-----|-----|-----|-----|-----|-----|-------|-----|-------|----------------------------|-------|-------|-------|------|
| U-0 | U-0 | U-0 | U-0 | U-0 | U-0 | U-0 | R/P-1 | U-0 | R/P-1 | R/P-1 | R/P-1 | R/P-1 | R/P-1 | |
| — | — | — | — | — | — | — | BOREN | — | CP0 | $\overline{\text{PWRTEN}}$ | WDTEN | FOSC1 | FOSC0 | |
| bit13 | | | | | | | | | | | | | | bit0 |

bit 13-7 **Unimplemented:** Read as '1'

bit 6 **BOREN:** Brown-out Reset Enable bit

1 = BOR enabled

0 = BOR disabled

bit 5 **Unimplemented:** Read as '1'

bit 4 **CP0:** FLASH Program Memory Code Protection bit

1 = Code protection off

0 = All memory locations code protected

bit 3 **PWRTEN:** Power-up Timer Enable bit

1 = PWRT disabled

0 = PWRT enabled

bit 2 **WDTEN:** Watchdog Timer Enable bit

1 = WDT enabled

0 = WDT disabled

bit 1-0 **FOSC1:FOSC0:** Oscillator Selection bits

11 = RC oscillator

10 = HS oscillator

01 = XT oscillator

00 = LP oscillator

Note 1: The erased (unprogrammed) value of the configuration word is 3FFFh.

Legend:

R = Readable bit

P = Programmable bit

U = Unimplemented bit, read as '0'

- n = Value when device is unprogrammed

u = Unchanged from programmed state

12.2 Oscillator Configurations

12.2.1 OSCILLATOR TYPES

The PIC16F7X can be operated in four different oscillator modes. The user can program two configuration bits (FOSC1 and FOSC0) to select one of these four modes:

- LP Low Power Crystal
- XT Crystal/Resonator
- HS High Speed Crystal/Resonator
- RC Resistor/Capacitor

12.2.2 CRYSTAL OSCILLATOR/CERAMIC RESONATORS

In XT, LP or HS modes, a crystal or ceramic resonator is connected to the OSC1/CLKIN and OSC2/CLKOUT pins to establish oscillation (Figure 12-1). The PIC16F7X oscillator design requires the use of a parallel cut crystal. Use of a series cut crystal may give a frequency out of the crystal manufacturers specifications. When in HS mode, the device can accept an external clock source to drive the OSC1/CLKIN pin (Figure 12-2). See Figure 15-1 or Figure 15-2 (depending on the part number and VDD range) for valid external clock frequencies.

FIGURE 12-1: CRYSTAL/CERAMIC RESONATOR OPERATION (HS, XT OR LP OSC CONFIGURATION)

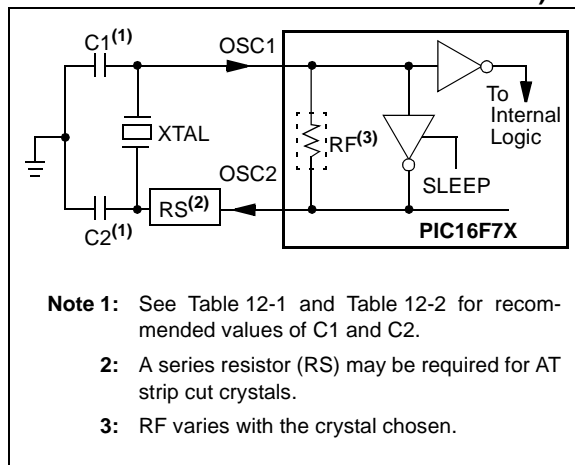


FIGURE 12-2: EXTERNAL CLOCK INPUT OPERATION (HS OSC CONFIGURATION)

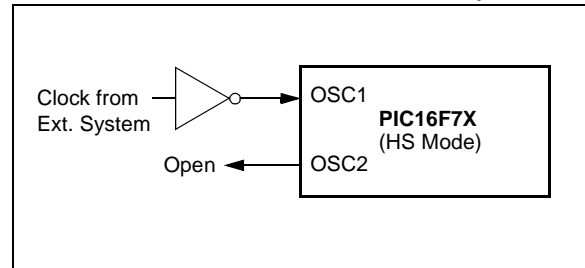


TABLE 12-1: CERAMIC RESONATORS (FOR DESIGN GUIDANCE ONLY)

| Typical Capacitor Values Used: | | | |
|--------------------------------|----------|-------|-------|
| Mode | Freq | OSC1 | OSC2 |
| XT | 455 kHz | 56 pF | 56 pF |
| | 2.0 MHz | 47 pF | 47 pF |
| | 4.0 MHz | 33 pF | 33 pF |
| HS | 8.0 MHz | 27 pF | 27 pF |
| | 16.0 MHz | 22 pF | 22 pF |

Capacitor values are for design guidance only.

These capacitors were tested with the resonators listed below for basic start-up and operation. These values were not optimized.

Different capacitor values may be required to produce acceptable oscillator operation. The user should test the performance of the oscillator over the expected VDD and temperature range for the application.

See the notes at the bottom of page 92 for additional information.

Resonators Used:

| | |
|----------|------------------------|
| 455 kHz | Panasonic EFO-A455K04B |
| 2.0 MHz | Murata Erie CSA2.00MG |
| 4.0 MHz | Murata Erie CSA4.00MG |
| 8.0 MHz | Murata Erie CSA8.00MT |
| 16.0 MHz | Murata Erie CSA16.00MX |

PIC16F7X

TABLE 12-2: CAPACITOR SELECTION FOR CRYSTAL OSCILLATOR (FOR DESIGN GUIDANCE ONLY)

| Osc Type | Crystal Freq | Typical Capacitor Values Tested: | |
|----------|--------------|----------------------------------|-------|
| | | C1 | C2 |
| LP | 32 kHz | 33 pF | 33 pF |
| | 200 kHz | 15 pF | 15 pF |
| XT | 200 kHz | 56 pF | 56 pF |
| | 1 MHz | 15 pF | 15 pF |
| | 4 MHz | 15 pF | 15 pF |
| HS | 4 MHz | 15 pF | 15 pF |
| | 8 MHz | 15 pF | 15 pF |
| | 20 MHz | 15 pF | 15 pF |

Capacitor values are for design guidance only.
 These capacitors were tested with the crystals listed below for basic start-up and operation. These values were not optimized.
 Different capacitor values may be required to produce acceptable oscillator operation. The user should test the performance of the oscillator over the expected VDD and temperature range for the application.
 See the notes following this table for additional information.

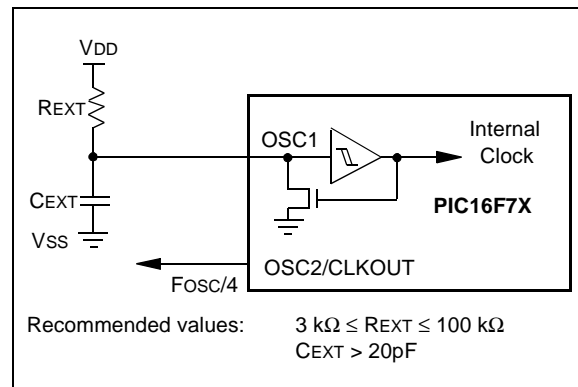
| Crystals Used: | |
|----------------|------------------------|
| 32 kHz | Epson C-001R32.768K-A |
| 200 kHz | STD XTL 200.000KHz |
| 1 MHz | ECS ECS-10-13-1 |
| 4 MHz | ECS ECS-40-20-1 |
| 8 MHz | EPSON CA-301 8.000M-C |
| 20 MHz | EPSON CA-301 20.000M-C |

- Note 1:** Higher capacitance increases the stability of oscillator, but also increases the start-up time.
- 2:** Since each resonator/crystal has its own characteristics, the user should consult the resonator/crystal manufacturer for appropriate values of external components.
- 3:** Rs may be required in HS mode, as well as XT mode, to avoid overdriving crystals with low drive level specification.
- 4:** Always verify oscillator performance over the VDD and temperature range that is expected for the application.

12.2.3 RC OSCILLATOR

For timing insensitive applications, the “RC” device option offers additional cost savings. The RC oscillator frequency is a function of the supply voltage, the resistor (R_{EXT}) and capacitor (C_{EXT}) values, and the operating temperature. In addition to this, the oscillator frequency will vary from unit to unit due to normal process parameter variation. Furthermore, the difference in lead frame capacitance between package types will also affect the oscillation frequency, especially for low C_{EXT} values. The user also needs to take into account variation due to tolerance of external R and C components used. Figure 12-3 shows how the R/C combination is connected to the PIC16F7X.

FIGURE 12-3: RC OSCILLATOR MODE



12.3 RESET

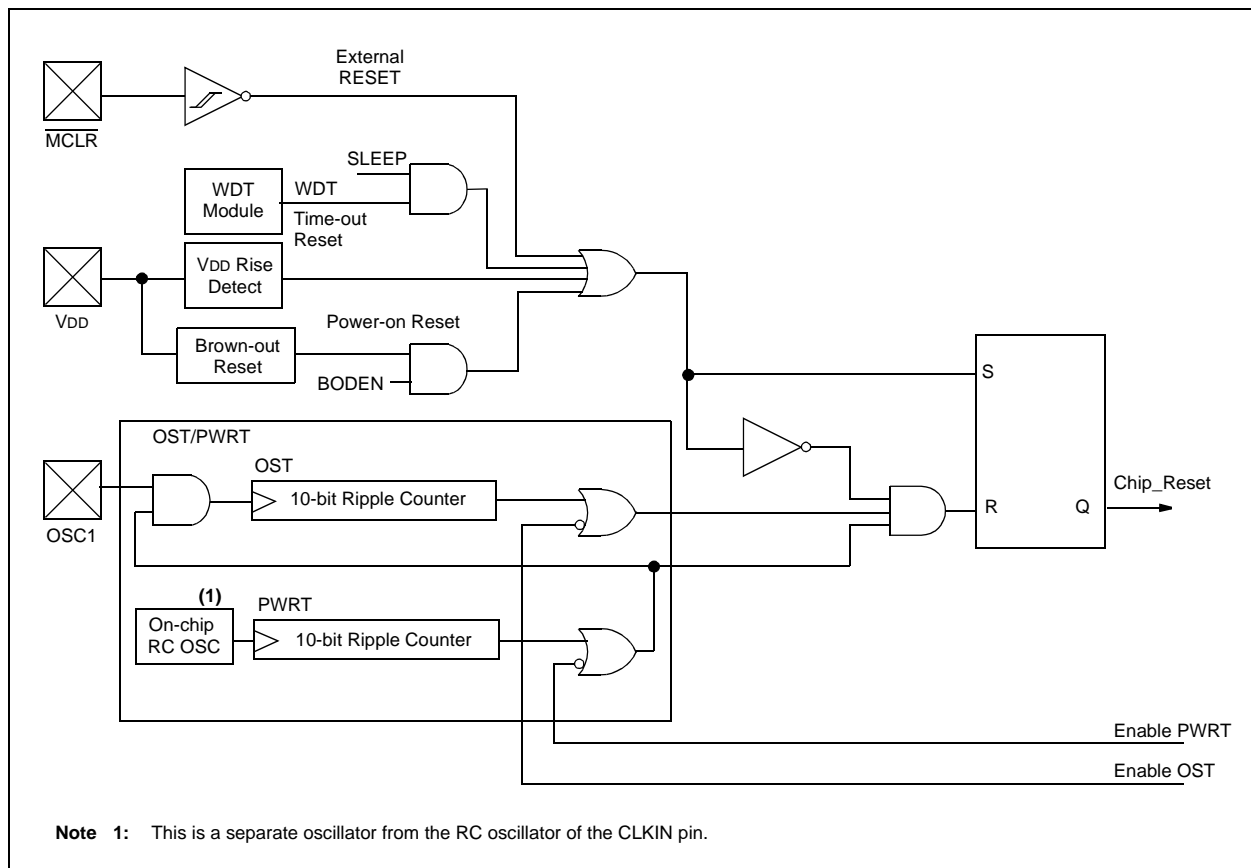
The PIC16F7X differentiates between various kinds of RESET:

- Power-on Reset (POR)
- $\overline{\text{MCLR}}$ Reset during normal operation
- $\overline{\text{MCLR}}$ Reset during SLEEP
- WDT Reset (during normal operation)
- WDT Wake-up (during SLEEP)
- Brown-out Reset (BOR)

Some registers are not affected in any RESET condition. Their status is unknown on POR and unchanged in any other RESET. Most other registers are reset to a "RESET state" on Power-on Reset (POR), on the $\overline{\text{MCLR}}$ and WDT Reset, on $\overline{\text{MCLR}}$ Reset during SLEEP, and Brown-out Reset (BOR). They are not affected by a WDT Wake-up, which is viewed as the resumption of normal operation. The $\overline{\text{TO}}$ and $\overline{\text{PD}}$ bits are set or cleared differently in different RESET situations, as indicated in Table 12-4. These bits are used in software to determine the nature of the RESET. See Table 12-6 for a full description of RESET states of all registers.

A simplified block diagram of the on-chip RESET circuit is shown in Figure 12-4.

FIGURE 12-4: SIMPLIFIED BLOCK DIAGRAM OF ON-CHIP RESET CIRCUIT



PIC16F7X

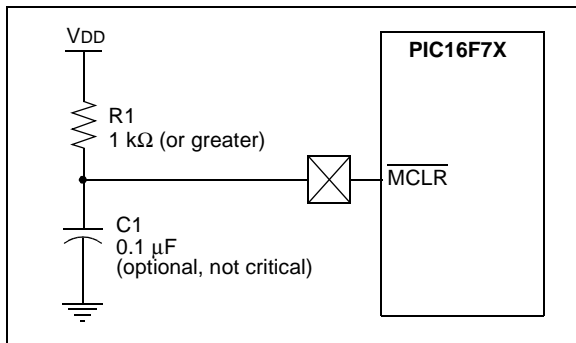
12.4 $\overline{\text{MCLR}}$

PIC16F7X devices have a noise filter in the $\overline{\text{MCLR}}$ Reset path. The filter will detect and ignore small pulses.

It should be noted that a WDT Reset does not drive $\overline{\text{MCLR}}$ pin low.

The behavior of the ESD protection on the $\overline{\text{MCLR}}$ pin has been altered from previous devices of this family. Voltages applied to the pin that exceed its specification can result in both $\overline{\text{MCLR}}$ Resets and excessive current beyond the device specification during the ESD event. For this reason, Microchip recommends that the $\overline{\text{MCLR}}$ pin no longer be tied directly to VDD. The use of an RC network, as shown in Figure 12-5, is suggested.

FIGURE 12-5: RECOMMENDED $\overline{\text{MCLR}}$ CIRCUIT



12.5 Power-on Reset (POR)

A Power-on Reset pulse is generated on-chip when VDD rise is detected (in the range of 1.2V - 1.7V). To take advantage of the POR, tie the $\overline{\text{MCLR}}$ pin to VDD as described in Section 12.4. A maximum rise time for VDD is specified. See the Electrical Specifications for details.

When the device starts normal operation (exits the RESET condition), device operating parameters (voltage, frequency, temperature,...) must be met to ensure operation. If these conditions are not met, the device must be held in RESET until the operating conditions are met. For additional information, refer to Application Note, AN607, "Power-up Trouble Shooting" (DS00607).

12.6 Power-up Timer (PWRT)

The Power-up Timer provides a fixed 72 ms nominal time-out on power-up only from the POR. The Power-up Timer operates on an internal RC oscillator. The chip is kept in RESET as long as the PWRT is active. The PWRT's time delay allows VDD to rise to an acceptable level. A configuration bit is provided to enable/disable the PWRT.

The power-up time delay will vary from chip to chip, due to VDD, temperature and process variation. See DC parameters for details (TPWRT, parameter #33).

12.7 Oscillator Start-up Timer (OST)

The Oscillator Start-up Timer (OST) provides 1024 oscillator cycles (from OSC1 input) delay after the PWRT delay is over (if enabled). This helps to ensure that the crystal oscillator or resonator has started and stabilized.

The OST time-out is invoked only for XT, LP and HS modes and only on Power-on Reset, or wake-up from SLEEP.

12.8 Brown-out Reset (BOR)

The configuration bit, BODEN, can enable or disable the Brown-out Reset circuit. If VDD falls below VBOR (parameter D005, about 4V) for longer than TBOR (parameter #35, about 100 μS), the brown-out situation will reset the device. If VDD falls below VBOR for less than TBOR, a RESET may not occur.

Once the brown-out occurs, the device will remain in Brown-out Reset until VDD rises above VBOR. The Power-up Timer then keeps the device in RESET for TPWRT (parameter #33, about 72 mS). If VDD should fall below VBOR during TPWRT, the Brown-out Reset process will restart when VDD rises above VBOR, with the Power-up Timer Reset. The Power-up Timer is always enabled when the Brown-out Reset circuit is enabled, regardless of the state of the PWRT configuration bit.

12.9 Time-out Sequence

On power-up, the time-out sequence is as follows: the PWRT delay starts (if enabled) when a POR Reset occurs. Then, OST starts counting 1024 oscillator cycles when PWRT ends (LP, XT, HS). When the OST ends, the device comes out of RESET.

If $\overline{\text{MCLR}}$ is kept low long enough, all delays will expire. Bringing $\overline{\text{MCLR}}$ high will begin execution immediately. This is useful for testing purposes or to synchronize more than one PIC16F7X device operating in parallel.

Table 12-5 shows the RESET conditions for the STATUS, PCON and PC registers, while Table 12-6 shows the RESET conditions for all the registers.

12.10 Power Control/Status Register (PCON)

The Power Control/Status Register, PCON, has two bits to indicate the type of RESET that last occurred.

Bit0 is Brown-out Reset Status bit, $\overline{\text{BOR}}$. Bit $\overline{\text{BOR}}$ is unknown on a Power-on Reset. It must then be set by the user and checked on subsequent RESETS to see

if bit $\overline{\text{BOR}}$ cleared, indicating a Brown-out Reset occurred. When the Brown-out Reset is disabled, the state of the $\overline{\text{BOR}}$ bit is unpredictable.

Bit1 is $\overline{\text{POR}}$ (Power-on Reset Status bit). It is cleared on a Power-on Reset and unaffected otherwise. The user must set this bit following a Power-on Reset.

TABLE 12-3: TIME-OUT IN VARIOUS SITUATIONS

| Oscillator Configuration | Power-up | | Brown-out | Wake-up from SLEEP |
|--------------------------|-------------------------------|-------------------------------|-------------------|--------------------|
| | $\overline{\text{PWRTE}} = 0$ | $\overline{\text{PWRTE}} = 1$ | | |
| XT, HS, LP | 72 ms + 1024 TOSC | 1024 TOSC | 72 ms + 1024 TOSC | 1024 TOSC |
| RC | 72 ms | — | 72 ms | — |

TABLE 12-4: STATUS BITS AND THEIR SIGNIFICANCE

| $\overline{\text{POR}}$ (PCON<1>) | $\overline{\text{BOR}}$ (PCON<0>) | $\overline{\text{TO}}$ (STATUS<4>) | $\overline{\text{PD}}$ (STATUS<3>) | Significance |
|--------------------------------------|--------------------------------------|---------------------------------------|---------------------------------------|---|
| 0 | x | 1 | 1 | Power-on Reset |
| 0 | x | 0 | x | Illegal, $\overline{\text{TO}}$ is set on $\overline{\text{POR}}$ |
| 0 | x | x | 0 | Illegal, $\overline{\text{PD}}$ is set on $\overline{\text{POR}}$ |
| 1 | 0 | 1 | 1 | Brown-out Reset |
| 1 | 1 | 0 | 1 | WDT Reset |
| 1 | 1 | 0 | 0 | WDT Wake-up |
| 1 | 1 | u | u | MCLR Reset during normal operation |
| 1 | 1 | 1 | 0 | MCLR Reset during SLEEP or interrupt wake-up from SLEEP |

TABLE 12-5: RESET CONDITION FOR SPECIAL REGISTERS

| Condition | Program Counter | STATUS Register | PCON Register |
|------------------------------------|-----------------------|-----------------|---------------|
| Power-on Reset | 000h | 0001 1xxx | ---- --0x |
| MCLR Reset during normal operation | 000h | 000u uuuu | ---- --uu |
| MCLR Reset during SLEEP | 000h | 0001 0uuu | ---- --uu |
| WDT Reset | 000h | 0000 1uuu | ---- --uu |
| WDT Wake-up | PC + 1 | uuu0 0uuu | ---- --uu |
| Brown-out Reset | 000h | 0001 1uuu | ---- --u0 |
| Interrupt wake-up from SLEEP | PC + 1 ⁽¹⁾ | uuu1 0uuu | ---- --uu |

Legend: u = unchanged, x = unknown, - = unimplemented bit, read as '0'

Note 1: When the wake-up is due to an interrupt and the GIE bit is set, the PC is loaded with the interrupt vector (0004h).

PIC16F7X

TABLE 12-6: INITIALIZATION CONDITIONS FOR ALL REGISTERS

| Register | Devices | | | | Power-on Reset, Brown-out Reset | MCLR Reset, WDT Reset | Wake-up via WDT or Interrupt |
|------------|---------|----|----|----|------------------------------------|--------------------------|---------------------------------|
| | 73 | 74 | 76 | 77 | | | |
| W | 73 | 74 | 76 | 77 | xxxx xxxx | uuuu uuuu | uuuu uuuu |
| INDF | 73 | 74 | 76 | 77 | N/A | N/A | N/A |
| TMR0 | 73 | 74 | 76 | 77 | xxxx xxxx | uuuu uuuu | uuuu uuuu |
| PCL | 73 | 74 | 76 | 77 | 0000h | 0000h | PC + 1 ⁽²⁾ |
| STATUS | 73 | 74 | 76 | 77 | 0001 1xxx | 000q quuu ⁽³⁾ | uuuq quuu ⁽³⁾ |
| FSR | 73 | 74 | 76 | 77 | xxxx xxxx | uuuu uuuu | uuuu uuuu |
| PORTA | 73 | 74 | 76 | 77 | --0x 0000 | --0u 0000 | --uu uuuu |
| PORTB | 73 | 74 | 76 | 77 | xxxx xxxx | uuuu uuuu | uuuu uuuu |
| PORTC | 73 | 74 | 76 | 77 | xxxx xxxx | uuuu uuuu | uuuu uuuu |
| PORTD | 73 | 74 | 76 | 77 | xxxx xxxx | uuuu uuuu | uuuu uuuu |
| PORTE | 73 | 74 | 76 | 77 | ---- -xxx | ---- -uuu | ---- -uuu |
| PCLATH | 73 | 74 | 76 | 77 | ---0 0000 | ---0 0000 | ---u uuuu |
| INTCON | 73 | 74 | 76 | 77 | 0000 000x | 0000 000u | uuuu uuuu ⁽¹⁾ |
| PIR1 | 73 | 74 | 76 | 77 | r000 0000 | r000 0000 | ruuu uuuu ⁽¹⁾ |
| | 73 | 74 | 76 | 77 | 0000 0000 | 0000 0000 | uuuu uuuu ⁽¹⁾ |
| PIR2 | 73 | 74 | 76 | 77 | ---- ---0 | ---- ---0 | ---- ---u ⁽¹⁾ |
| TMR1L | 73 | 74 | 76 | 77 | xxxx xxxx | uuuu uuuu | uuuu uuuu |
| TMR1H | 73 | 74 | 76 | 77 | xxxx xxxx | uuuu uuuu | uuuu uuuu |
| T1CON | 73 | 74 | 76 | 77 | --00 0000 | --uu uuuu | --uu uuuu |
| TMR2 | 73 | 74 | 76 | 77 | 0000 0000 | 0000 0000 | uuuu uuuu |
| T2CON | 73 | 74 | 76 | 77 | -000 0000 | -000 0000 | -uuu uuuu |
| SSPBUF | 73 | 74 | 76 | 77 | xxxx xxxx | uuuu uuuu | uuuu uuuu |
| SSPCON | 73 | 74 | 76 | 77 | 0000 0000 | 0000 0000 | uuuu uuuu |
| CCPR1L | 73 | 74 | 76 | 77 | xxxx xxxx | uuuu uuuu | uuuu uuuu |
| CCPR1H | 73 | 74 | 76 | 77 | xxxx xxxx | uuuu uuuu | uuuu uuuu |
| CCP1CON | 73 | 74 | 76 | 77 | --00 0000 | --00 0000 | --uu uuuu |
| RCSTA | 73 | 74 | 76 | 77 | 0000 -00x | 0000 -00x | uuuu -uuu |
| TXREG | 73 | 74 | 76 | 77 | 0000 0000 | 0000 0000 | uuuu uuuu |
| RCREG | 73 | 74 | 76 | 77 | 0000 0000 | 0000 0000 | uuuu uuuu |
| CCPR2L | 73 | 74 | 76 | 77 | xxxx xxxx | uuuu uuuu | uuuu uuuu |
| CCPR2H | 73 | 74 | 76 | 77 | xxxx xxxx | uuuu uuuu | uuuu uuuu |
| CCP2CON | 73 | 74 | 76 | 77 | 0000 0000 | 0000 0000 | uuuu uuuu |
| ADRES | 73 | 74 | 76 | 77 | xxxx xxxx | uuuu uuuu | uuuu uuuu |
| ADCON0 | 73 | 74 | 76 | 77 | 0000 00-0 | 0000 00-0 | uuuu uu-u |
| OPTION_REG | 73 | 74 | 76 | 77 | 1111 1111 | 1111 1111 | uuuu uuuu |
| TRISA | 73 | 74 | 76 | 77 | --11 1111 | --11 1111 | --uu uuuu |
| TRISB | 73 | 74 | 76 | 77 | 1111 1111 | 1111 1111 | uuuu uuuu |
| TRISC | 73 | 74 | 76 | 77 | 1111 1111 | 1111 1111 | uuuu uuuu |
| TRISD | 73 | 74 | 76 | 77 | 1111 1111 | 1111 1111 | uuuu uuuu |
| TRISE | 73 | 74 | 76 | 77 | 0000 -111 | 0000 -111 | uuuu -uuu |
| PIE1 | 73 | 74 | 76 | 77 | r000 0000 | r000 0000 | ruuu uuuu |
| | 73 | 74 | 76 | 77 | 0000 0000 | 0000 0000 | uuuu uuuu |

Legend: u = unchanged, x = unknown, - = unimplemented bit, read as '0', q = value depends on condition, r = reserved, maintain clear

Note 1: One or more bits in INTCON, PIR1 and/or PIR2 will be affected (to cause wake-up).

Note 2: When the wake-up is due to an interrupt and the GIE bit is set, the PC is loaded with the interrupt vector (0004h).

Note 3: See Table 12-5 for RESET value for specific condition.

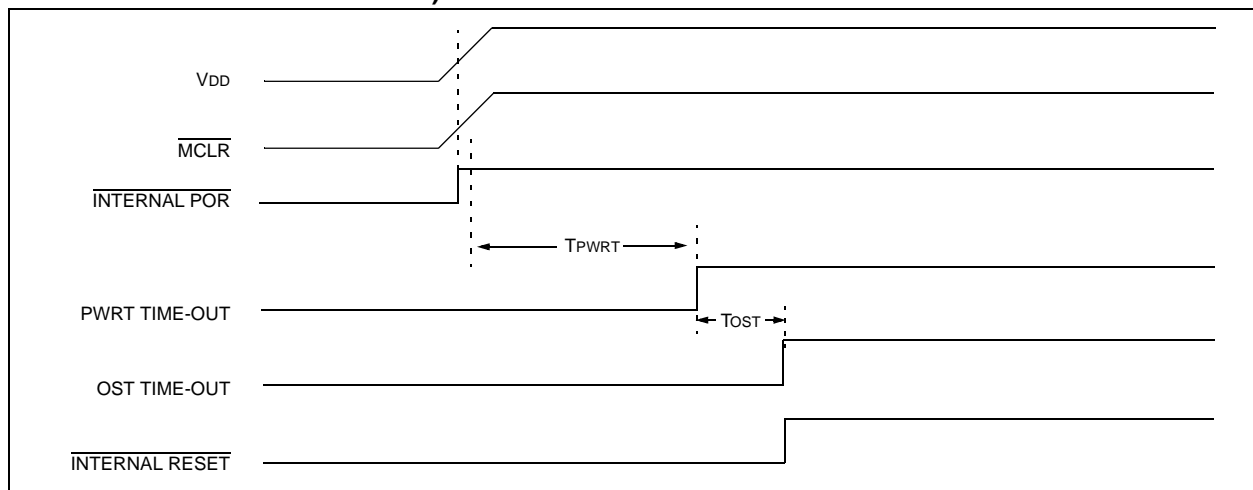
TABLE 12-6: INITIALIZATION CONDITIONS FOR ALL REGISTERS (CONTINUED)

| Register | Devices | | | | Power-on Reset, Brown-out Reset | MCLR Reset, WDT Reset | Wake-up via WDT or Interrupt |
|----------|---------|----|----|----|------------------------------------|--------------------------|---------------------------------|
| | 73 | 74 | 76 | 77 | | | |
| PIE2 | 73 | 74 | 76 | 77 | ---- --0 | ---- --0 | ---- --u |
| PCON | 73 | 74 | 76 | 77 | ---- --qq | ---- --uu | ---- --uu |
| PR2 | 73 | 74 | 76 | 77 | 1111 1111 | 1111 1111 | 1111 1111 |
| SSPSTAT | 73 | 74 | 76 | 77 | --00 0000 | --00 0000 | --uu uuuu |
| SSPADD | 73 | 74 | 76 | 77 | 0000 0000 | 0000 0000 | uuuu uuuu |
| TXSTA | 73 | 74 | 76 | 77 | 0000 -010 | 0000 -010 | uuuu -uuu |
| SPBRG | 73 | 74 | 76 | 77 | 0000 0000 | 0000 0000 | uuuu uuuu |
| ADCON1 | 73 | 74 | 76 | 77 | ---- -000 | ---- -000 | ---- -uuu |
| PMDATA | 73 | 74 | 76 | 77 | 0--- 0000 | 0--- 0000 | u--- uuuu |
| PMADR | 73 | 74 | 76 | 77 | xxxx xxxx | uuuu uuuu | uuuu uuuu |
| PMDATH | 73 | 74 | 76 | 77 | xxxx xxxx | uuuu uuuu | uuuu uuuu |
| PMADRH | 73 | 74 | 76 | 77 | xxxx xxxx | uuuu uuuu | uuuu uuuu |
| PMCON1 | 73 | 74 | 76 | 77 | 1--- --0 | 1--- --0 | 1--- --u |

Legend: u = unchanged, x = unknown, - = unimplemented bit, read as '0', q = value depends on condition, r = reserved, maintain clear

- Note 1:** One or more bits in INTCON, PIR1 and/or PIR2 will be affected (to cause wake-up).
Note 2: When the wake-up is due to an interrupt and the GIE bit is set, the PC is loaded with the interrupt vector (0004h).
Note 3: See Table 12-5 for RESET value for specific condition.

FIGURE 12-6: TIME-OUT SEQUENCE ON POWER-UP (MCLR TIED TO V_{DD} THROUGH RC NETWORK)



PIC16F7X

FIGURE 12-7: TIME-OUT SEQUENCE ON POWER-UP ($\overline{\text{MCLR}}$ NOT TIED TO V_{DD}): CASE 1

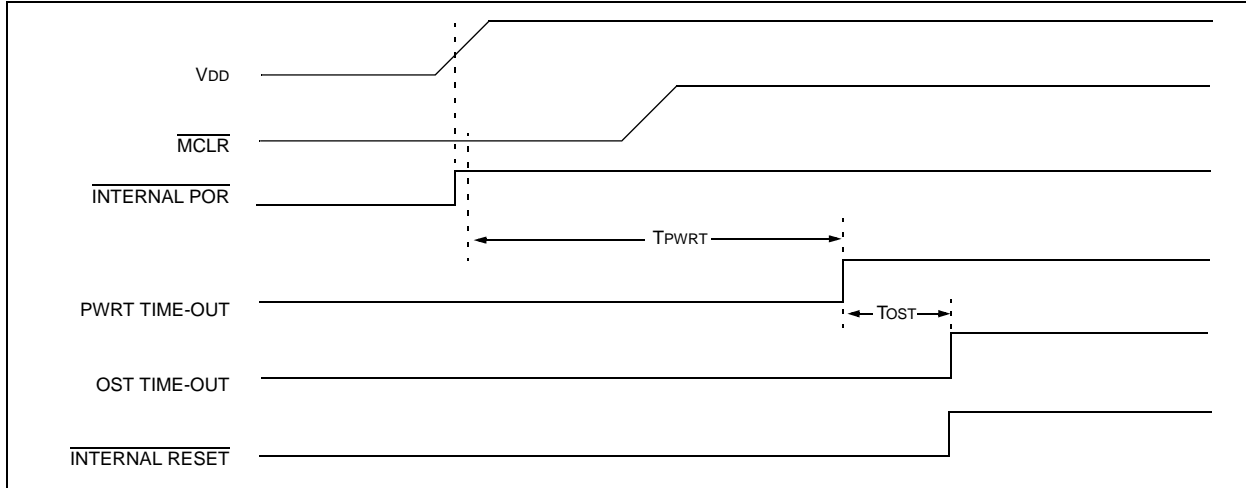


FIGURE 12-8: TIME-OUT SEQUENCE ON POWER-UP ($\overline{\text{MCLR}}$ NOT TIED TO V_{DD}): CASE 2

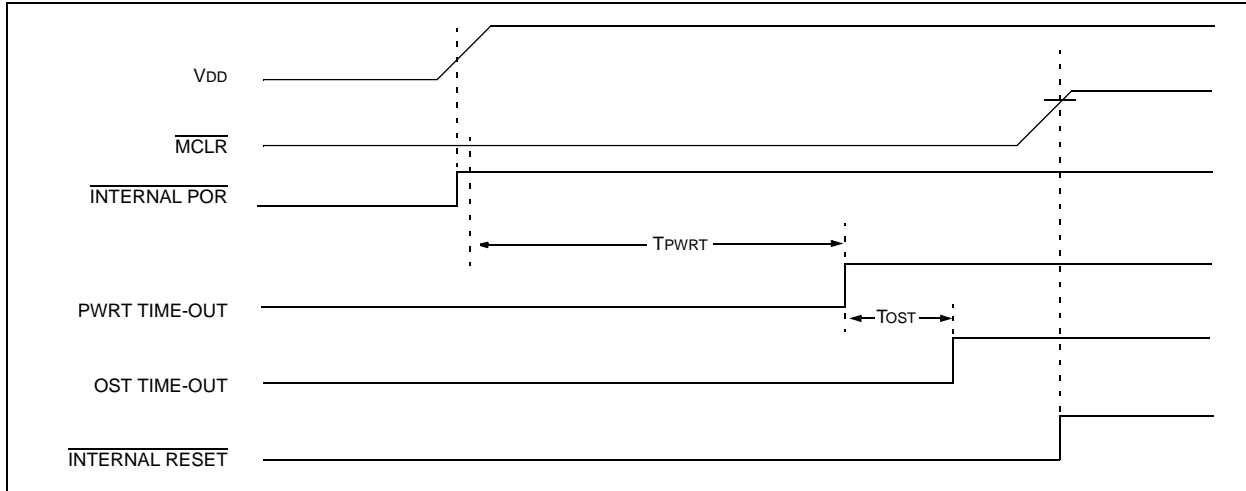
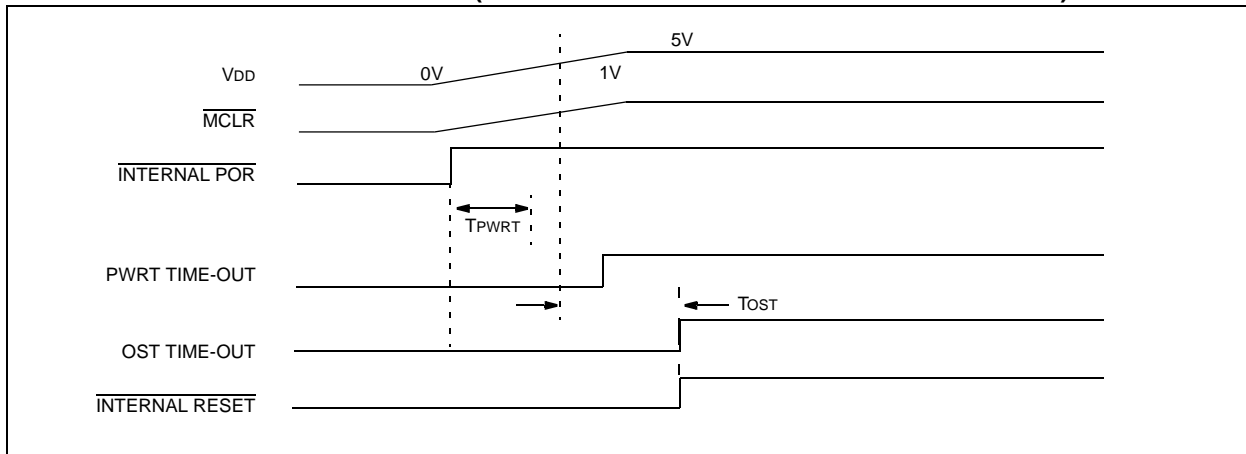


FIGURE 12-9: SLOW RISE TIME ($\overline{\text{MCLR}}$ TIED TO V_{DD} THROUGH RC NETWORK)



12.11 Interrupts

The PIC16F7X family has up to 12 sources of interrupt. The interrupt control register (INTCON) records individual interrupt requests in flag bits. It also has individual and global interrupt enable bits.

Note: Individual interrupt flag bits are set, regardless of the status of their corresponding mask bit or the GIE bit.

A global interrupt enable bit, GIE (INTCON<7>) enables (if set) all unmasked interrupts, or disables (if cleared) all interrupts. When bit GIE is enabled and an interrupt's flag bit and mask bit are set, the interrupt will vector immediately. Individual interrupts can be disabled through their corresponding enable bits in various registers. Individual interrupt bits are set, regardless of the status of the GIE bit. The GIE bit is cleared on RESET.

The "return from interrupt" instruction, RETFIE, exits the interrupt routine, as well as sets the GIE bit, which re-enables interrupts.

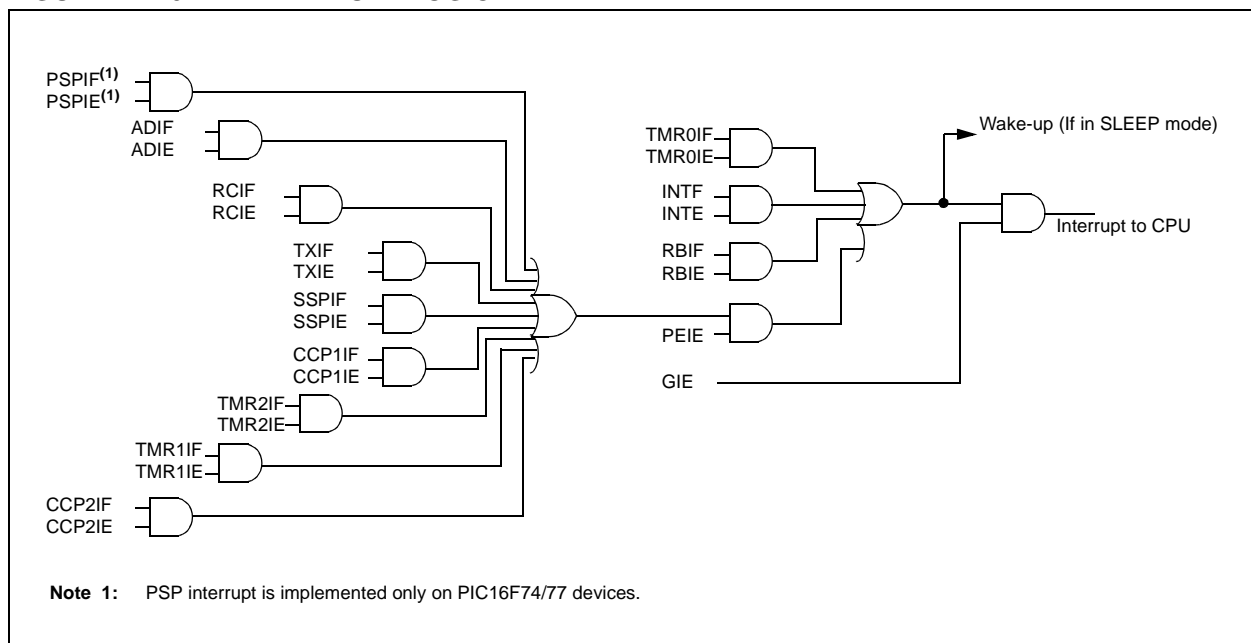
The RB0/INT pin interrupt, the RB port change interrupt and the TMR0 overflow interrupt flags are contained in the INTCON register.

The peripheral interrupt flags are contained in the Special Function Registers, PIR1 and PIR2. The corresponding interrupt enable bits are contained in Special Function Registers, PIE1 and PIE2, and the peripheral interrupt enable bit is contained in Special Function Register, INTCON.

When an interrupt is responded to, the GIE bit is cleared to disable any further interrupt, the return address is pushed onto the stack and the PC is loaded with 0004h. Once in the Interrupt Service Routine, the source(s) of the interrupt can be determined by polling the interrupt flag bits. The interrupt flag bit(s) must be cleared in software before re-enabling interrupts to avoid recursive interrupts.

For external interrupt events, such as the INT pin or PORTB change interrupt, the interrupt latency will be three or four instruction cycles. The exact latency depends when the interrupt event occurs, relative to the current Q cycle. The latency is the same for one or two-cycle instructions. Individual interrupt flag bits are set, regardless of the status of their corresponding mask bit, PEIE bit, or the GIE bit.

FIGURE 12-10: INTERRUPT LOGIC



PIC16F7X

12.11.1 INT INTERRUPT

External interrupt on the RB0/INT pin is edge triggered, either rising, if bit INTEDG (OPTION_REG<6>) is set, or falling, if the INTEDG bit is clear. When a valid edge appears on the RB0/INT pin, flag bit INTF (INTCON<1>) is set. This interrupt can be disabled by clearing enable bit INTE (INTCON<4>). Flag bit INTF must be cleared in software in the Interrupt Service Routine before re-enabling this interrupt. The INT interrupt can wake-up the processor from SLEEP, if bit INTE was set prior to going into SLEEP. The status of global interrupt enable bit GIE decides whether or not the processor branches to the interrupt vector following wake-up. See Section 12.14 for details on SLEEP mode.

12.11.2 TMR0 INTERRUPT

An overflow (FFh → 00h) in the TMR0 register will set flag bit TMR0IF (INTCON<2>). The interrupt can be enabled/disabled by setting/clearing enable bit TMR0IE (INTCON<5>). (Section 5.0)

12.11.3 PORTB INTCON CHANGE

An input change on PORTB<7:4> sets flag bit RBIF (INTCON<0>). The interrupt can be enabled/disabled by setting/clearing enable bit RBIE (INTCON<4>), see Section 4.2.

12.12 Context Saving During Interrupts

During an interrupt, only the return PC value is saved on the stack. Typically, users may wish to save key registers during an interrupt (i.e., W, PCLATH and STATUS registers). This will have to be implemented in software, as shown in Example 12-1.

For the PIC16F73/74 devices, the register W_TEMP must be defined in both banks 0 and 1 and must be defined at the same offset from the bank base address (i.e., If W_TEMP is defined at 20h in bank 0, it must also be defined at A0h in bank 1.). The registers, PCLATH_TEMP and STATUS_TEMP, are only defined in bank 0.

Since the upper 16 bytes of each bank are common in the PIC16F76/77 devices, temporary holding registers W_TEMP, STATUS_TEMP and PCLATH_TEMP should be placed in here. These 16 locations don't require banking and, therefore, make it easier for context save and restore. The same code shown in Example 12-1 can be used.

EXAMPLE 12-1: SAVING STATUS, W, AND PCLATH REGISTERS IN RAM

```
MOVWF  W_TEMP           ;Copy W to TEMP register
SWAPF  STATUS,W         ;Swap status to be saved into W
CLRF   STATUS           ;bank 0, regardless of current bank, Clears IRP,RP1,RP0
MOVWF  STATUS_TEMP     ;Save status to bank zero STATUS_TEMP register
MOVF   PCLATH, W       ;Only required if using pages 1, 2 and/or 3
MOVWF  PCLATH_TEMP     ;Save PCLATH into W
CLRF   PCLATH          ;Page zero, regardless of current page
:
:(ISR)                  ;Insert user code here
:
MOVF   PCLATH_TEMP, W  ;Restore PCLATH
MOVWF  PCLATH          ;Move W into PCLATH
SWAPF  STATUS_TEMP,W  ;Swap STATUS_TEMP register into W
                        ;(sets bank to original state)
MOVWF  STATUS          ;Move W into STATUS register
SWAPF  W_TEMP,F        ;Swap W_TEMP
SWAPF  W_TEMP,W        ;Swap W_TEMP into W
```

12.13 Watchdog Timer (WDT)

The Watchdog Timer is a free running on-chip RC oscillator, which does not require any external components. This RC oscillator is separate from the RC oscillator of the OSC1/CLKIN pin. That means that the WDT will run, even if the clock on the OSC1/CLKIN and OSC2/CLKOUT pins of the device has been stopped, for example, by execution of a SLEEP instruction.

During normal operation, a WDT time-out generates a device RESET (Watchdog Timer Reset). If the device is in SLEEP mode, a WDT time-out causes the device to wake-up and continue with normal operation (Watchdog Timer Wake-up). The \overline{TO} bit in the STATUS register will be cleared upon a Watchdog Timer time-out.

The WDT can be permanently disabled by clearing configuration bit, WDTE (Section 12.1).

WDT time-out period values may be found in the Electrical Specifications section under parameter #31. Values for the WDT prescaler (actually a postscaler, but shared with the Timer0 prescaler) may be assigned using the OPTION_REG register.

Note 1: The CLRWDT and SLEEP instructions clear the WDT and the postscaler, if assigned to the WDT, and prevent it from timing out and generating a device RESET condition.

2: When a CLRWDT instruction is executed and the prescaler is assigned to the WDT, the prescaler count will be cleared, but the prescaler assignment is not changed.

FIGURE 12-11: WATCHDOG TIMER BLOCK DIAGRAM

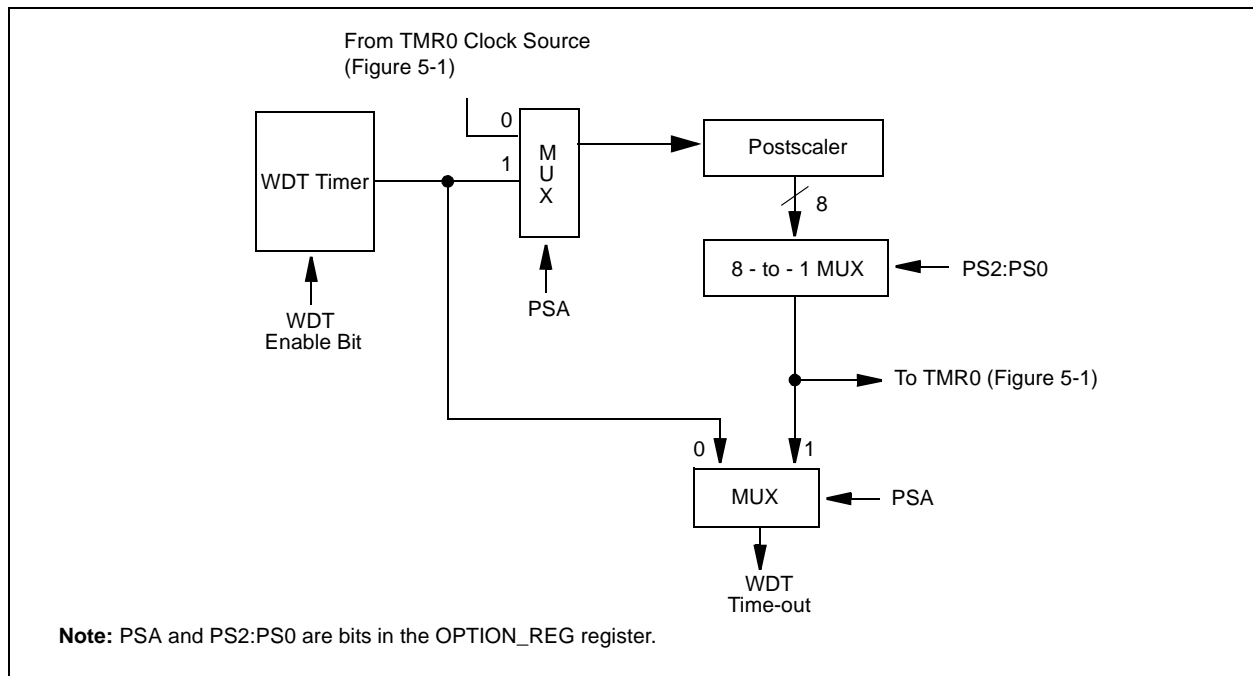


TABLE 12-7: SUMMARY OF WATCHDOG TIMER REGISTERS

| Address | Name | Bit 7 | Bit 6 | Bit 5 | Bit 4 | Bit 3 | Bit 2 | Bit 1 | Bit 0 |
|----------|--------------|--------------|----------------------|-------|-------|----------------------|-------|-------|-------|
| 2007h | Config. bits | (1) | BODEN ⁽¹⁾ | — | CP0 | PWRTE ⁽¹⁾ | WDTE | FOSC1 | FOSC0 |
| 81h,181h | OPTION_REG | RBP <u>U</u> | INTEDG | T0CS | T0SE | PSA | PS2 | PS1 | PS0 |

Legend: Shaded cells are not used by the Watchdog Timer.

Note 1: See Register 12-1 for operation of these bits.

PIC16F7X

12.14 Power-down Mode (SLEEP)

Power-down mode is entered by executing a `SLEEP` instruction.

If enabled, the Watchdog Timer will be cleared but keeps running, the \overline{PD} bit (`STATUS<3>`) is cleared, the \overline{TO} (`STATUS<4>`) bit is set, and the oscillator driver is turned off. The I/O ports maintain the status they had before the `SLEEP` instruction was executed (driving high, low, or hi-impedance).

For lowest current consumption in this mode, place all I/O pins at either V_{DD} or V_{SS} , ensure no external circuitry is drawing current from the I/O pin, power-down the A/D and disable external clocks. Pull all I/O pins that are hi-impedance inputs, high or low externally, to avoid switching currents caused by floating inputs. The `T0CKI` input should also be at V_{DD} or V_{SS} for lowest current consumption. The contribution from on-chip pull-ups on `PORTB` should also be considered.

The \overline{MCLR} pin must be at a logic high level (V_{IHMC}).

12.14.1 WAKE-UP FROM SLEEP

The device can wake-up from `SLEEP` through one of the following events:

1. External `RESET` input on \overline{MCLR} pin.
2. Watchdog Timer wake-up (if `WDT` was enabled).
3. Interrupt from `INT` pin, `RB` port change or a Peripheral Interrupt.

External \overline{MCLR} Reset will cause a device `RESET`. All other events are considered a continuation of program execution and cause a "wake-up". The \overline{TO} and \overline{PD} bits in the `STATUS` register can be used to determine the cause of device `RESET`. The \overline{PD} bit, which is set on power-up, is cleared when `SLEEP` is invoked. The \overline{TO} bit is cleared if a `WDT` time-out occurred and caused wake-up.

The following peripheral interrupts can wake the device from `SLEEP`:

1. `PSP` read or write (`PIC16F74/77` only).
2. `TMR1` interrupt. `Timer1` must be operating as an asynchronous counter.
3. `CCP` Capture mode interrupt.
4. Special event trigger (`Timer1` in Asynchronous mode, using an external clock).
5. `SSP` (`START/STOP`) bit detect interrupt.
6. `SSP` transmit or receive in Slave mode (`SPI/I2C`).
7. `USART` `RX` or `TX` (Synchronous Slave mode).
8. A/D conversion (when A/D clock source is `RC`).

Other peripherals cannot generate interrupts, since during `SLEEP`, no on-chip clocks are present.

When the `SLEEP` instruction is being executed, the next instruction (`PC + 1`) is pre-fetched. For the device to wake-up through an interrupt event, the corresponding interrupt enable bit must be set (enabled). Wake-up occurs, regardless of the state of the `GIE` bit. If the `GIE` bit is clear (disabled), the device continues execution at the instruction after the `SLEEP` instruction. If the `GIE` bit is set (enabled), the device executes the instruction after the `SLEEP` instruction and then branches to the interrupt address (`0004h`). In cases where the execution of the instruction following `SLEEP` is not desirable, the user should have a `NOP` after the `SLEEP` instruction.

12.14.2 WAKE-UP USING INTERRUPTS

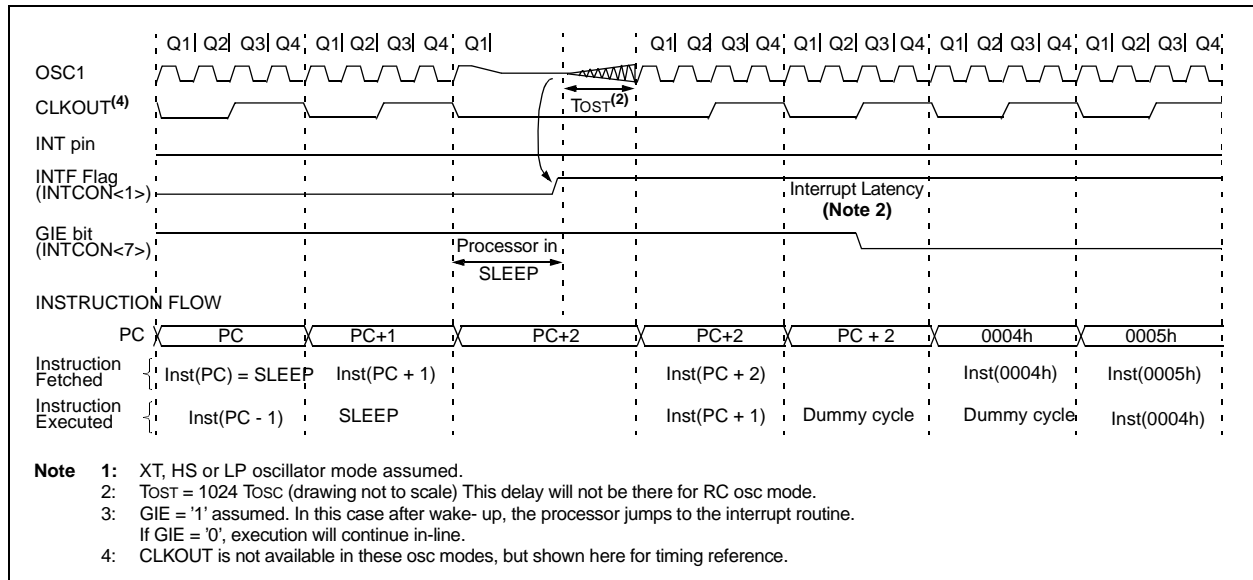
When global interrupts are disabled (`GIE` cleared) and any interrupt source has both its interrupt enable bit and interrupt flag bit set, one of the following will occur:

- If the interrupt occurs **before** the execution of a `SLEEP` instruction, the `SLEEP` instruction will complete as a `NOP`. Therefore, the `WDT` and `WDT` postscaler will not be cleared, the \overline{TO} bit will not be set and \overline{PD} bits will not be cleared.
- If the interrupt occurs **during or after** the execution of a `SLEEP` instruction, the device will immediately wake-up from `SLEEP`. The `SLEEP` instruction will be completely executed before the wake-up. Therefore, the `WDT` and `WDT` postscaler will be cleared, the \overline{TO} bit will be set and the \overline{PD} bit will be cleared.

Even if the flag bits were checked before executing a `SLEEP` instruction, it may be possible for flag bits to become set before the `SLEEP` instruction completes. To determine whether a `SLEEP` instruction executed, test the \overline{PD} bit. If the \overline{PD} bit is set, the `SLEEP` instruction was executed as a `NOP`.

To ensure that the `WDT` is cleared, a `CLRWDT` instruction should be executed before a `SLEEP` instruction.

FIGURE 12-12: WAKE-UP FROM SLEEP THROUGH INTERRUPT



12.15 Program Verification/Code Protection

If the code protection bit(s) have not been programmed, the on-chip program memory can be read out for verification purposes.

12.16 ID Locations

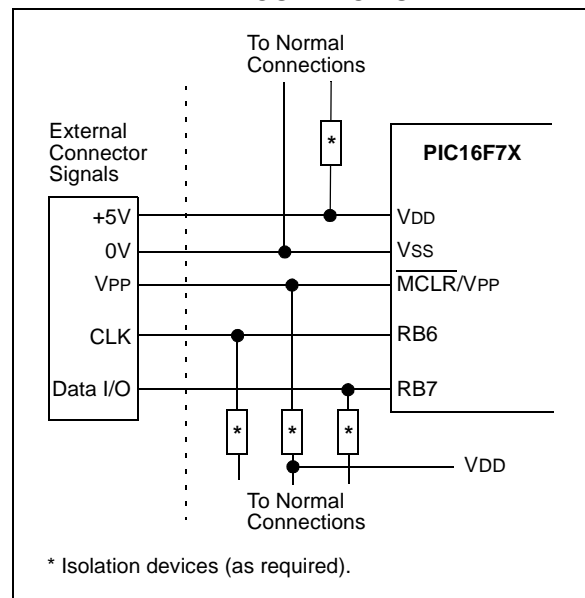
Four memory locations (2000h - 2003h) are designated as ID locations, where the user can store checksum or other code identification numbers. These locations are not accessible during normal execution, but are readable and writable during program/verify. It is recommended that only the 4 Least Significant bits of the ID location are used.

12.17 In-Circuit Serial Programming

PIC16F7X microcontrollers can be serially programmed while in the end application circuit. This is simply done, with two lines for clock and data and three other lines for power, ground, and the programming voltage (see Figure 12-13 for an example). This allows customers to manufacture boards with unprogrammed devices, and then program the microcontroller just before shipping the product. This also allows the most recent firmware or a custom firmware to be programmed.

For general information of serial programming, please refer to the In-Circuit Serial Programming (ICSP™) Guide (DS30277). For specific details on programming commands and operations for the PIC16F7X devices, please refer to the latest version of the PIC16F7X FLASH Program Memory Programming Specification (DS30324).

FIGURE 12-13: TYPICAL IN-CIRCUIT SERIAL PROGRAMMING CONNECTION



PIC16F7X

NOTES:

13.0 INSTRUCTION SET SUMMARY

The PIC16 instruction set is highly orthogonal and is comprised of three basic categories:

- **Byte-oriented** operations
- **Bit-oriented** operations
- **Literal and control** operations

Each PIC16 instruction is a 14-bit word divided into an **opcode**, which specifies the instruction type and one or more **operands**, which further specify the operation of the instruction. The formats for each of the categories are presented in Figure 13-1, while the various opcode fields are summarized in Table 13-1.

Table 13-2 lists the instructions recognized by the MPASM™ Assembler. A complete description of each instruction is also available in the PICmicro™ Mid-Range Reference Manual (DS33023).

For **byte-oriented** instructions, 'f' represents a file register designator and 'd' represents a destination designator. The file register designator specifies which file register is to be used by the instruction.

The destination designator specifies where the result of the operation is to be placed. If 'd' is zero, the result is placed in the W register. If 'd' is one, the result is placed in the file register specified in the instruction.

For **bit-oriented** instructions, 'b' represents a bit field designator, which selects the bit affected by the operation, while 'f' represents the address of the file in which the bit is located.

For **literal and control** operations, 'k' represents an eight- or eleven-bit constant or literal value

One instruction cycle consists of four oscillator periods; for an oscillator frequency of 4 MHz, this gives a normal instruction execution time of 1 μs. All instructions are executed within a single instruction cycle, unless a conditional test is true, or the program counter is changed as a result of an instruction. When this occurs, the execution takes two instruction cycles, with the second cycle executed as a NOP.

Note: To maintain upward compatibility with future PIC16F7X products, do not use the OPTION and TRIS instructions.

All instruction examples use the format '0xhh' to represent a hexadecimal number, where 'h' signifies a hexadecimal digit.

13.1 READ-MODIFY-WRITE OPERATIONS

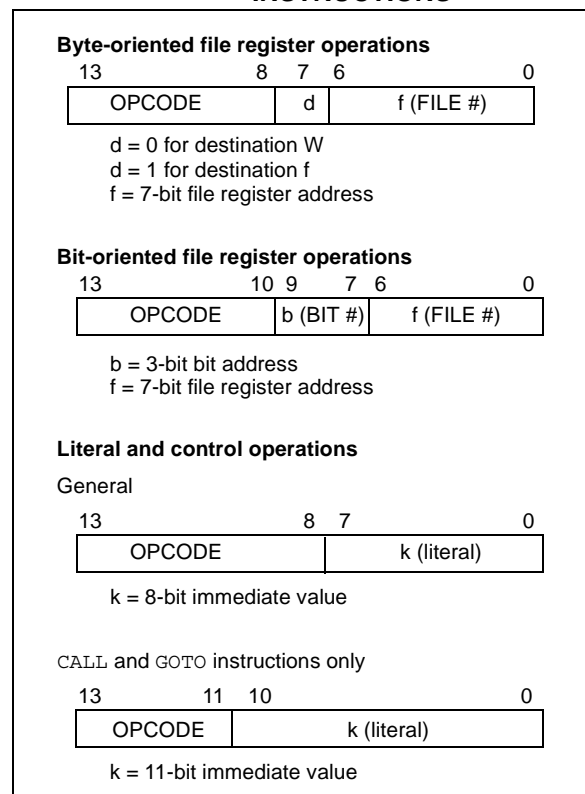
Any instruction that specifies a file register as part of the instruction performs a Read-Modify-Write (R-M-W) operation. The register is read, the data is modified, and the result is stored according to either the instruction, or the destination designator 'd'. A read operation is performed on a register even if the instruction writes to that register.

For example, a "clrf PORTB" instruction will read PORTB, clear all the data bits, then write the result back to PORTB. This example would have the unintended result that the condition that sets the RBIF flag would be cleared for pins configured as inputs and using the PORTB interrupt-on-change feature.

TABLE 13-1: OPCODE FIELD DESCRIPTIONS

| Field | Description |
|-------|---|
| f | Register file address (0x00 to 0x7F) |
| w | Working register (accumulator) |
| b | Bit address within an 8-bit file register |
| k | Literal field, constant data or label |
| x | Don't care location (= 0 or 1). The assembler will generate code with x = 0. It is the recommended form of use for compatibility with all Microchip software tools. |
| d | Destination select; d = 0: store result in W, d = 1: store result in file register f. Default is d = 1. |
| PC | Program Counter |
| TO | Time-out bit |
| PD | Power-down bit |

FIGURE 13-1: GENERAL FORMAT FOR INSTRUCTIONS



PIC16F7X

TABLE 13-2: PIC16F7X INSTRUCTION SET

| Mnemonic, Operands | Description | Cycles | 14-Bit Opcode | | | Status Affected | Notes |
|---|-------------|------------------------------|---------------|-----|----------------|--------------------|-------|
| | | | MSb | LSb | | | |
| BYTE-ORIENTED FILE REGISTER OPERATIONS | | | | | | | |
| ADDWF | f, d | Add W and f | 1 | 00 | 0111 dfff ffff | C,DC,Z | 1,2 |
| ANDWF | f, d | AND W with f | 1 | 00 | 0101 dfff ffff | Z | 1,2 |
| CLRF | f | Clear f | 1 | 00 | 0001 1fff ffff | Z | 2 |
| CLRW | - | Clear W | 1 | 00 | 0001 0xxx xxxx | Z | |
| COMF | f, d | Complement f | 1 | 00 | 1001 dfff ffff | Z | 1,2 |
| DECf | f, d | Decrement f | 1 | 00 | 0011 dfff ffff | Z | 1,2 |
| DECFSZ | f, d | Decrement f, Skip if 0 | 1(2) | 00 | 1011 dfff ffff | | 1,2,3 |
| INCF | f, d | Increment f | 1 | 00 | 1010 dfff ffff | Z | 1,2 |
| INCFSZ | f, d | Increment f, Skip if 0 | 1(2) | 00 | 1111 dfff ffff | | 1,2,3 |
| IORWF | f, d | Inclusive OR W with f | 1 | 00 | 0100 dfff ffff | Z | 1,2 |
| MOVF | f, d | Move f | 1 | 00 | 1000 dfff ffff | Z | 1,2 |
| MOVWF | f | Move W to f | 1 | 00 | 0000 1fff ffff | | |
| NOP | - | No Operation | 1 | 00 | 0000 0xx0 0000 | | |
| RLF | f, d | Rotate Left f through Carry | 1 | 00 | 1101 dfff ffff | C | 1,2 |
| RRF | f, d | Rotate Right f through Carry | 1 | 00 | 1100 dfff ffff | C | 1,2 |
| SUBWF | f, d | Subtract W from f | 1 | 00 | 0010 dfff ffff | C,DC,Z | 1,2 |
| SWAPF | f, d | Swap nibbles in f | 1 | 00 | 1110 dfff ffff | | 1,2 |
| XORWF | f, d | Exclusive OR W with f | 1 | 00 | 0110 dfff ffff | Z | 1,2 |
| BIT-ORIENTED FILE REGISTER OPERATIONS | | | | | | | |
| BCF | f, b | Bit Clear f | 1 | 01 | 00bb bfff ffff | | 1,2 |
| BSF | f, b | Bit Set f | 1 | 01 | 01bb bfff ffff | | 1,2 |
| BTFSC | f, b | Bit Test f, Skip if Clear | 1 (2) | 01 | 10bb bfff ffff | | 3 |
| BTFSS | f, b | Bit Test f, Skip if Set | 1 (2) | 01 | 11bb bfff ffff | | 3 |
| LITERAL AND CONTROL OPERATIONS | | | | | | | |
| ADDLW | k | Add literal and W | 1 | 11 | 111x kkkk kkkk | C,DC,Z | |
| ANDLW | k | AND literal with W | 1 | 11 | 1001 kkkk kkkk | Z | |
| CALL | k | Call subroutine | 2 | 10 | 0kkk kkkk kkkk | | |
| CLRWD _T | - | Clear Watchdog Timer | 1 | 00 | 0000 0110 0100 | $\overline{TO,PD}$ | |
| GOTO | k | Go to address | 2 | 10 | 1kkk kkkk kkkk | | |
| IORLW | k | Inclusive OR literal with W | 1 | 11 | 1000 kkkk kkkk | Z | |
| MOVLW | k | Move literal to W | 1 | 11 | 00xx kkkk kkkk | | |
| RETFIE | - | Return from interrupt | 2 | 00 | 0000 0000 1001 | | |
| RETLW | k | Return with literal in W | 2 | 11 | 01xx kkkk kkkk | | |
| RETURN | - | Return from Subroutine | 2 | 00 | 0000 0000 1000 | | |
| SLEEP | - | Go into Standby mode | 1 | 00 | 0000 0110 0011 | $\overline{TO,PD}$ | |
| SUBLW | k | Subtract W from literal | 1 | 11 | 110x kkkk kkkk | C,DC,Z | |
| XORLW | k | Exclusive OR literal with W | 1 | 11 | 1010 kkkk kkkk | Z | |

- Note 1:** When an I/O register is modified as a function of itself (e.g., MOVF PORTB, 1), the value used will be that value present on the pins themselves. For example, if the data latch is '1' for a pin configured as input and is driven low by an external device, the data will be written back with a '0'.
- 2:** If this instruction is executed on the TMR0 register (and, where applicable, d = 1), the prescaler will be cleared if assigned to the Timer0 module.
- 3:** If Program Counter (PC) is modified, or a conditional test is true, the instruction requires two cycles. The second cycle is executed as a NOP.

Note: Additional information on the mid-range instruction set is available in the PICmicro™ Mid-Range MCU Family Reference Manual (DS33023).

13.2 Instruction Descriptions

ADDLW **Add Literal and W**

Syntax: [*label*] ADDLW *k*

Operands: $0 \leq k \leq 255$

Operation: $(W) + k \rightarrow (W)$

Status Affected: C, DC, Z

Description: The contents of the W register are added to the eight-bit literal 'k' and the result is placed in the W register.

ADDWF **Add W and f**

Syntax: [*label*] ADDWF *f,d*

Operands: $0 \leq f \leq 127$
 $d \in [0,1]$

Operation: $(W) + (f) \rightarrow (\text{destination})$

Status Affected: C, DC, Z

Description: Add the contents of the W register with register 'f'. If 'd' is 0, the result is stored in the W register. If 'd' is 1, the result is stored back in register 'f'.

ANDLW **AND Literal with W**

Syntax: [*label*] ANDLW *k*

Operands: $0 \leq k \leq 255$

Operation: $(W) .\text{AND.} (k) \rightarrow (W)$

Status Affected: Z

Description: The contents of W register are AND'ed with the eight-bit literal 'k'. The result is placed in the W register.

ANDWF **AND W with f**

Syntax: [*label*] ANDWF *f,d*

Operands: $0 \leq f \leq 127$
 $d \in [0,1]$

Operation: $(W) .\text{AND.} (f) \rightarrow (\text{destination})$

Status Affected: Z

Description: AND the W register with register 'f'. If 'd' is 0, the result is stored in the W register. If 'd' is 1, the result is stored back in register 'f'.

BCF **Bit Clear f**

Syntax: [*label*] BCF *f,b*

Operands: $0 \leq f \leq 127$
 $0 \leq b \leq 7$

Operation: $0 \rightarrow (f)$

Status Affected: None

Description: Bit 'b' in register 'f' is cleared.

BSF **Bit Set f**

Syntax: [*label*] BSF *f,b*

Operands: $0 \leq f \leq 127$
 $0 \leq b \leq 7$

Operation: $1 \rightarrow (f)$

Status Affected: None

Description: Bit 'b' in register 'f' is set.

BTFSF **Bit Test f, Skip if Set**

Syntax: [*label*] BTFSF *f,b*

Operands: $0 \leq f \leq 127$
 $0 \leq b < 7$

Operation: skip if $(f) = 1$

Status Affected: None

Description: If bit 'b' in register 'f' is '0', the next instruction is executed. If bit 'b' is '1', then the next instruction is discarded and a NOP is executed instead, making this a 2TCY instruction.

BTFSF **Bit Test, Skip if Clear**

Syntax: [*label*] BTFSF *f,b*

Operands: $0 \leq f \leq 127$
 $0 \leq b \leq 7$

Operation: skip if $(f) = 0$

Status Affected: None

Description: If bit 'b' in register 'f' is '1', the next instruction is executed. If bit 'b', in register 'f', is '0', the next instruction is discarded, and a NOP is executed instead, making this a 2TCY instruction.

PIC16F7X

CALL **Call Subroutine**

Syntax: [*label*] CALL k
Operands: $0 \leq k \leq 2047$
Operation: (PC)+ 1 → TOS,
 k → PC<10:0>,
 (PCLATH<4:3>) → PC<12:11>
Status Affected: None
Description: Call Subroutine. First, return address (PC+1) is pushed onto the stack. The eleven-bit immediate address is loaded into PC bits <10:0>. The upper bits of the PC are loaded from PCLATH. CALL is a two-cycle instruction.

CLRWDT **Clear Watchdog Timer**

Syntax: [*label*] CLRWDT
Operands: None
Operation: 00h → WDT
 0 → WDT prescaler,
 1 → \overline{TO}
 1 → \overline{PD}
Status Affected: \overline{TO} , \overline{PD}
Description: CLRWDT instruction resets the Watchdog Timer. It also resets the prescaler of the WDT. Status bits \overline{TO} and \overline{PD} are set.

CLRF **Clear f**

Syntax: [*label*] CLRF f
Operands: $0 \leq f \leq 127$
Operation: 00h → (f)
 1 → Z
Status Affected: Z
Description: The contents of register 'f' are cleared and the Z bit is set.

COMF **Complement f**

Syntax: [*label*] COMF f,d
Operands: $0 \leq f \leq 127$
 d ∈ [0,1]
Operation: (\bar{f}) → (destination)
Status Affected: Z
Description: The contents of register 'f' are complemented. If 'd' is 0, the result is stored in W. If 'd' is 1, the result is stored back in register 'f'.

CLRW **Clear W**

Syntax: [*label*] CLRW
Operands: None
Operation: 00h → (W)
 1 → Z
Status Affected: Z
Description: W register is cleared. Zero bit (Z) is set.

DECF **Decrement f**

Syntax: [*label*] DECF f,d
Operands: $0 \leq f \leq 127$
 d ∈ [0,1]
Operation: (f) - 1 → (destination)
Status Affected: Z
Description: Decrement register 'f'. If 'd' is 0, the result is stored in the W register. If 'd' is 1, the result is stored back in register 'f'.

DECFSZ Decrement f, Skip if 0

Syntax: [*label*] DECFSZ f,d

Operands: $0 \leq f \leq 127$
 $d \in [0,1]$

Operation: (f) - 1 → (destination);
 skip if result = 0

Status Affected: None

Description: The contents of register 'f' are decremented. If 'd' is 0, the result is placed in the W register. If 'd' is 1, the result is placed back in register 'f'.
 If the result is 1, the next instruction is executed. If the result is 0, then a NOP is executed instead, making it a 2TCY instruction.

INCFSZ Increment f, Skip if 0

Syntax: [*label*] INCFSZ f,d

Operands: $0 \leq f \leq 127$
 $d \in [0,1]$

Operation: (f) + 1 → (destination),
 skip if result = 0

Status Affected: None

Description: The contents of register 'f' are incremented. If 'd' is 0, the result is placed in the W register. If 'd' is 1, the result is placed back in register 'f'.
 If the result is 1, the next instruction is executed. If the result is 0, a NOP is executed instead, making it a 2TCY instruction.

GOTO Unconditional Branch

Syntax: [*label*] GOTO k

Operands: $0 \leq k \leq 2047$

Operation: $k \rightarrow PC<10:0>$
 $PCLATH<4:3> \rightarrow PC<12:11>$

Status Affected: None

Description: GOTO is an unconditional branch. The eleven-bit immediate value is loaded into PC bits <10:0>. The upper bits of PC are loaded from PCLATH<4:3>. GOTO is a two-cycle instruction.

IORLW Inclusive OR Literal with W

Syntax: [*label*] IORLW k

Operands: $0 \leq k \leq 255$

Operation: (W) .OR. k → (W)

Status Affected: Z

Description: The contents of the W register are OR'ed with the eight-bit literal 'k'. The result is placed in the W register.

INCF Increment f

Syntax: [*label*] INCF f,d

Operands: $0 \leq f \leq 127$
 $d \in [0,1]$

Operation: (f) + 1 → (destination)

Status Affected: Z

Description: The contents of register 'f' are incremented. If 'd' is 0, the result is placed in the W register. If 'd' is 1, the result is placed back in register 'f'.

IORWF Inclusive OR W with f

Syntax: [*label*] IORWF f,d

Operands: $0 \leq f \leq 127$
 $d \in [0,1]$

Operation: (W) .OR. (f) → (destination)

Status Affected: Z

Description: Inclusive OR the W register with register 'f'. If 'd' is 0, the result is placed in the W register. If 'd' is 1, the result is placed back in register 'f'.

PIC16F7X

MOVF **Move f**

Syntax: [*label*] MOVF f,d
Operands: $0 \leq f \leq 127$
 $d \in [0,1]$
Operation: (f) → (destination)
Status Affected: Z
Description: The contents of register f are moved to a destination dependant upon the status of d. If d = 0, destination is W register. If d = 1, the destination is file register f itself. d = 1 is useful to test a file register, since status flag Z is affected.

MOVLW **Move Literal to W**

Syntax: [*label*] MOVLW k
Operands: $0 \leq k \leq 255$
Operation: $k \rightarrow (W)$
Status Affected: None
Description: The eight-bit literal 'k' is loaded into W register. The don't cares will assemble as 0's.

MOVWF **Move W to f**

Syntax: [*label*] MOVWF f
Operands: $0 \leq f \leq 127$
Operation: (W) → (f)
Status Affected: None
Description: Move data from W register to register 'f'.

NOP **No Operation**

Syntax: [*label*] NOP
Operands: None
Operation: No operation
Status Affected: None
Description: No operation.

RETFIE **Return from Interrupt**

Syntax: [*label*] RETFIE
Operands: None
Operation: TOS → PC,
 1 → GIE
Status Affected: None

RETLW **Return with Literal in W**

Syntax: [*label*] RETLW k
Operands: $0 \leq k \leq 255$
Operation: $k \rightarrow (W)$;
 TOS → PC
Status Affected: None
Description: The W register is loaded with the eight-bit literal 'k'. The program counter is loaded from the top of the stack (the return address). This is a two-cycle instruction.

RLF Rotate Left f through Carry

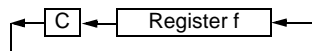
Syntax: [*label*] RLF f,d

Operands: $0 \leq f \leq 127$
 $d \in [0,1]$

Operation: See description below

Status Affected: C

Description: The contents of register 'f' are rotated one bit to the left through the Carry Flag. If 'd' is 0, the result is placed in the W register. If 'd' is 1, the result is stored back in register 'f'.



SLEEP

Syntax: [*label*] SLEEP

Operands: None

Operation: 00h → WDT,
 0 → WDT prescaler,
 1 → \overline{TO} ,
 0 → \overline{PD}

Status Affected: \overline{TO} , \overline{PD}

Description: The power-down status bit, \overline{PD} is cleared. Time-out status bit, \overline{TO} is set. Watchdog Timer and its prescaler are cleared. The processor is put into SLEEP mode with the oscillator stopped.

RETURN Return from Subroutine

Syntax: [*label*] RETURN

Operands: None

Operation: TOS → PC

Status Affected: None

Description: Return from subroutine. The stack is POPed and the top of the stack (TOS) is loaded into the program counter. This is a two-cycle instruction.

SUBLW Subtract W from Literal

Syntax: [*label*] SUBLW k

Operands: $0 \leq k \leq 255$

Operation: $k - (W) \rightarrow (W)$

Status Affected: C, DC, Z

Description: The W register is subtracted (2's complement method) from the eight-bit literal 'k'. The result is placed in the W register.

RRF Rotate Right f through Carry

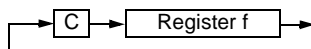
Syntax: [*label*] RRF f,d

Operands: $0 \leq f \leq 127$
 $d \in [0,1]$

Operation: See description below

Status Affected: C

Description: The contents of register 'f' are rotated one bit to the right through the Carry Flag. If 'd' is 0, the result is placed in the W register. If 'd' is 1, the result is placed back in register 'f'.



SUBWF Subtract W from f

Syntax: [*label*] SUBWF f,d

Operands: $0 \leq f \leq 127$
 $d \in [0,1]$

Operation: $(f) - (W) \rightarrow (\text{destination})$

Status Affected: C, DC, Z

Description: Subtract (2's complement method) W register from register 'f'. If 'd' is 0, the result is stored in the W register. If 'd' is 1, the result is stored back in register 'f'.

PIC16F7X

SWAPF **Swap Nibbles in f**

Syntax: [*label*] SWAPF f,d

Operands: $0 \leq f \leq 127$
 $d \in [0,1]$

Operation: (f<3:0>) → (destination<7:4>),
 (f<7:4>) → (destination<3:0>)

Status Affected: None

Description: The upper and lower nibbles of register 'f' are exchanged. If 'd' is 0, the result is placed in the W register. If 'd' is 1, the result is placed in register 'f'.

XORWF **Exclusive OR W with f**

Syntax: [*label*] XORWF f,d

Operands: $0 \leq f \leq 127$
 $d \in [0,1]$

Operation: (W) .XOR. (f) → (destination)

Status Affected: Z

Description: Exclusive OR the contents of the W register with register 'f'. If 'd' is 0, the result is stored in the W register. If 'd' is 1, the result is stored back in register 'f'.

XORLW **Exclusive OR Literal with W**

Syntax: [*label*] XORLW k

Operands: $0 \leq k \leq 255$

Operation: (W) .XOR. k → (W)

Status Affected: Z

Description: The contents of the W register are XOR'ed with the eight-bit literal 'k'. The result is placed in the W register.

14.0 DEVELOPMENT SUPPORT

The PICmicro[®] microcontrollers are supported with a full range of hardware and software development tools:

- Integrated Development Environment
 - MPLAB[®] IDE Software
- Assemblers/Compilers/Linkers
 - MPASM[™] Assembler
 - MPLAB C17 and MPLAB C18 C Compilers
 - MPLINK[™] Object Linker/
MPLIB[™] Object Librarian
- Simulators
 - MPLAB SIM Software Simulator
- Emulators
 - MPLAB ICE 2000 In-Circuit Emulator
 - ICEPIC[™] In-Circuit Emulator
- In-Circuit Debugger
 - MPLAB ICD
- Device Programmers
 - PRO MATE[®] II Universal Device Programmer
 - PICSTART[®] Plus Entry-Level Development Programmer
- Low Cost Demonstration Boards
 - PICDEM[™] 1 Demonstration Board
 - PICDEM 2 Demonstration Board
 - PICDEM 3 Demonstration Board
 - PICDEM 17 Demonstration Board
 - KEELOQ[®] Demonstration Board

14.1 MPLAB Integrated Development Environment Software

The MPLAB IDE software brings an ease of software development previously unseen in the 8-bit microcontroller market. The MPLAB IDE is a Windows[®]-based application that contains:

- An interface to debugging tools
 - simulator
 - programmer (sold separately)
 - emulator (sold separately)
 - in-circuit debugger (sold separately)
- A full-featured editor
- A project manager
- Customizable toolbar and key mapping
- A status bar
- On-line help

The MPLAB IDE allows you to:

- Edit your source files (either assembly or 'C')
- One touch assemble (or compile) and download to PICmicro emulator and simulator tools (automatically updates all project information)
- Debug using:
 - source files
 - absolute listing file
 - machine code

The ability to use MPLAB IDE with multiple debugging tools allows users to easily switch from the cost-effective simulator to a full-featured emulator with minimal retraining.

14.2 MPASM Assembler

The MPASM assembler is a full-featured universal macro assembler for all PICmicro MCU's.

The MPASM assembler has a command line interface and a Windows shell. It can be used as a stand-alone application on a Windows 3.x or greater system, or it can be used through MPLAB IDE. The MPASM assembler generates relocatable object files for the MPLINK object linker, Intel[®] standard HEX files, MAP files to detail memory usage and symbol reference, an absolute LST file that contains source lines and generated machine code, and a COD file for debugging.

The MPASM assembler features include:

- Integration into MPLAB IDE projects.
- User-defined macros to streamline assembly code.
- Conditional assembly for multi-purpose source files.
- Directives that allow complete control over the assembly process.

14.3 MPLAB C17 and MPLAB C18 C Compilers

The MPLAB C17 and MPLAB C18 Code Development Systems are complete ANSI 'C' compilers for Microchip's PIC17CXXX and PIC18CXXX family of microcontrollers, respectively. These compilers provide powerful integration capabilities and ease of use not found with other compilers.

For easier source level debugging, the compilers provide symbol information that is compatible with the MPLAB IDE memory display.

14.4 MPLINK Object Linker/ MPLIB Object Librarian

The MPLINK object linker combines relocatable objects created by the MPASM assembler and the MPLAB C17 and MPLAB C18 C compilers. It can also link relocatable objects from pre-compiled libraries, using directives from a linker script.

The MPLIB object librarian is a librarian for pre-compiled code to be used with the MPLINK object linker. When a routine from a library is called from another source file, only the modules that contain that routine will be linked in with the application. This allows large libraries to be used efficiently in many different applications. The MPLIB object librarian manages the creation and modification of library files.

The MPLINK object linker features include:

- Integration with MPASM assembler and MPLAB C17 and MPLAB C18 C compilers.
- Allows all memory areas to be defined as sections to provide link-time flexibility.

The MPLIB object librarian features include:

- Easier linking because single libraries can be included instead of many smaller files.
- Helps keep code maintainable by grouping related modules together.
- Allows libraries to be created and modules to be added, listed, replaced, deleted or extracted.

14.5 MPLAB SIM Software Simulator

The MPLAB SIM software simulator allows code development in a PC-hosted environment by simulating the PICmicro series microcontrollers on an instruction level. On any given instruction, the data areas can be examined or modified and stimuli can be applied from a file, or user-defined key press, to any of the pins. The execution can be performed in single step, execute until break, or trace mode.

The MPLAB SIM simulator fully supports symbolic debugging using the MPLAB C17 and the MPLAB C18 C compilers and the MPASM assembler. The software simulator offers the flexibility to develop and debug code outside of the laboratory environment, making it an excellent multi-project software development tool.

14.6 MPLAB ICE High Performance Universal In-Circuit Emulator with MPLAB IDE

The MPLAB ICE universal in-circuit emulator is intended to provide the product development engineer with a complete microcontroller design tool set for PICmicro microcontrollers (MCUs). Software control of the MPLAB ICE in-circuit emulator is provided by the MPLAB Integrated Development Environment (IDE), which allows editing, building, downloading and source debugging from a single environment.

The MPLAB ICE 2000 is a full-featured emulator system with enhanced trace, trigger and data monitoring features. Interchangeable processor modules allow the system to be easily reconfigured for emulation of different processors. The universal architecture of the MPLAB ICE in-circuit emulator allows expansion to support new PICmicro microcontrollers.

The MPLAB ICE in-circuit emulator system has been designed as a real-time emulation system, with advanced features that are generally found on more expensive development tools. The PC platform and Microsoft® Windows environment were chosen to best make these features available to you, the end user.

14.7 ICEPIC In-Circuit Emulator

The ICEPIC low cost, in-circuit emulator is a solution for the Microchip Technology PIC16C5X, PIC16C6X, PIC16C7X and PIC16CXXX families of 8-bit One-Time-Programmable (OTP) microcontrollers. The modular system can support different subsets of PIC16C5X or PIC16CXXX products through the use of interchangeable personality modules, or daughter boards. The emulator is capable of emulating without target application circuitry being present.

14.8 MPLAB ICD In-Circuit Debugger

Microchip's In-Circuit Debugger, MPLAB ICD, is a powerful, low cost, run-time development tool. This tool is based on the FLASH PICmicro MCUs and can be used to develop for this and other PICmicro microcontrollers. The MPLAB ICD utilizes the in-circuit debugging capability built into the FLASH devices. This feature, along with Microchip's In-Circuit Serial Programming™ protocol, offers cost-effective in-circuit FLASH debugging from the graphical user interface of the MPLAB Integrated Development Environment. This enables a designer to develop and debug source code by watching variables, single-stepping and setting break points. Running at full speed enables testing hardware in real-time.

14.9 PRO MATE II Universal Device Programmer

The PRO MATE II universal device programmer is a full-featured programmer, capable of operating in stand-alone mode, as well as PC-hosted mode. The PRO MATE II device programmer is CE compliant.

The PRO MATE II device programmer has programmable VDD and VPP supplies, which allow it to verify programmed memory at VDD min and VDD max for maximum reliability. It has an LCD display for instructions and error messages, keys to enter commands and a modular detachable socket assembly to support various package types. In stand-alone mode, the PRO MATE II device programmer can read, verify, or program PICmicro devices. It can also set code protection in this mode.

14.10 PICSTART Plus Entry Level Development Programmer

The PICSTART Plus development programmer is an easy-to-use, low cost, prototype programmer. It connects to the PC via a COM (RS-232) port. MPLAB Integrated Development Environment software makes using the programmer simple and efficient.

The PICSTART Plus development programmer supports all PICmicro devices with up to 40 pins. Larger pin count devices, such as the PIC16C92X and PIC17C76X, may be supported with an adapter socket. The PICSTART Plus development programmer is CE compliant.

14.11 PICDEM 1 Low Cost PICmicro Demonstration Board

The PICDEM 1 demonstration board is a simple board which demonstrates the capabilities of several of Microchip's microcontrollers. The microcontrollers supported are: PIC16C5X (PIC16C54 to PIC16C58A), PIC16C61, PIC16C62X, PIC16C71, PIC16C8X, PIC17C42, PIC17C43 and PIC17C44. All necessary hardware and software is included to run basic demo programs. The user can program the sample microcontrollers provided with the PICDEM 1 demonstration board on a PRO MATE II device programmer, or a PICSTART Plus development programmer, and easily test firmware. The user can also connect the PICDEM 1 demonstration board to the MPLAB ICE in-circuit emulator and download the firmware to the emulator for testing. A prototype area is available for the user to build some additional hardware and connect it to the microcontroller socket(s). Some of the features include an RS-232 interface, a potentiometer for simulated analog input, push button switches and eight LEDs connected to PORTB.

14.12 PICDEM 2 Low Cost PIC16CXX Demonstration Board

The PICDEM 2 demonstration board is a simple demonstration board that supports the PIC16C62, PIC16C64, PIC16C65, PIC16C73 and PIC16C74 microcontrollers. All the necessary hardware and software is included to run the basic demonstration programs. The user can program the sample microcontrollers provided with the PICDEM 2 demonstration board on a PRO MATE II device programmer, or a PICSTART Plus development programmer, and easily test firmware. The MPLAB ICE in-circuit emulator may also be used with the PICDEM 2 demonstration board to test firmware. A prototype area has been provided to the user for adding additional hardware and connecting it to the microcontroller socket(s). Some of the features include a RS-232 interface, push button switches, a potentiometer for simulated analog input, a serial EEPROM to demonstrate usage of the I²C™ bus and separate headers for connection to an LCD module and a keypad.

PIC16F7X

14.13 PICDEM 3 Low Cost PIC16CXXX Demonstration Board

The PICDEM 3 demonstration board is a simple demonstration board that supports the PIC16C923 and PIC16C924 in the PLCC package. It will also support future 44-pin PLCC microcontrollers with an LCD Module. All the necessary hardware and software is included to run the basic demonstration programs. The user can program the sample microcontrollers provided with the PICDEM 3 demonstration board on a PRO MATE II device programmer, or a PICSTART Plus development programmer with an adapter socket, and easily test firmware. The MPLAB ICE in-circuit emulator may also be used with the PICDEM 3 demonstration board to test firmware. A prototype area has been provided to the user for adding hardware and connecting it to the microcontroller socket(s). Some of the features include a RS-232 interface, push button switches, a potentiometer for simulated analog input, a thermistor and separate headers for connection to an external LCD module and a keypad. Also provided on the PICDEM 3 demonstration board is a LCD panel, with 4 commons and 12 segments, that is capable of displaying time, temperature and day of the week. The PICDEM 3 demonstration board provides an additional RS-232 interface and Windows software for showing the demultiplexed LCD signals on a PC. A simple serial interface allows the user to construct a hardware demultiplexer for the LCD signals.

14.14 PICDEM 17 Demonstration Board

The PICDEM 17 demonstration board is an evaluation board that demonstrates the capabilities of several Microchip microcontrollers, including PIC17C752, PIC17C756A, PIC17C762 and PIC17C766. All necessary hardware is included to run basic demo programs, which are supplied on a 3.5-inch disk. A programmed sample is included and the user may erase it and program it with the other sample programs using the PRO MATE II device programmer, or the PICSTART Plus development programmer, and easily debug and test the sample code. In addition, the PICDEM 17 demonstration board supports downloading of programs to and executing out of external FLASH memory on board. The PICDEM 17 demonstration board is also usable with the MPLAB ICE in-circuit emulator, or the PICMASTER emulator and all of the sample programs can be run and modified using either emulator. Additionally, a generous prototype area is available for user hardware.

14.15 KEELOQ Evaluation and Programming Tools

KEELOQ evaluation and programming tools support Microchip's HCS Secure Data Products. The HCS evaluation kit includes a LCD display to show changing codes, a decoder to decode transmissions and a programming interface to program test transmitters.

TABLE 14-1: DEVELOPMENT TOOLS FROM MICROCHIP

| Tool | PIC12CXXXX | PIC14000 | PIC16C5X | PIC16C6X | PIC16CXX | PIC16C7X | PIC16C7XX | PIC16C8X | PIC16F8XX | PIC16C9XX | PIC17C4X | PIC17C7XX | PIC18CXX2 | PIC18FXX | 24CXX/ 25CXX/ 93CXX | HCSXX | MCRFXXX | MCP2510 |
|---|------------|----------|----------|----------|----------|----------|-----------|----------|-----------|-----------|----------|-----------|-----------|----------|---------------------------|-------|---------|---------|
| Software Tools | | | | | | | | | | | | | | | | | | |
| MPLAB® Integrated Development Environment | ✓ | ✓ | ✓ | ✓ | ✓ | ✓ | ✓ | ✓ | ✓ | ✓ | ✓ | ✓ | ✓ | ✓ | ✓ | ✓ | ✓ | ✓ |
| MPLAB® C17 C Compiler | | | | | | | | | | | | | | | | | | |
| MPLAB® C18 C Compiler | | | | | | | | | | | | | | | | | | |
| MPASM™ Assembler/ MPLINK™ Object Linker | ✓ | ✓ | ✓ | ✓ | ✓ | ✓ | ✓ | ✓ | ✓ | ✓ | ✓ | ✓ | ✓ | ✓ | ✓ | ✓ | ✓ | ✓ |
| MPLAB® ICE In-Circuit Emulator | ✓ | ✓ | ✓ | ✓ | ✓ | ✓ | ✓ | ✓ | ✓ | ✓ | ✓ | ✓ | ✓ | ✓ | ✓ | ✓ | ✓ | ✓ |
| ICEPIC™ In-Circuit Emulator | ✓ | | ✓ | ✓ | ✓ | ✓ | ✓ | ✓ | ✓ | ✓ | ✓ | ✓ | ✓ | ✓ | ✓ | ✓ | ✓ | ✓ |
| Debugger | | | | | | | | | | | | | | | | | | |
| MPLAB® ICD In-Circuit Debugger | | | ✓* | ✓* | ✓ | ✓* | ✓ | ✓ | ✓ | ✓ | ✓ | ✓ | ✓ | ✓ | ✓ | ✓ | ✓ | ✓ |
| Programmers | | | | | | | | | | | | | | | | | | |
| PICSTART® Plus Entry Level Development Programmer | ✓ | ✓ | ✓ | ✓ | ✓ | ✓ | ✓ | ✓ | ✓ | ✓ | ✓ | ✓ | ✓ | ✓ | ✓ | ✓ | ✓ | ✓ |
| PRO MATE® II Universal Device Programmer | ✓ | ✓ | ✓ | ✓ | ✓ | ✓ | ✓ | ✓ | ✓ | ✓ | ✓ | ✓ | ✓ | ✓ | ✓ | ✓ | ✓ | ✓ |
| Demo Boards and Eval Kits | | | | | | | | | | | | | | | | | | |
| PICDEM™ 1 Demonstration Board | | | ✓ | | ✓ | | | ✓ | | ✓ | | | | | | | | |
| PICDEM™ 2 Demonstration Board | | | | ✓† | | | | | | | | | ✓ | | | | | |
| PICDEM™ 3 Demonstration Board | | | | | | | | | ✓ | | | | | | | | | |
| PICDEM™ 14A Demonstration Board | | ✓ | | | | | | | | | | | | | | | | |
| PICDEM™ 17 Demonstration Board | | | | | | | | | | | ✓ | | | | | | | |
| KEELOQ® Evaluation Kit | | | | | | | | | | | | | | | | ✓ | | |
| KEELOQ® Transponder Kit | | | | | | | | | | | | | | | | ✓ | | |
| microID™ Programmer's Kit | | | | | | | | | | | | | | | | | ✓ | |
| 125 kHz microID™ Developer's Kit | | | | | | | | | | | | | | | | | ✓ | |
| 125 kHz Anticollision microID™ Developer's Kit | | | | | | | | | | | | | | | | | ✓ | |
| 13.56 MHz Anticollision microID™ Developer's Kit | | | | | | | | | | | | | | | | | ✓ | |
| MCP2510 CAN Developer's Kit | | | | | | | | | | | | | | | | | ✓ | ✓ |

* Contact the Microchip Technology Inc. web site at www.microchip.com for information on how to use the MPLAB® ICD In-Circuit Debugger (DV164001) with PIC16C62, 63, 64, 65, 72, 73, 74, 76, 77.

** Contact Microchip Technology Inc. for availability date.

† Development tool is available on select devices.

PIC16F7X

NOTES:

15.0 ELECTRICAL CHARACTERISTICS

Absolute Maximum Ratings †

| | |
|--|-----------------------------------|
| Ambient temperature under bias..... | -55 to +125°C |
| Storage temperature | -65°C to +150°C |
| Voltage on any pin with respect to V _{SS} (except V _{DD} , $\overline{\text{MCLR}}$, and RA4) | -0.3V to (V _{DD} + 0.3V) |
| Voltage on V _{DD} with respect to V _{SS} | -0.3 to +6.5V |
| Voltage on $\overline{\text{MCLR}}$ with respect to V _{SS} (Note 2) | 0 to +13.5V |
| Voltage on RA4 with respect to V _{SS} | 0 to +12V |
| Total power dissipation (Note 1) | 1.0W |
| Maximum current out of V _{SS} pin | 300 mA |
| Maximum current into V _{DD} pin | 250 mA |
| Input clamp current, I _{IK} (V _I < 0 or V _I > V _{DD})..... | ± 20 mA |
| Output clamp current, I _{OK} (V _O < 0 or V _O > V _{DD}) | ± 20 mA |
| Maximum output current sunk by any I/O pin..... | 25 mA |
| Maximum output current sourced by any I/O pin | 25 mA |
| Maximum current sunk by PORTA, PORTB, and PORTE (combined) (Note 3)..... | 200 mA |
| Maximum current sourced by PORTA, PORTB, and PORTE (combined) (Note 3)..... | 200 mA |
| Maximum current sunk by PORTC and PORTD (combined) (Note 3) | 200 mA |
| Maximum current sourced by PORTC and PORTD (combined) (Note 3) | 200 mA |

Note 1: Power dissipation is calculated as follows: $P_{dis} = V_{DD} \times \{I_{DD} - \sum I_{OH}\} + \sum \{(V_{DD} - V_{OH}) \times I_{OH}\} + \sum (V_{OL} \times I_{OL})$

2: Voltage spikes at the $\overline{\text{MCLR}}$ pin may cause latchup. A series resistor of greater than 1 k Ω should be used to pull $\overline{\text{MCLR}}$ to V_{DD}, rather than tying the pin directly to V_{DD}.

3: PORTD and PORTE are not implemented on the PIC16F73/76 devices.

† NOTICE: Stresses above those listed under “Absolute Maximum Ratings” may cause permanent damage to the device. This is a stress rating only and functional operation of the device at those or any other conditions above those indicated in the operation listings of this specification is not implied. Exposure to maximum rating conditions for extended periods may affect device reliability.

PIC16F7X

FIGURE 15-1: PIC16F7X VOLTAGE-FREQUENCY GRAPH

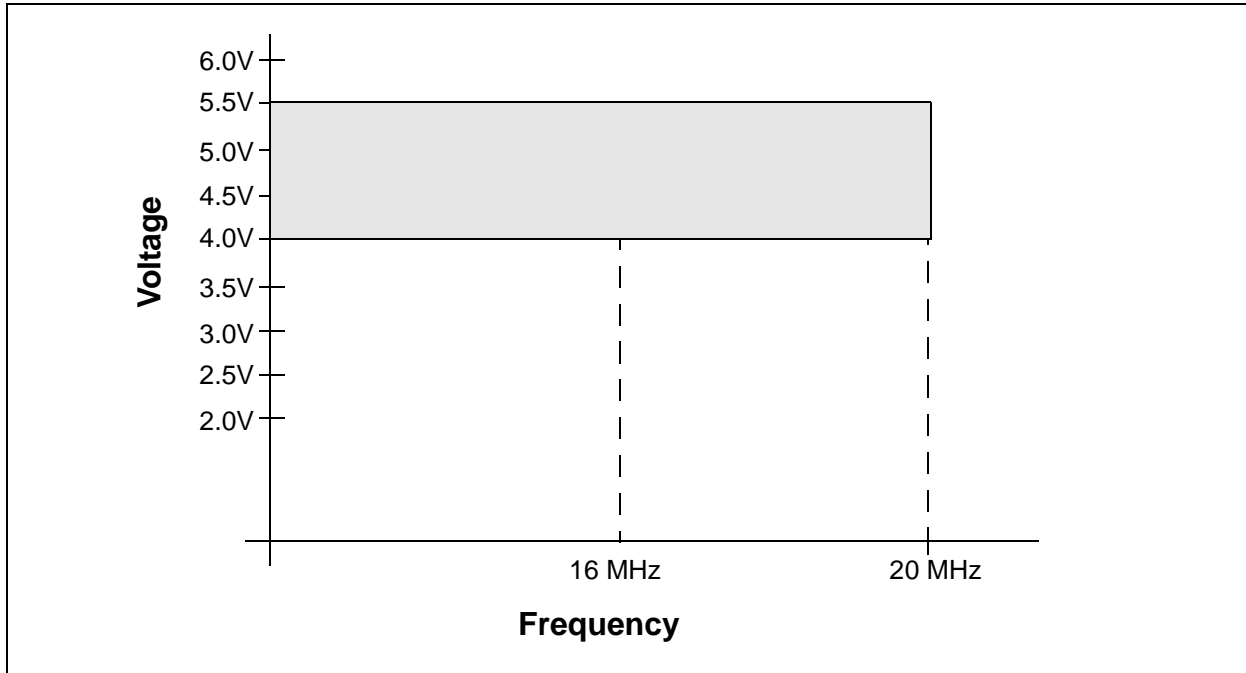
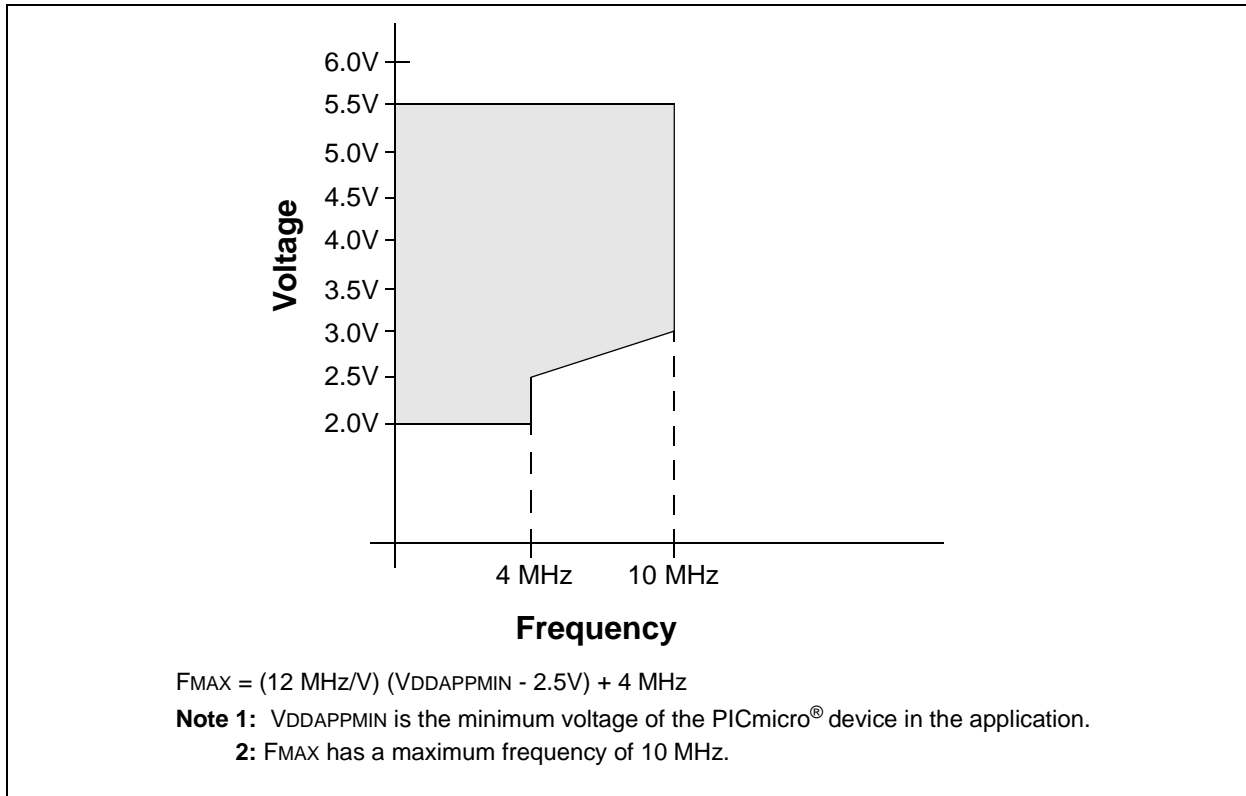


FIGURE 15-2: PIC16LF7X VOLTAGE-FREQUENCY GRAPH



15.1 DC Characteristics: PIC16F73/74/76/77 (Industrial, Extended) PIC16LF73/74/76/77 (Industrial)

| PIC16LF73/74/76/77 (Industrial) | | Standard Operating Conditions (unless otherwise stated) Operating temperature $-40^{\circ}\text{C} \leq T_A \leq +85^{\circ}\text{C}$ for industrial | | | | | |
|---|------|--|-------|------|------|-------|--|
| PIC16F73/74/76/77 (Industrial, Extended) | | Standard Operating Conditions (unless otherwise stated) Operating temperature $-40^{\circ}\text{C} \leq T_A \leq +85^{\circ}\text{C}$ for industrial $-40^{\circ}\text{C} \leq T_A \leq +125^{\circ}\text{C}$ for extended | | | | | |
| Param No. | Sym | Characteristic | Min | Typ† | Max | Units | Conditions |
| D001 | VDD | Supply Voltage | | | | | |
| | | PIC16LF7X | 2.5 | — | 5.5 | V | A/D in use, -40°C to $+85^{\circ}\text{C}$ |
| | | | 2.2 | — | 5.5 | V | A/D in use, 0°C to $+85^{\circ}\text{C}$ |
| | | | 2.0 | — | 5.5 | V | A/D not used, -40°C to $+85^{\circ}\text{C}$ |
| D001 D001A | | PIC16F7X | 4.0 | - | 5.5 | V | All configurations |
| | | | VBOR* | - | 5.5 | V | BOR enabled (Note 7) |
| D002* | VDR | RAM Data Retention Voltage (Note 1) | - | 1.5 | - | V | |
| D003 | VPOR | VDD Start Voltage to ensure internal Power-on Reset signal | - | VSS | - | V | See section on Power-on Reset for details |
| D004* | SVDD | VDD Rise Rate to ensure internal Power-on Reset signal | 0.05 | - | - | V/ms | See section on Power-on Reset for details |
| D005 | VBOR | Brown-out Reset Voltage | 3.65 | 4.0 | 4.35 | V | BODEN bit in configuration word enabled |

Legend: Shading of rows is to assist in readability of the table.

* These parameters are characterized but not tested.

† Data in "Typ" column is at 5V, 25°C unless otherwise stated. These parameters are for design guidance only and are not tested.

Note 1: This is the limit to which VDD can be lowered without losing RAM data.

2: The supply current is mainly a function of the operating voltage and frequency. Other factors, such as I/O pin loading and switching rate, oscillator type, internal code execution pattern and temperature also have an impact on the current consumption.

The test conditions for all IDD measurements in active operation mode are:

OSC1 = external square wave, from-rail to-rail; all I/O pins tri-stated, pulled to VDD

MCLR = VDD; WDT enabled/disabled as specified.

3: The power-down current in SLEEP mode does not depend on the oscillator type. Power-down current is measured with the part in SLEEP mode, with all I/O pins in hi-impedance state and tied to VDD and VSS.

4: For RC osc configuration, current through REXT is not included. The current through the resistor can be estimated by the formula $I_r = V_{DD}/2R_{EXT}$ (mA) with REXT in kOhm.

5: Timer1 oscillator (when enabled) adds approximately 20 μA to the specification. This value is from characterization and is for design guidance only. This is not tested.

6: The Δ current is the additional current consumed when this peripheral is enabled. This current should be added to the base IDD or IPD measurement.

7: When BOR is enabled, the device will operate correctly until the VBOR voltage trip point is reached.

PIC16F7X

15.1 DC Characteristics: PIC16F73/74/76/77 (Industrial, Extended) PIC16LF73/74/76/77 (Industrial) (Continued)

| PIC16LF73/74/76/77 (Industrial) | | Standard Operating Conditions (unless otherwise stated) Operating temperature $-40^{\circ}\text{C} \leq T_A \leq +85^{\circ}\text{C}$ for industrial | | | | | |
|---|-------|--|-----|------|-----|-------|---|
| PIC16F73/74/76/77 (Industrial, Extended) | | Standard Operating Conditions (unless otherwise stated) Operating temperature $-40^{\circ}\text{C} \leq T_A \leq +85^{\circ}\text{C}$ for industrial $-40^{\circ}\text{C} \leq T_A \leq +125^{\circ}\text{C}$ for extended | | | | | |
| Param No. | Sym | Characteristic | Min | Typ† | Max | Units | Conditions |
| | | Supply Current (Notes 2, 5) | | | | | |
| D010 | IDD | PIC16LF7X | — | 0.4 | 2.0 | mA | XT, RC osc configuration FOSC = 4 MHz, VDD = 3.0V (Note 4) |
| D010A | | | — | 20 | 48 | μA | LP osc configuration FOSC = 32 kHz, VDD = 3.0V, WDT disabled |
| D010 | | PIC16F7X | - | 0.9 | 4 | mA | XT, RC osc configuration FOSC = 4 MHz, VDD = 5.5V (Note 4) |
| D013 | | | — | 5.2 | 15 | mA | HS osc configuration FOSC = 20 MHz, VDD = 5.5V |
| D015* | ΔIBOR | Brown-out Reset Current (Note 6) | — | 25 | 200 | μA | BOR enabled, VDD = 5.0V |
| | | Power-down Current (Notes 3, 5) | | | | | |
| D020 | IPD | PIC16LF7X | — | 2.0 | 30 | μA | VDD = 3.0V, WDT enabled, -40°C to $+85^{\circ}\text{C}$ |
| D021 | | | — | 0.1 | 5 | μA | VDD = 3.0V, WDT disabled, -40°C to $+85^{\circ}\text{C}$ |
| D020 | | PIC16F7X | — | 5.0 | 42 | μA | VDD = 4.0V, WDT enabled, -40°C to $+85^{\circ}\text{C}$ |
| D021 | | | — | 0.1 | 19 | μA | VDD = 4.0V, WDT disabled, -40°C to $+85^{\circ}\text{C}$ |
| D021A | | | — | 10.5 | 57 | μA | VDD = 4.0V, WDT enabled, -40°C to $+125^{\circ}\text{C}$ |
| | | | — | 1.5 | 42 | μA | VDD = 4.0V, WDT disabled, -40°C to $+125^{\circ}\text{C}$ |
| D023* | ΔIBOR | Brown-out Reset Current (Note 6) | — | 25 | 200 | μA | BOR enabled, VDD = 5.0V |

Legend: Shading of rows is to assist in readability of of the table.

* These parameters are characterized but not tested.

† Data in "Typ" column is at 5V, 25°C unless otherwise stated. These parameters are for design guidance only and are not tested.

Note 1: This is the limit to which VDD can be lowered without losing RAM data.

2: The supply current is mainly a function of the operating voltage and frequency. Other factors, such as I/O pin loading and switching rate, oscillator type, internal code execution pattern and temperature also have an impact on the current consumption.

The test conditions for all IDD measurements in active operation mode are:

OSC1 = external square wave, from-rail to-rail; all I/O pins tri-stated, pulled to VDD

MCLR = VDD; WDT enabled/disabled as specified.

3: The power-down current in SLEEP mode does not depend on the oscillator type. Power-down current is measured with the part in SLEEP mode, with all I/O pins in hi-impedance state and tied to VDD and VSS.

4: For RC osc configuration, current through REXT is not included. The current through the resistor can be estimated by the formula $I_r = V_{DD}/2R_{EXT}$ (mA) with REXT in kOhm.

5: Timer1 oscillator (when enabled) adds approximately 20 μA to the specification. This value is from characterization and is for design guidance only. This is not tested.

6: The Δ current is the additional current consumed when this peripheral is enabled. This current should be added to the base IDD or IPD measurement.

7: When BOR is enabled, the device will operate correctly until the VBOR voltage trip point is reached.

15.2 DC Characteristics: PIC16F73/74/76/77 (Industrial, Extended) PIC16LF73/74/76/77 (Industrial)

| DC CHARACTERISTICS | | Standard Operating Conditions (unless otherwise stated) Operating temperature $-40^{\circ}\text{C} \leq T_A \leq +85^{\circ}\text{C}$ for industrial $-40^{\circ}\text{C} \leq T_A \leq +125^{\circ}\text{C}$ for extended Operating voltage V_{DD} range as described in DC Specification, Section 15.1. | | | | | |
|--------------------|-------|--|---------------------|------|--------------|---------------|---|
| Param No. | Sym | Characteristic | Min | Typ† | Max | Units | Conditions |
| | VIL | Input Low Voltage | | | | | |
| D030 | | I/O ports: with TTL buffer | V_{SS} | — | $0.15V_{DD}$ | V | For entire V_{DD} range |
| D030A | | | V_{SS} | — | 0.8V | V | $4.5V \leq V_{DD} \leq 5.5V$ |
| D031 | | with Schmitt Trigger buffer | V_{SS} | — | $0.2V_{DD}$ | V | |
| D032 | | $\overline{\text{MCLR}}$, OSC1 (in RC mode) | V_{SS} | — | $0.2V_{DD}$ | V | (Note 1) |
| D033 | | OSC1 (in XT and LP mode) | V_{SS} | — | 0.3V | V | |
| | | OSC1 (in HS mode) | V_{SS} | — | $0.3V_{DD}$ | V | |
| | VIH | Input High Voltage | | | | | |
| D040 | | I/O ports: with TTL buffer | 2.0 | — | V_{DD} | V | $4.5V \leq V_{DD} \leq 5.5V$ |
| D040A | | | $0.25V_{DD} + 0.8V$ | — | V_{DD} | V | For entire V_{DD} range |
| D041 | | with Schmitt Trigger buffer | $0.8V_{DD}$ | — | V_{DD} | V | For entire V_{DD} range |
| D042 | | $\overline{\text{MCLR}}$ | $0.8V_{DD}$ | — | V_{DD} | V | |
| D042A | | OSC1 (in XT and LP mode) | 1.6V | — | V_{DD} | V | |
| | | OSC1 (in HS mode) | $0.7V_{DD}$ | — | V_{DD} | V | |
| D043 | | OSC1 (in RC mode) | $0.9V_{DD}$ | — | V_{DD} | V | (Note 1) |
| D070 | IPURB | PORTB Weak Pull-up Current | 50 | 250 | 400 | μA | $V_{DD} = 5V, V_{PIN} = V_{SS}$ |
| | IIL | Input Leakage Current (Notes 2, 3) | | | | | |
| D060 | | I/O ports | — | — | ± 1 | μA | $V_{SS} \leq V_{PIN} \leq V_{DD}$, pin at hi-impedance |
| D061 | | $\overline{\text{MCLR}}$, RA4/T0CKI | — | — | ± 5 | μA | $V_{SS} \leq V_{PIN} \leq V_{DD}$ |
| D063 | | OSC1 | — | — | ± 5 | μA | $V_{SS} \leq V_{PIN} \leq V_{DD}$, XT, HS and LP osc configuration |

* These parameters are characterized but not tested.

† Data in "Typ" column is at 5V, 25°C unless otherwise stated. These parameters are for design guidance only and are not tested.

- Note 1:** In RC oscillator configuration, the OSC1/CLKIN pin is a Schmitt Trigger input. It is not recommended that the PIC16F7X be driven with external clock in RC mode.
- 2:** The leakage current on the $\overline{\text{MCLR}}$ pin is strongly dependent on the applied voltage level. The specified levels represent normal operating conditions. Higher leakage current may be measured at different input voltages.
- 3:** Negative current is defined as current sourced by the pin.

PIC16F7X

15.2 DC Characteristics: PIC16F73/74/76/77 (Industrial, Extended) PIC16LF73/74/76/77 (Industrial) (Continued)

| DC CHARACTERISTICS | | Standard Operating Conditions (unless otherwise stated) Operating temperature $-40^{\circ}\text{C} \leq T_A \leq +85^{\circ}\text{C}$ for industrial $-40^{\circ}\text{C} \leq T_A \leq +125^{\circ}\text{C}$ for extended Operating voltage V_{DD} range as described in DC Specification, Section 15.1. | | | | | |
|--------------------|-------|--|----------------|------|-----|-------|---|
| Param No. | Sym | Characteristic | Min | Typ† | Max | Units | Conditions |
| | | Output Low Voltage | | | | | |
| D080 | VOL | I/O ports | — | — | 0.6 | V | $I_{OL} = 8.5\text{ mA}$, $V_{DD} = 4.5\text{V}$, -40°C to $+125^{\circ}\text{C}$ |
| D083 | | OSC2/CLKOUT (RC osc config) | — | — | 0.6 | V | $I_{OL} = 1.6\text{ mA}$, $V_{DD} = 4.5\text{V}$, -40°C to $+125^{\circ}\text{C}$ |
| | | | — | — | 0.6 | V | $I_{OL} = 1.2\text{ mA}$, $V_{DD} = 4.5\text{V}$, -40°C to $+125^{\circ}\text{C}$ |
| | | Output High Voltage | | | | | |
| D090 | VOH | I/O ports (Note 3) | $V_{DD} - 0.7$ | — | — | V | $I_{OH} = -3.0\text{ mA}$, $V_{DD} = 4.5\text{V}$, -40°C to $+125^{\circ}\text{C}$ |
| D092 | | OSC2/CLKOUT (RC osc config) | $V_{DD} - 0.7$ | — | — | V | $I_{OH} = -1.3\text{ mA}$, $V_{DD} = 4.5\text{V}$, -40°C to $+125^{\circ}\text{C}$ |
| | | | $V_{DD} - 0.7$ | — | — | V | $I_{OH} = -1.0\text{ mA}$, $V_{DD} = 4.5\text{V}$, -40°C to $+125^{\circ}\text{C}$ |
| D150* | VOD | Open Drain High Voltage | — | — | 12 | V | RA4 pin |
| | | Capacitive Loading Specs on Output Pins | | | | | |
| D100 | Cosc2 | OSC2 pin | — | — | 15 | pF | In XT, HS and LP modes when external clock is used to drive OSC1 |
| D101 | Cio | All I/O pins and OSC2 (in RC mode) | — | — | 50 | pF | |
| D102 | CB | SCL, SDA in I ² C mode | — | — | 400 | pF | |
| | | Program FLASH Memory | | | | | |
| D130 | EP | Endurance | 100 | 1000 | — | E/W | 25°C at 5V |
| D131 | VPR | V _{DD} for Read | 2.0 | — | 5.5 | V | |

* These parameters are characterized but not tested.

† Data in "Typ" column is at 5V, 25°C unless otherwise stated. These parameters are for design guidance only and are not tested.

- Note 1:** In RC oscillator configuration, the OSC1/CLKIN pin is a Schmitt Trigger input. It is not recommended that the PIC16F7X be driven with external clock in RC mode.
- Note 2:** The leakage current on the MCLR pin is strongly dependent on the applied voltage level. The specified levels represent normal operating conditions. Higher leakage current may be measured at different input voltages.
- Note 3:** Negative current is defined as current sourced by the pin.

15.3 Timing Parameter Symbology

The timing parameter symbols have been created using one of the following formats:

1. TppS2ppS
2. TppS
3. TCC:ST (I²C specifications only)
4. Ts (I²C specifications only)

| | | | |
|----------|-----------|---|------|
| T | | | |
| F | Frequency | T | Time |

Lowercase letters (pp) and their meanings:

| | | | |
|-----------|-------------------|-----|------------------------------------|
| pp | | osc | OSC1 |
| cc | CCP1 | rd | \overline{RD} |
| ck | CLKOUT | rw | \overline{RD} or \overline{WR} |
| cs | \overline{CS} | sc | SCK |
| di | SDI | ss | \overline{SS} |
| do | SDO | t0 | T0CKI |
| dt | Data in | t1 | T1CKI |
| io | I/O port | wr | \overline{WR} |
| mc | \overline{MCLR} | | |

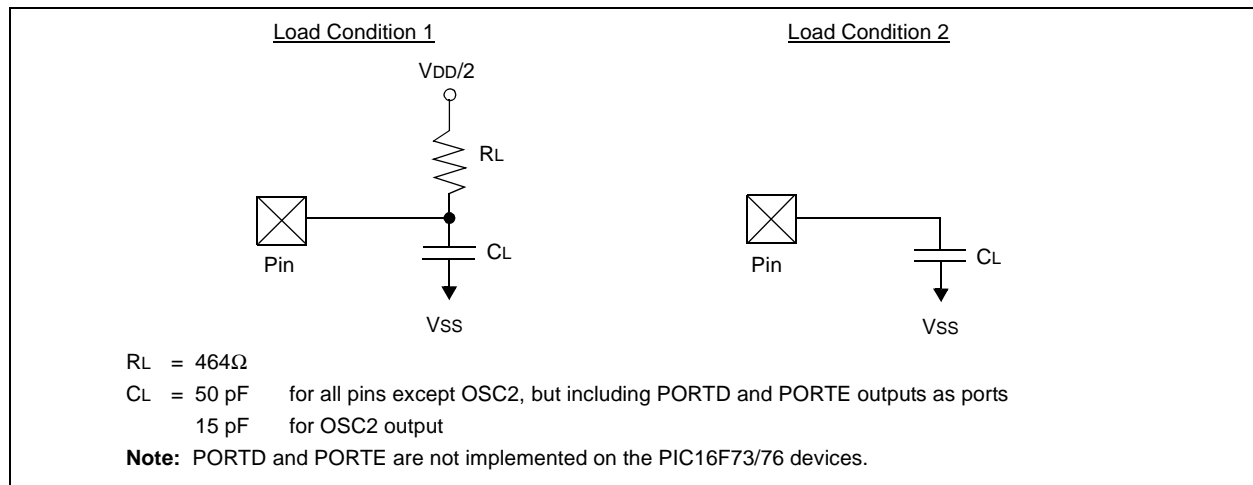
Uppercase letters and their meanings:

| | | | |
|----------------------------|------------------------|------|--------------|
| S | | P | Period |
| F | Fall | R | Rise |
| H | High | V | Valid |
| I | Invalid (Hi-impedance) | Z | Hi-impedance |
| L | Low | | |
| I²C only | | High | High |
| AA | output access | Low | Low |
| BUF | Bus free | | |

TCC:ST (I²C specifications only)

| | | | |
|-----------|-----------------|-----|----------------|
| CC | | SU | Setup |
| HD | Hold | | |
| ST | | STO | STOP condition |
| DAT | DATA input hold | | |
| STA | START condition | | |

FIGURE 15-3: LOAD CONDITIONS



PIC16F7X

FIGURE 15-4: EXTERNAL CLOCK TIMING

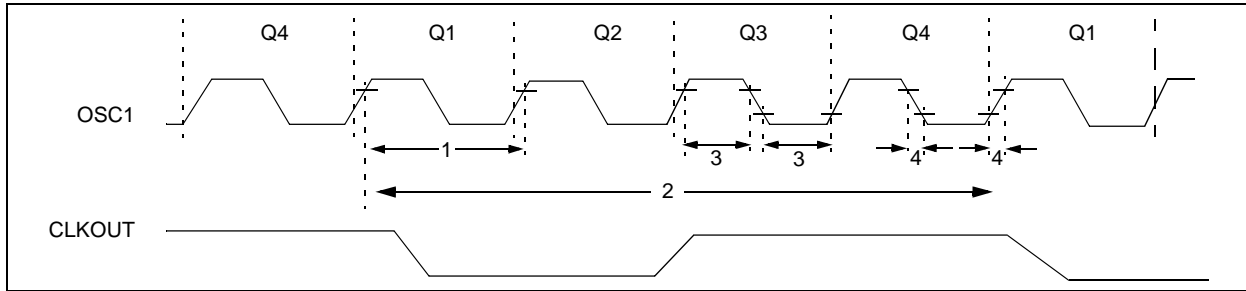


TABLE 15-1: EXTERNAL CLOCK TIMING REQUIREMENTS

| Parameter No. | Symbol | Characteristic | Min | Typ† | Max | Units | Conditions |
|---------------|---------------|---|------|------|-------------|-------------|---------------|
| | FOSC | External CLKIN Frequency (Note 1) | DC | — | 1 | MHz | XT osc mode |
| | | | DC | — | 20 | MHz | HS osc mode |
| | | | DC | — | 32 | kHz | LP osc mode |
| | | Oscillator Frequency (Note 1) | DC | — | 4 | MHz | RC osc mode |
| | | | 0.1 | — | 4 | MHz | XT osc mode |
| 4 | — | | 20 | MHz | HS osc mode | | |
| | | 5 | — | 200 | kHz | LP osc mode | |
| 1 | TOSC | External CLKIN Period (Note 1) | 1000 | — | — | ns | XT osc mode |
| | | | 50 | — | — | ns | HS osc mode |
| | | | 5 | — | — | ms | LP osc mode |
| | | Oscillator Period (Note 1) | 250 | — | — | ns | RC osc mode |
| | | | 250 | — | 10,000 | ns | XT osc mode |
| 50 | — | | 250 | ns | HS osc mode | | |
| | | 5 | — | — | ms | LP osc mode | |
| 2 | TCY | Instruction Cycle Time (Note 1) | 200 | TCY | DC | ns | TCY = 4/FOSC |
| 3 | TosL, TosH | External Clock in (OSC1) High or Low Time | 500 | — | — | ns | XT oscillator |
| | | | 2.5 | — | — | ms | LP oscillator |
| | | | 15 | — | — | ns | HS oscillator |
| 4 | TosR, TosF | External Clock in (OSC1) Rise or Fall Time | — | — | 25 | ns | XT oscillator |
| | | | — | — | 50 | ns | LP oscillator |
| | | | — | — | 15 | ns | HS oscillator |

† Data in "Typ" column is at 5V, 25°C unless otherwise stated. These parameters are for design guidance only and are not tested.

Note 1: Instruction cycle period (TCY) equals four times the input oscillator time-base period. All specified values are based on characterization data for that particular oscillator type under standard operating conditions, with the device executing code. Exceeding these specified limits may result in an unstable oscillator operation and/or higher than expected current consumption. All devices are tested to operate at "min." values with an external clock applied to the OSC1/CLKIN pin. When an external clock input is used, the "max." cycle time limit is "DC" (no clock) for all devices.

FIGURE 15-5: CLKOUT AND I/O TIMING

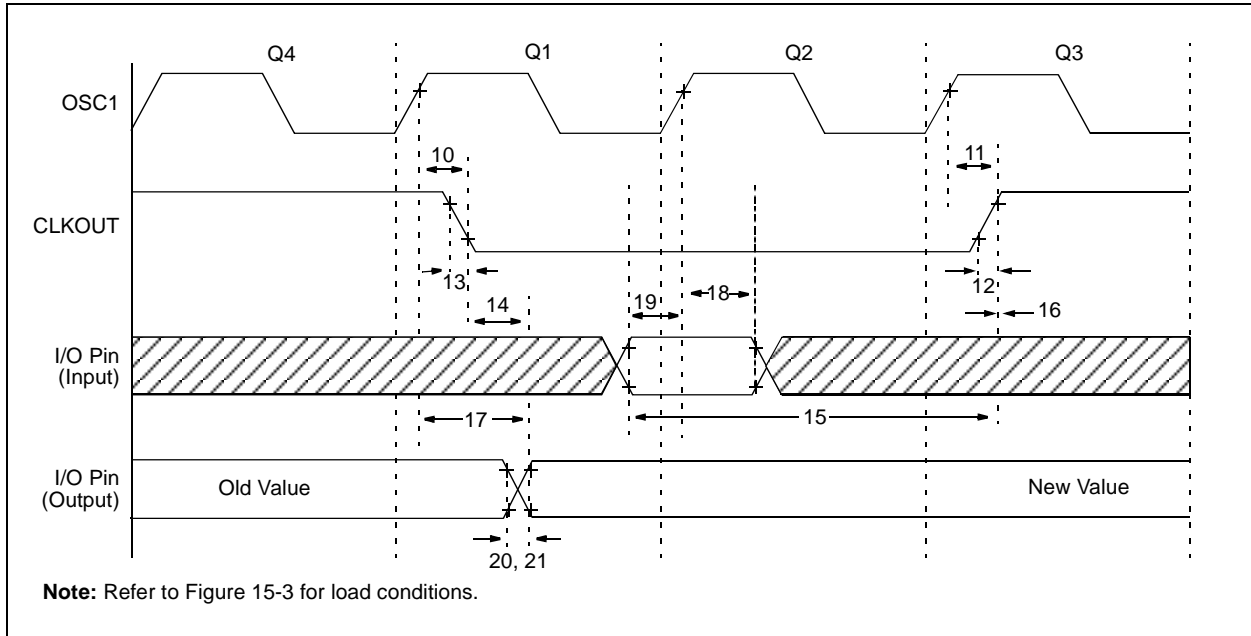


TABLE 15-2: CLKOUT AND I/O TIMING REQUIREMENTS

| Param No. | Symbol | Characteristic | Min | Typ† | Max | Units | Conditions | |
|-----------|----------|---|------------------------|------|-------------------------|-------|------------|--|
| 10* | TosH2ckL | OSC1↑ to CLKOUT↓ | — | 75 | 200 | ns | (Note 1) | |
| 11* | TosH2ckH | OSC1↑ to CLKOUT↑ | — | 75 | 200 | ns | (Note 1) | |
| 12* | TckR | CLKOUT rise time | — | 35 | 100 | ns | (Note 1) | |
| 13* | TckF | CLKOUT fall time | — | 35 | 100 | ns | (Note 1) | |
| 14* | TckL2ioV | CLKOUT↓ to Port out valid | — | — | 0.5T _{CY} + 20 | ns | (Note 1) | |
| 15* | TioV2ckH | Port in valid before CLKOUT↑ | T _{OSC} + 200 | — | — | ns | (Note 1) | |
| 16* | TckH2ioI | Port in hold after CLKOUT↑ | 0 | — | — | ns | (Note 1) | |
| 17* | TosH2ioV | OSC1↑ (Q1 cycle) to Port out valid | — | 100 | 255 | ns | | |
| 18* | TosH2ioI | OSC1↑ (Q2 cycle) to Port input invalid (I/O in hold time) | Standard (F) | 100 | — | — | ns | |
| | | | Extended (LF) | 200 | — | — | ns | |
| 19* | TioV2osH | Port input valid to OSC1↑ (I/O in setup time) | 0 | — | — | ns | | |
| 20* | TioR | Port output rise time | Standard (F) | — | 10 | 40 | ns | |
| | | | Extended (LF) | — | — | 145 | ns | |
| 21* | TioF | Port output fall time | Standard (F) | — | 10 | 40 | ns | |
| | | | Extended (LF) | — | — | 145 | ns | |
| 22††* | Tinp | INT pin high or low time | T _{CY} | — | — | ns | | |
| 23††* | Trbp | RB7:RB4 change INT high or low time | T _{CY} | — | — | ns | | |

* These parameters are characterized but not tested.

† Data in "Typ" column is at 5V, 25°C unless otherwise stated. These parameters are for design guidance only and are not tested.

†† These parameters are asynchronous events, not related to any internal clock edges.

Note 1: Measurements are taken in RC mode, where CLKOUT output is 4 x T_{OSC}.

PIC16F7X

FIGURE 15-6: RESET, WATCHDOG TIMER, OSCILLATOR START-UP TIMER AND POWER-UP TIMER TIMING

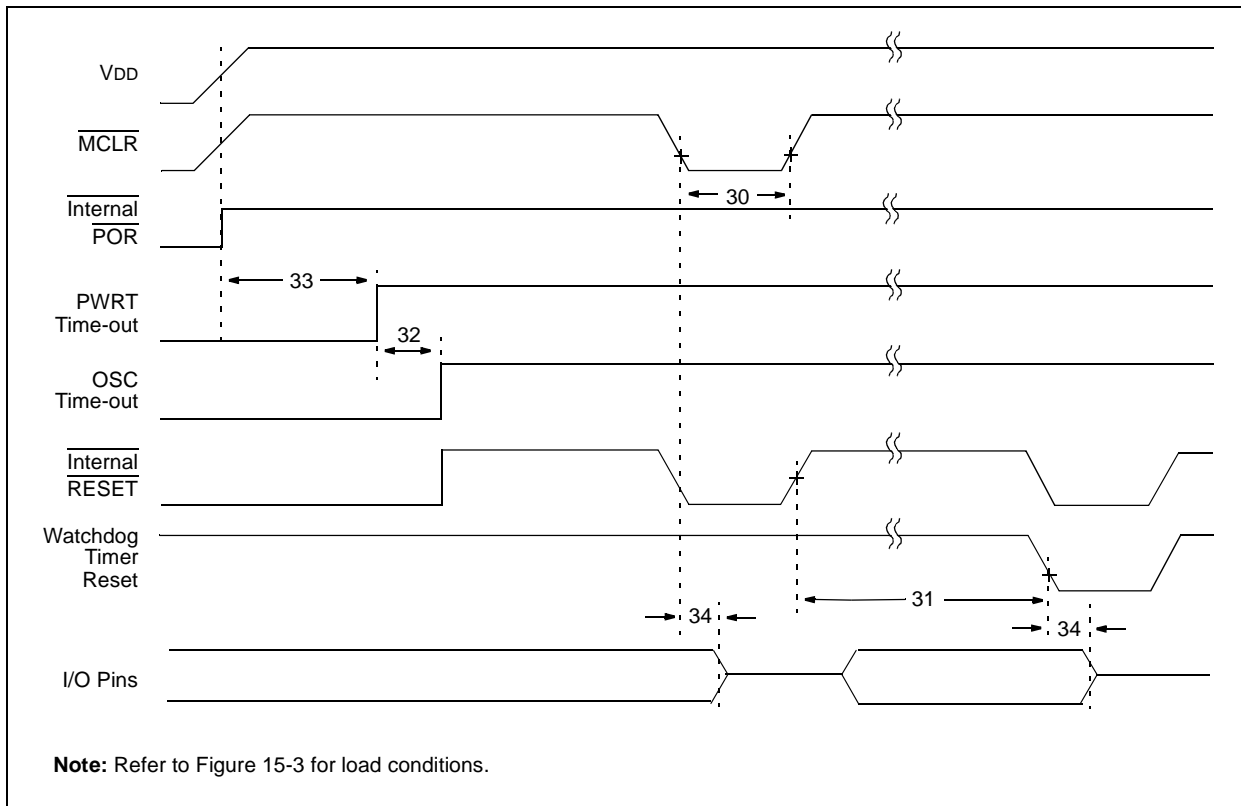


FIGURE 15-7: BROWN-OUT RESET TIMING

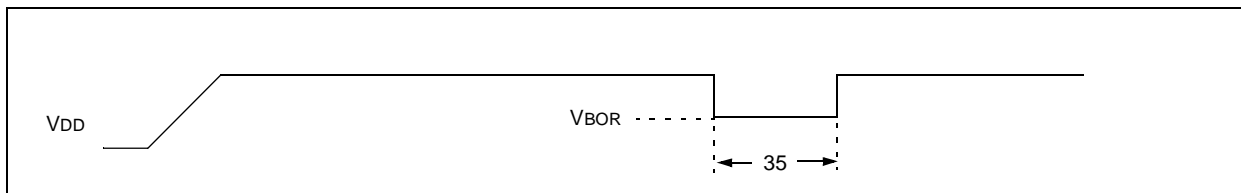


TABLE 15-3: RESET, WATCHDOG TIMER, OSCILLATOR START-UP TIMER, POWER-UP TIMER, AND BROWN-OUT RESET REQUIREMENTS

| Parameter No. | Sym | Characteristic | Min | Typ† | Max | Units | Conditions |
|---------------|-------|--|-----|-----------|-----|-------|--------------------------|
| 30 | TmCL | MCLR Pulse Width (low) | 2 | — | — | μs | VDD = 5V, -40°C to +85°C |
| 31* | TWDT | Watchdog Timer Time-out Period (No Prescaler) | 7 | 18 | 33 | ms | VDD = 5V, -40°C to +85°C |
| 32 | TOST | Oscillation Start-up Timer Period | — | 1024 TOSC | — | — | TOSC = OSC1 period |
| 33* | TPWRT | Power-up Timer Period | 28 | 72 | 132 | ms | VDD = 5V, -40°C to +85°C |
| 34 | TIOZ | I/O Hi-Impedance from MCLR Low or Watchdog Timer Reset | — | — | 2.1 | μs | |
| 35 | TBOR | Brown-out Reset Pulse Width | 100 | — | — | μs | VDD ≤ VBOR (D005) |

* These parameters are characterized but not tested.

† Data in "Typ" column is at 5V, 25°C unless otherwise stated. These parameters are for design guidance only and are not tested.

FIGURE 15-8: TIMER0 AND TIMER1 EXTERNAL CLOCK TIMINGS

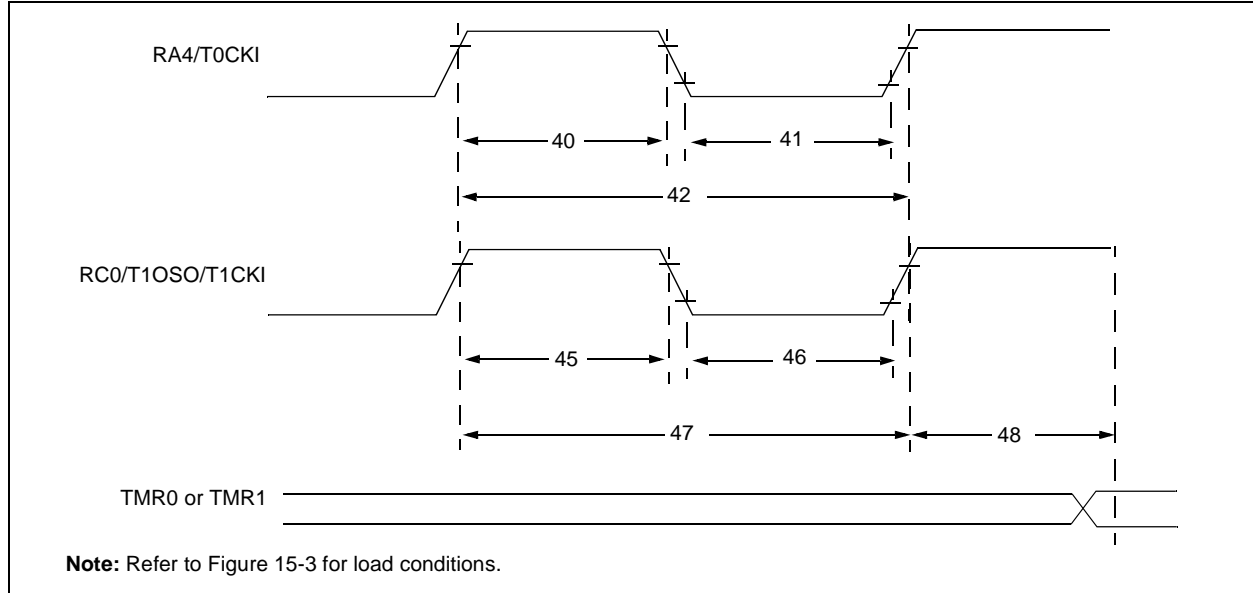


TABLE 15-4: TIMER0 AND TIMER1 EXTERNAL CLOCK REQUIREMENTS

| Param No. | Symbol | Characteristic | | Min | Typ† | Max | Units | Conditions | |
|--------------|-----------|---|--------------------------------|--|--|-------------|-------|-------------------------------------|---------------------------------|
| 40* | Tt0H | T0CKI High Pulse Width | No Prescaler | $0.5T_{CY} + 20$ | — | — | ns | Must also meet parameter 42 | |
| | | | With Prescaler | 10 | — | — | ns | | |
| 41* | Tt0L | T0CKI Low Pulse Width | No Prescaler | $0.5T_{CY} + 20$ | — | — | ns | Must also meet parameter 42 | |
| | | | With Prescaler | 10 | — | — | ns | | |
| 42* | Tt0P | T0CKI Period | No Prescaler | $T_{CY} + 40$ | — | — | ns | N = prescale value (2, 4, ..., 256) | |
| | | | With Prescaler | Greater of: 20 or $\frac{T_{CY} + 40}{N}$ | — | — | ns | | |
| 45* | Tt1H | T1CKI High Time | Synchronous, Prescaler = 1 | $0.5T_{CY} + 20$ | — | — | ns | Must also meet parameter 47 | |
| | | | Synchronous, Prescaler = 2,4,8 | Standard(F) | 15 | — | — | | ns |
| | | | | Extended(LF) | 25 | — | — | | ns |
| | | | Asynchronous | Standard(F) | 30 | — | — | | ns |
| Extended(LF) | 50 | — | | — | ns | | | | |
| 46* | Tt1L | T1CKI Low Time | Synchronous, Prescaler = 1 | $0.5T_{CY} + 20$ | — | — | ns | Must also meet parameter 47 | |
| | | | Synchronous, Prescaler = 2,4,8 | Standard(F) | 15 | — | — | | ns |
| | | | | Extended(LF) | 25 | — | — | | ns |
| | | | Asynchronous | Standard(F) | 30 | — | — | | ns |
| Extended(LF) | 50 | — | | — | ns | | | | |
| 47* | Tt1P | T1CKI Input Period | Synchronous | Standard(F) | Greater of: 30 or $\frac{T_{CY} + 40}{N}$ | — | — | ns | N = prescale value (1, 2, 4, 8) |
| | | | | Extended(LF) | Greater of: 50 or $\frac{T_{CY} + 40}{N}$ | — | — | ns | N = prescale value (1, 2, 4, 8) |
| | | | Asynchronous | Standard(F) | 60 | — | — | ns | |
| | | | | Extended(LF) | 100 | — | — | ns | |
| | Ft1 | Timer1 Oscillator Input Frequency Range (oscillator enabled by setting bit T1OSCEN) | | DC | — | 200 | kHz | | |
| 48 | TCKEZtmr1 | Delay from External Clock Edge to Timer Increment | | $2 T_{osc}$ | — | $7 T_{osc}$ | — | | |

* These parameters are characterized but not tested.

† Data in "Typ" column is at 5V, 25°C unless otherwise stated. These parameters are for design guidance only and are not tested.

PIC16F7X

FIGURE 15-9: CAPTURE/COMPARE/PWM TIMINGS (CCP1 AND CCP2)

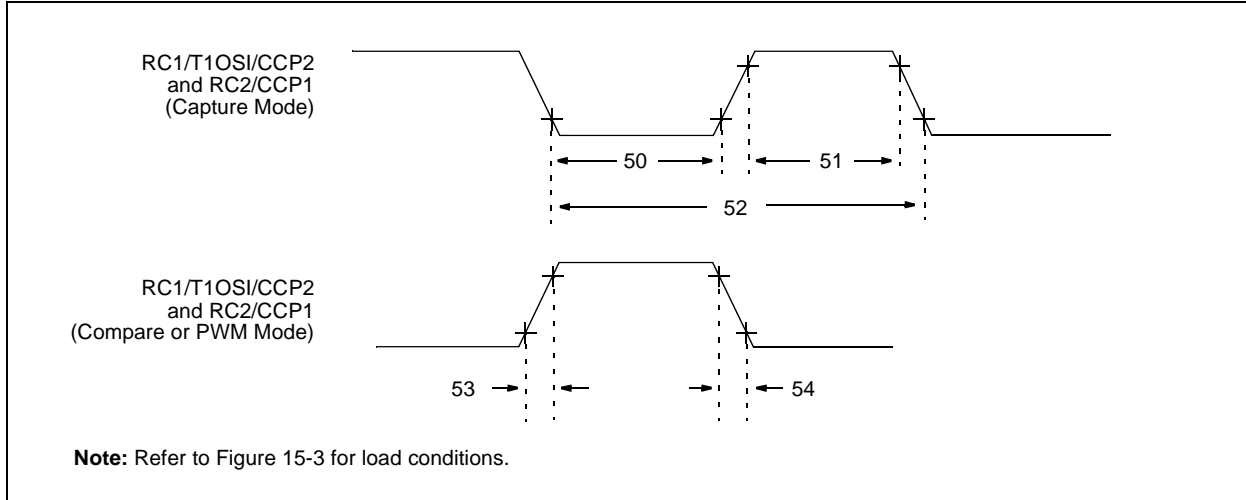


TABLE 15-5: CAPTURE/COMPARE/PWM REQUIREMENTS (CCP1 AND CCP2)

| Param No. | Symbol | Characteristic | | Min | Typ† | Max | Units | Conditions | |
|-----------|--------|--------------------------------|----------------|--------------------------|------|-----|-------|--------------------------------|----|
| 50* | TccL | CCP1 and CCP2 input low time | No Prescaler | $0.5T_{CY} + 20$ | — | — | ns | | |
| | | | With Prescaler | Standard(F) | 10 | — | — | | ns |
| | | | | Extended(LF) | 20 | — | — | | ns |
| 51* | TccH | CCP1 and CCP2 input high time | No Prescaler | $0.5T_{CY} + 20$ | — | — | ns | | |
| | | | With Prescaler | Standard(F) | 10 | — | — | | ns |
| | | | | Extended(LF) | 20 | — | — | | ns |
| 52* | TccP | CCP1 and CCP2 input period | | $\frac{3T_{CY} + 40}{N}$ | — | — | ns | N = prescale value (1,4 or 16) | |
| 53* | TccR | CCP1 and CCP2 output rise time | Standard(F) | — | 10 | 25 | ns | | |
| | | | Extended(LF) | — | 25 | 50 | ns | | |
| 54* | TccF | CCP1 and CCP2 output fall time | Standard(F) | — | 10 | 25 | ns | | |
| | | | Extended(LF) | — | 25 | 45 | ns | | |

* These parameters are characterized but not tested.

† Data in "Typ" column is at 5V, 25°C unless otherwise stated. These parameters are for design guidance only and are not tested.

FIGURE 15-10: PARALLEL SLAVE PORT TIMING (PIC16F74/77 DEVICES ONLY)

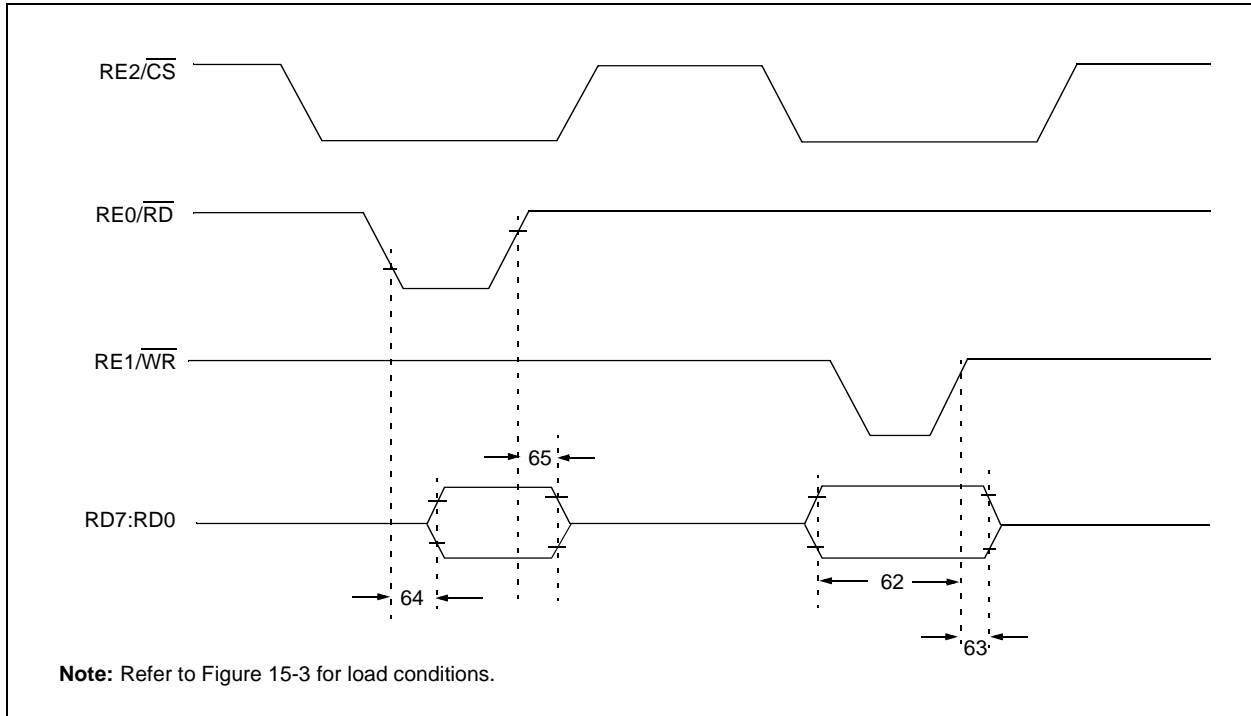


TABLE 15-6: PARALLEL SLAVE PORT REQUIREMENTS (PIC16F74/77 DEVICES ONLY)

| Parameter No. | Symbol | Characteristic | Min | Typ† | Max | Units | Conditions | |
|---------------|----------|--|--------------|------|-----|-------|---------------------|--|
| 62 | TdtV2wrH | Data in valid before $\overline{WR}\uparrow$ or $\overline{CS}\uparrow$ (setup time) | 20 | — | — | ns | Extended range only | |
| | | | 25 | — | — | ns | | |
| 63* | TwrH2dtl | $\overline{WR}\uparrow$ or $\overline{CS}\uparrow$ to data in invalid (hold time) | Standard(F) | 20 | — | — | ns | |
| | | | Extended(LF) | 35 | — | — | ns | |
| 64 | TrdL2dtV | $\overline{RD}\downarrow$ and $\overline{CS}\downarrow$ to data out valid | — | — | 80 | ns | Extended range only | |
| | | | — | — | 90 | ns | | |
| 65 | TrdH2dtl | $\overline{RD}\uparrow$ or $\overline{CS}\downarrow$ to data out invalid | 10 | — | 30 | ns | | |

* These parameters are characterized but not tested.

† Data in "Typ" column is at 5V, 25°C unless otherwise stated. These parameters are for design guidance only and are not tested.

PIC16F7X

FIGURE 15-11: SPI MASTER MODE TIMING (CKE = 0, SMP = 0)

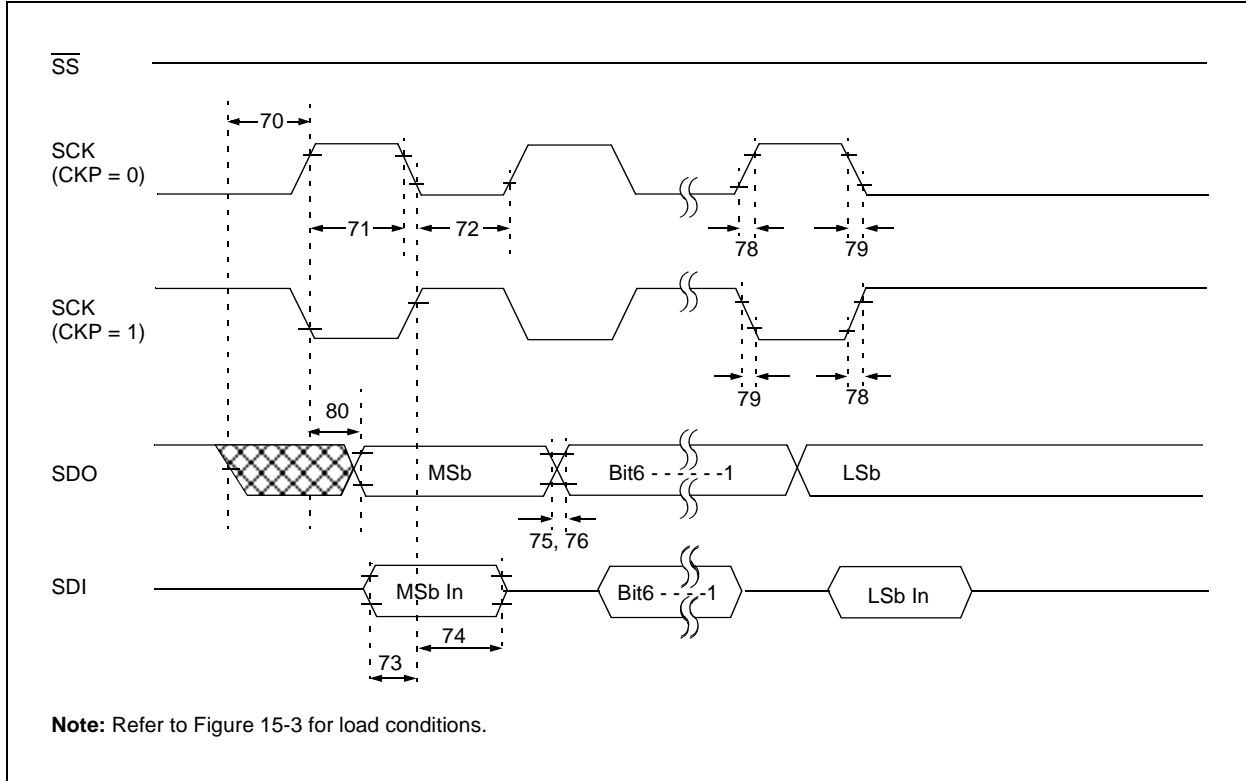


FIGURE 15-12: SPI MASTER MODE TIMING (CKE = 1, SMP = 1)

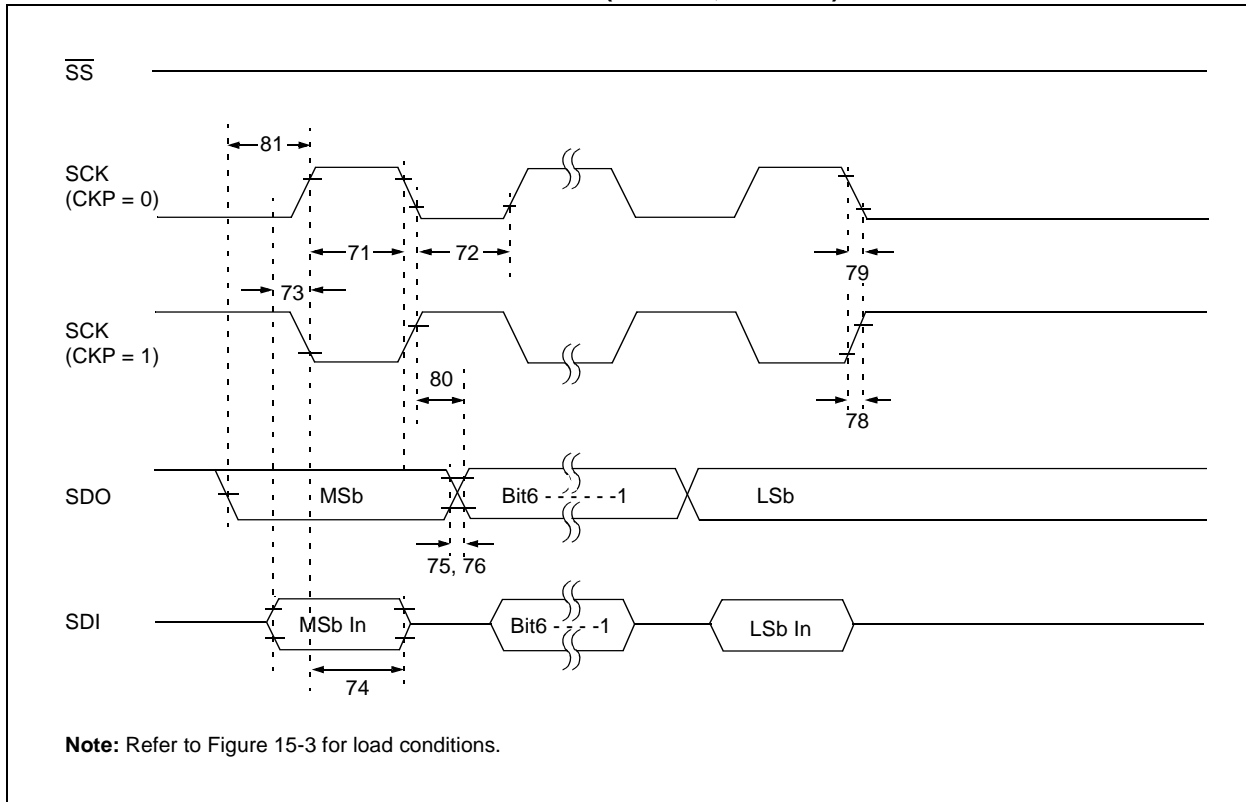


FIGURE 15-13: SPI SLAVE MODE TIMING (CKE = 0)

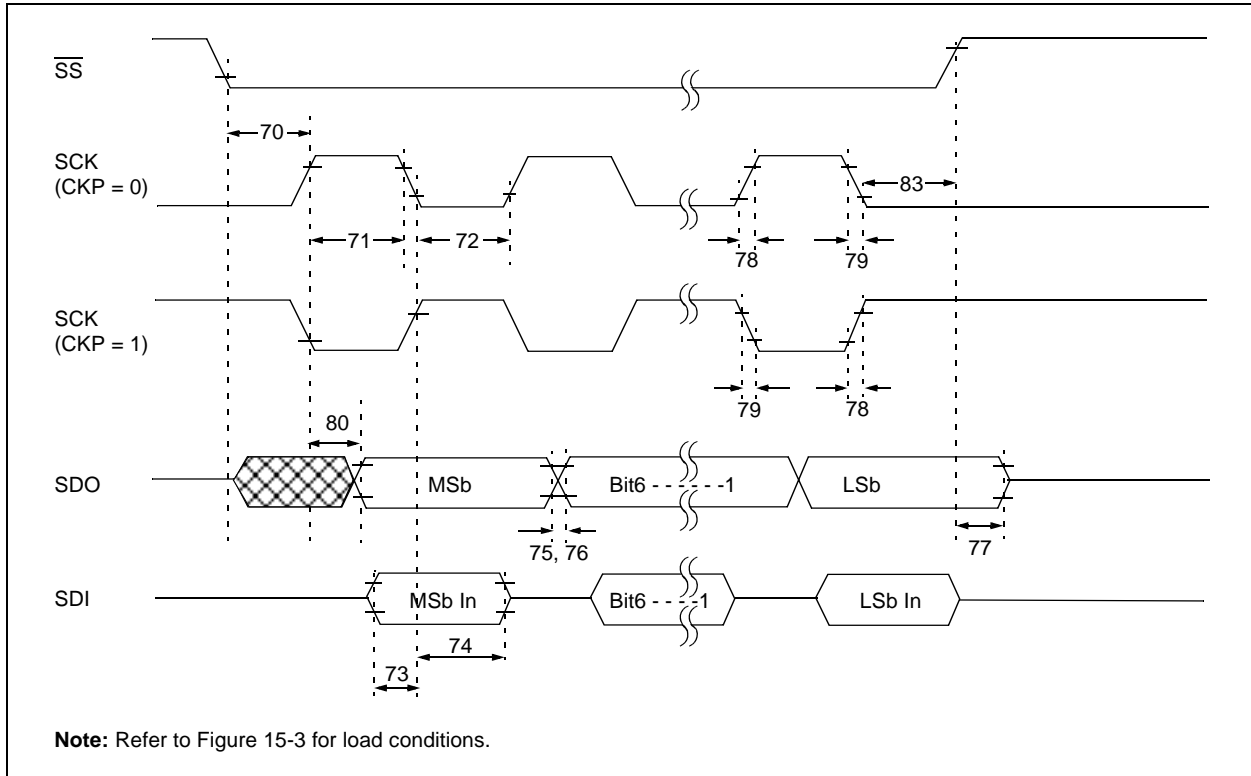
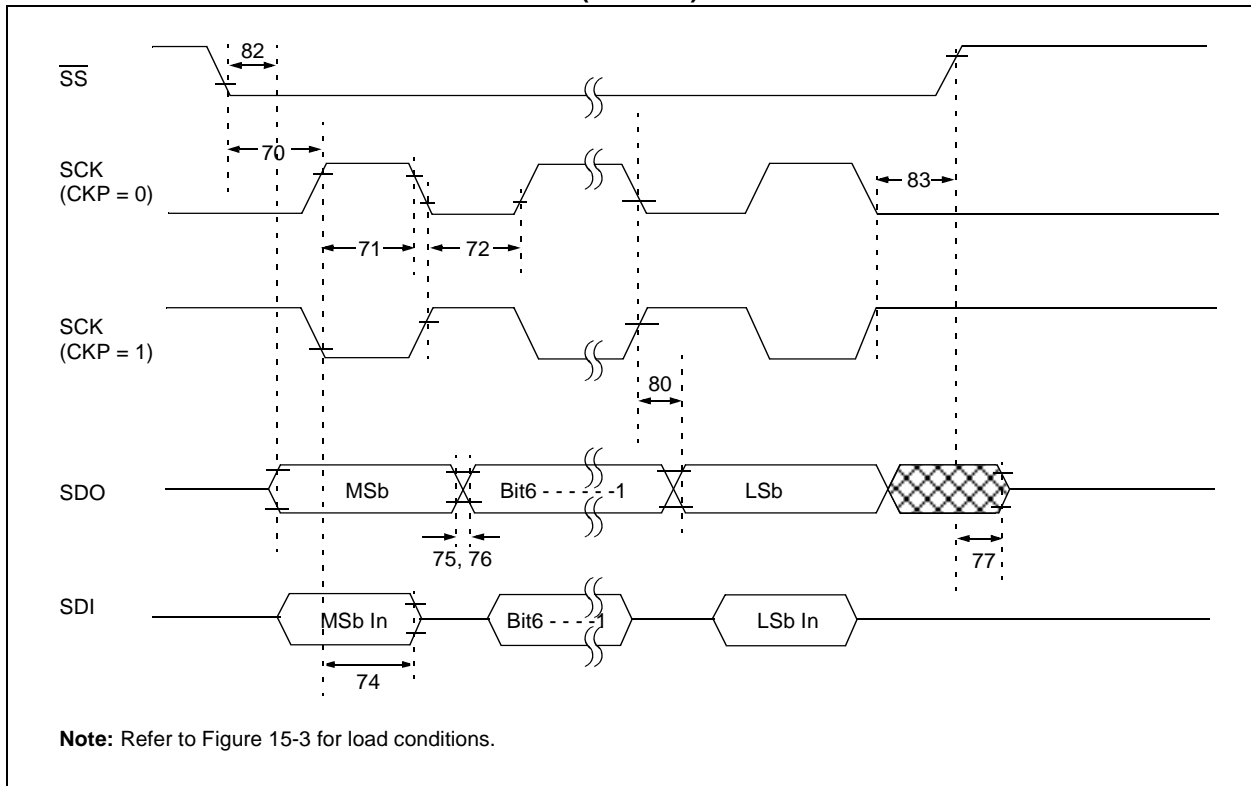


FIGURE 15-14: SPI SLAVE MODE TIMING (CKE = 1)



PIC16F7X

TABLE 15-7: SPI MODE REQUIREMENTS

| Param No. | Symbol | Characteristic | Min | Typ† | Max | Units | Conditions |
|-----------|-----------------------|---|-----------------------------|----------|-----------|----------|------------|
| 70* | TssL2scH, TssL2scL | $\overline{SS}\downarrow$ to SCK \downarrow or SCK \uparrow input | Tcy | — | — | ns | |
| 71* | TscH | SCK input high time (Slave mode) | Tcy + 20 | — | — | ns | |
| 72* | TscL | SCK input low time (Slave mode) | Tcy + 20 | — | — | ns | |
| 73* | TdiV2scH, TdiV2scL | Setup time of SDI data input to SCK edge | 100 | — | — | ns | |
| 74* | Tsch2diL, TscL2diL | Hold time of SDI data input to SCK edge | 100 | — | — | ns | |
| 75* | TdoR | SDO data output rise time | Standard(F) Extended(LF) | 10 25 | 25 50 | ns ns | |
| 76* | TdoF | SDO data output fall time | — | 10 | 25 | ns | |
| 77* | TssH2doZ | $\overline{SS}\uparrow$ to SDO output hi-impedance | 10 | — | 50 | ns | |
| 78* | TscR | SCK output rise time (Master mode) | Standard(F) Extended(LF) | 10 25 | 25 50 | ns ns | |
| 79* | TscF | SCK output fall time (Master mode) | — | 10 | 25 | ns | |
| 80* | Tsch2doV, TscL2doV | SDO data output valid after SCK edge | Standard(F) Extended(LF) | — — | 50 145 | ns ns | |
| 81* | TdoV2scH, TdoV2scL | SDO data output setup to SCK edge | Tcy | — | — | ns | |
| 82* | TssL2doV | SDO data output valid after $\overline{SS}\downarrow$ edge | — | — | 50 | ns | |
| 83* | Tsch2ssH, TscL2ssH | $\overline{SS}\uparrow$ after SCK edge | 1.5Tcy + 40 | — | — | ns | |

* These parameters are characterized but not tested.

† Data in "Typ" column is at 5V, 25°C unless otherwise stated. These parameters are for design guidance only and are not tested.

FIGURE 15-15: I²C BUS START/STOP BITS TIMING

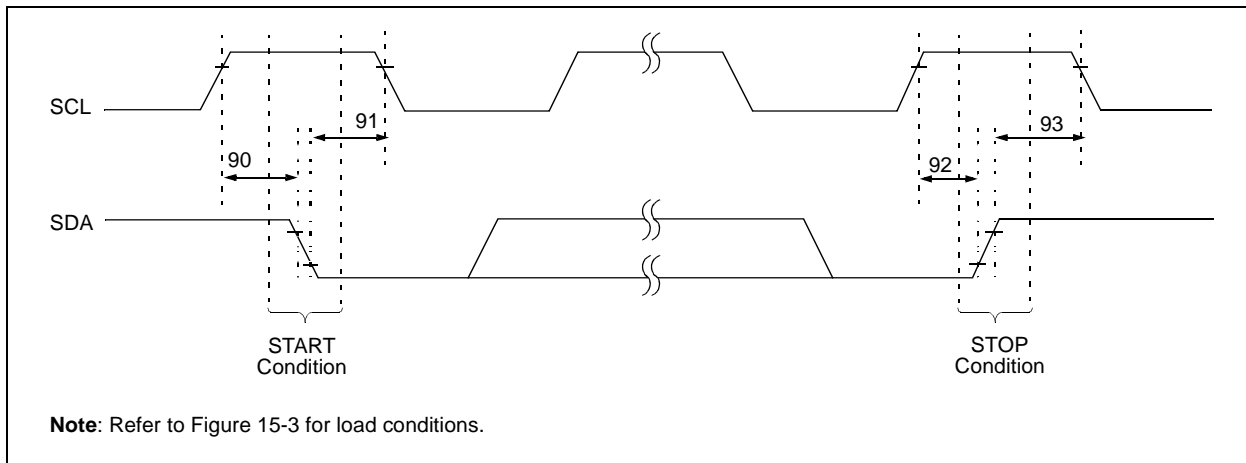
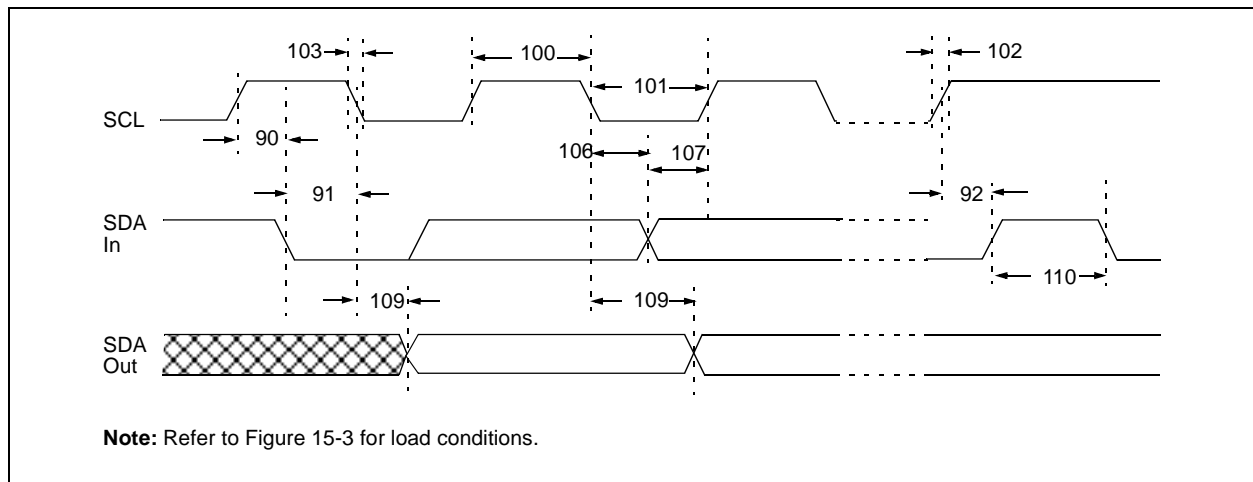


TABLE 15-8: I²C BUS START/STOP BITS REQUIREMENTS

| Param No. | Symbol | Characteristic | | Min | Typ | Max | Units | Conditions |
|-----------|---------|----------------------------|--------------|------|-----|-----|-------|---|
| 90* | TSU:STA | START condition Setup time | 100 kHz mode | 4700 | — | — | ns | Only relevant for Repeated START condition |
| | | | 400 kHz mode | 600 | — | — | | |
| 91* | THD:STA | START condition Hold time | 100 kHz mode | 4000 | — | — | ns | After this period, the first clock pulse is generated |
| | | | 400 kHz mode | 600 | — | — | | |
| 92* | TSU:STO | STOP condition Setup time | 100 kHz mode | 4700 | — | — | ns | |
| | | | 400 kHz mode | 600 | — | — | | |
| 93 | THD:STO | STOP condition Hold time | 100 kHz mode | 4000 | — | — | ns | |
| | | | 400 kHz mode | 600 | — | — | | |

* These parameters are characterized but not tested.

FIGURE 15-16: I²C BUS DATA TIMING



PIC16F7X

TABLE 15-9: I²C BUS DATA REQUIREMENTS

| Param. No. | Symbol | Characteristic | | Min | Max | Units | Conditions |
|------------|----------------|----------------------------|--------------|------------------------|------|-------|---|
| 100* | THIGH | Clock high time | 100 kHz mode | 4.0 | — | μs | Device must operate at a minimum of 1.5 MHz |
| | | | 400 kHz mode | 0.6 | — | μs | Device must operate at a minimum of 10 MHz |
| | | | SSP Module | 1.5T _{CY} | — | | |
| 101* | TLOW | Clock low time | 100 kHz mode | 4.7 | — | μs | Device must operate at a minimum of 1.5 MHz |
| | | | 400 kHz mode | 1.3 | — | μs | Device must operate at a minimum of 10 MHz |
| | | | SSP Module | 1.5T _{CY} | — | | |
| 102* | TR | SDA and SCL rise time | 100 kHz mode | — | 1000 | ns | |
| | | | 400 kHz mode | 20 + 0.1C _B | 300 | ns | C _B is specified to be from 10 - 400 pF |
| 103* | TF | SDA and SCL fall time | 100 kHz mode | — | 300 | ns | |
| | | | 400 kHz mode | 20 + 0.1C _B | 300 | ns | C _B is specified to be from 10 - 400 pF |
| 90* | TSU:STA | START condition setup time | 100 kHz mode | 4.7 | — | μs | Only relevant for Repeated START condition |
| | | | 400 kHz mode | 0.6 | — | μs | |
| 91* | THD:STA | START condition hold time | 100 kHz mode | 4.0 | — | μs | After this period the first clock pulse is generated |
| | | | 400 kHz mode | 0.6 | — | μs | |
| 106* | THD:DAT | Data input hold time | 100 kHz mode | 0 | — | ns | |
| | | | 400 kHz mode | 0 | 0.9 | μs | |
| 107* | TSU:DAT | Data input setup time | 100 kHz mode | 250 | — | ns | (Note 2) |
| | | | 400 kHz mode | 100 | — | ns | |
| 92* | TSU:STO | STOP condition setup time | 100 kHz mode | 4.7 | — | μs | |
| | | | 400 kHz mode | 0.6 | — | μs | |
| 109* | TAA | Output valid from clock | 100 kHz mode | — | 3500 | ns | (Note 1) |
| | | | 400 kHz mode | — | — | ns | |
| 110* | TBUF | Bus free time | 100 kHz mode | 4.7 | — | μs | Time the bus must be free before a new transmission can start |
| | | | 400 kHz mode | 1.3 | — | μs | |
| | C _B | Bus capacitive loading | | — | 400 | pF | |

* These parameters are characterized but not tested.

- Note 1:** As a transmitter, the device must provide this internal minimum delay time to bridge the undefined region (min. 300 ns) of the falling edge of SCL to avoid unintended generation of START or STOP conditions.
- Note 2:** A Fast mode (400 kHz) I²C bus device can be used in a Standard mode (100 kHz) I²C bus system, but the requirement TSU:DAT ≥ 250 ns must then be met. This will automatically be the case if the device does not stretch the LOW period of the SCL signal. If such a device does stretch the LOW period of the SCL signal, it must output the next data bit to the SDA line TR max. + TSU:DAT = 1000 + 250 = 1250 ns (according to the Standard mode I²C bus specification), before the SCL line is released.

FIGURE 15-17: USART SYNCHRONOUS TRANSMISSION (MASTER/SLAVE) TIMING

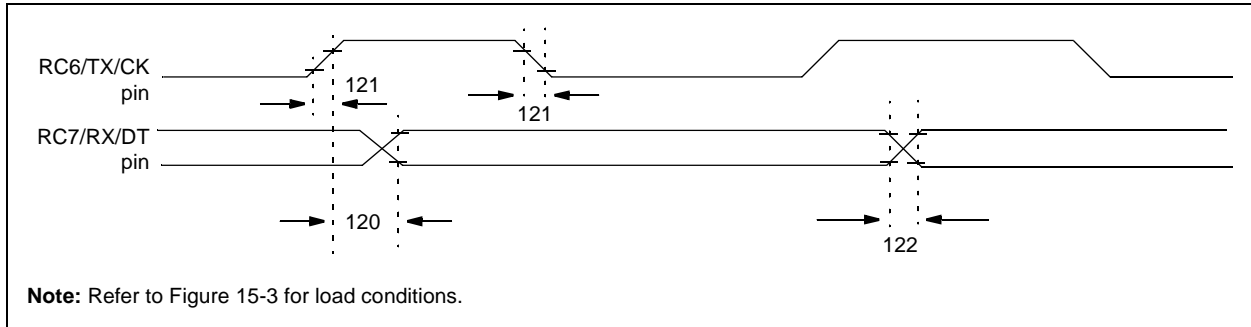


TABLE 15-10: USART SYNCHRONOUS TRANSMISSION REQUIREMENTS

| Param No. | Symbol | Characteristic | Min | Typ† | Max | Units | Conditions |
|-----------|----------|--|--------------|------|-----|-------|------------|
| 120 | TckH2dtV | SYNC XMIT (MASTER & SLAVE) Clock high to data out valid | Standard(F) | — | — | 80 | ns |
| | | | Extended(LF) | — | — | 100 | ns |
| 121 | Tckrf | Clock out rise time and fall time (Master mode) | Standard(F) | — | — | 45 | ns |
| | | | Extended(LF) | — | — | 50 | ns |
| 122 | Tdtrf | Data out rise time and fall time | Standard(F) | — | — | 45 | ns |
| | | | Extended(LF) | — | — | 50 | ns |

† Data in "Typ" column is at 5V, 25°C unless otherwise stated. These parameters are for design guidance only and are not tested.

FIGURE 15-18: USART SYNCHRONOUS RECEIVE (MASTER/SLAVE) TIMING

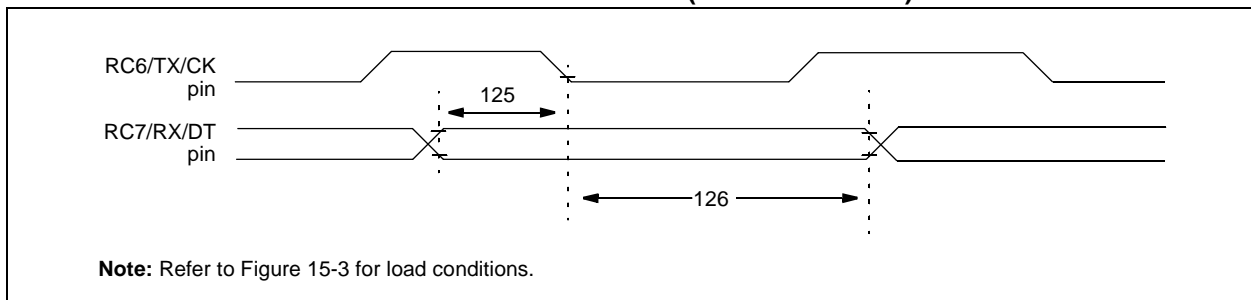


TABLE 15-11: USART SYNCHRONOUS RECEIVE REQUIREMENTS

| Parameter No. | Symbol | Characteristic | Min | Typ† | Max | Units | Conditions |
|---------------|----------|--|-----|------|-----|-------|------------|
| 125 | TdtV2ckL | SYNC RCV (MASTER & SLAVE) Data setup before CK↓ (DT setup time) | 15 | — | — | ns | |
| 126 | TckL2dtl | Data hold after CK↓ (DT hold time) | 15 | — | — | ns | |

† Data in "Typ" column is at 5V, 25°C unless otherwise stated. These parameters are for design guidance only and are not tested.

PIC16F7X

**TABLE 15-12: A/D CONVERTER CHARACTERISTICS: PIC16F7X (INDUSTRIAL, EXTENDED)
PIC16LF7X (INDUSTRIAL)**

| Param No. | Sym | Characteristic | Min | Typ† | Max | Units | Conditions | |
|-----------|------|--|-----------|------------|------------|--------|--|---|
| A01 | NR | Resolution | PIC16F7X | — | — | 8 bits | bit | VREF = VDD = 5.12V, VSS ≤ VAIN ≤ VREF |
| | | | PIC16LF7X | — | — | 8 bits | bit | VREF = VDD = 2.2V |
| A02 | EABS | Total absolute error | — | — | < ±1 | LSb | VREF = VDD = 5.12V, VSS ≤ VAIN ≤ VREF | |
| A03 | EIL | Integral linearity error | — | — | < ±1 | LSb | VREF = VDD = 5.12V, VSS ≤ VAIN ≤ VREF | |
| A04 | EDL | Differential linearity error | — | — | < ±1 | LSb | VREF = VDD = 5.12V, VSS ≤ VAIN ≤ VREF | |
| A05 | EFS | Full scale error | — | — | < ±1 | LSb | VREF = VDD = 5.12V, VSS ≤ VAIN ≤ VREF | |
| A06 | EOFF | Offset error | — | — | < ±1 | LSb | VREF = VDD = 5.12V, VSS ≤ VAIN ≤ VREF | |
| A10 | — | Monotonicity (Note 3) | — | guaranteed | — | — | VSS ≤ VAIN ≤ VREF | |
| A20 | VREF | Reference voltage | 2.5 | — | 5.5 | V | -40°C to +125°C | |
| | | | 2.2 | — | 5.5 | V | 0°C to +125°C | |
| A25 | VAIN | Analog input voltage | VSS - 0.3 | — | VREF + 0.3 | V | | |
| A30 | ZAIN | Recommended impedance of analog voltage source | — | — | 10.0 | kΩ | | |
| A40 | IAD | A/D conversion current (VDD) | PIC16F7X | — | 180 | — | μA | Average current consumption when A/D is on (Note 1). |
| | | | PIC16LF7X | — | 90 | — | μA | |
| A50 | IREF | VREF input current (Note 2) | N/A | — | ±5 | μA | During VAIN acquisition. During A/D Conversion cycle. | |
| | | | — | — | 500 | μA | | |

* These parameters are characterized but not tested.

† Data in "Typ" column is at 5V, 25°C unless otherwise stated. These parameters are for design guidance only and are not tested.

Note 1: When A/D is off, it will not consume any current other than minor leakage current. The power-down current spec includes any such leakage from the A/D module.

2: VREF current is from the RA3 pin or the VDD pin, whichever is selected as a reference input.

3: The A/D conversion result never decreases with an increase in the input voltage and has no missing codes.

FIGURE 15-19: A/D CONVERSION TIMING

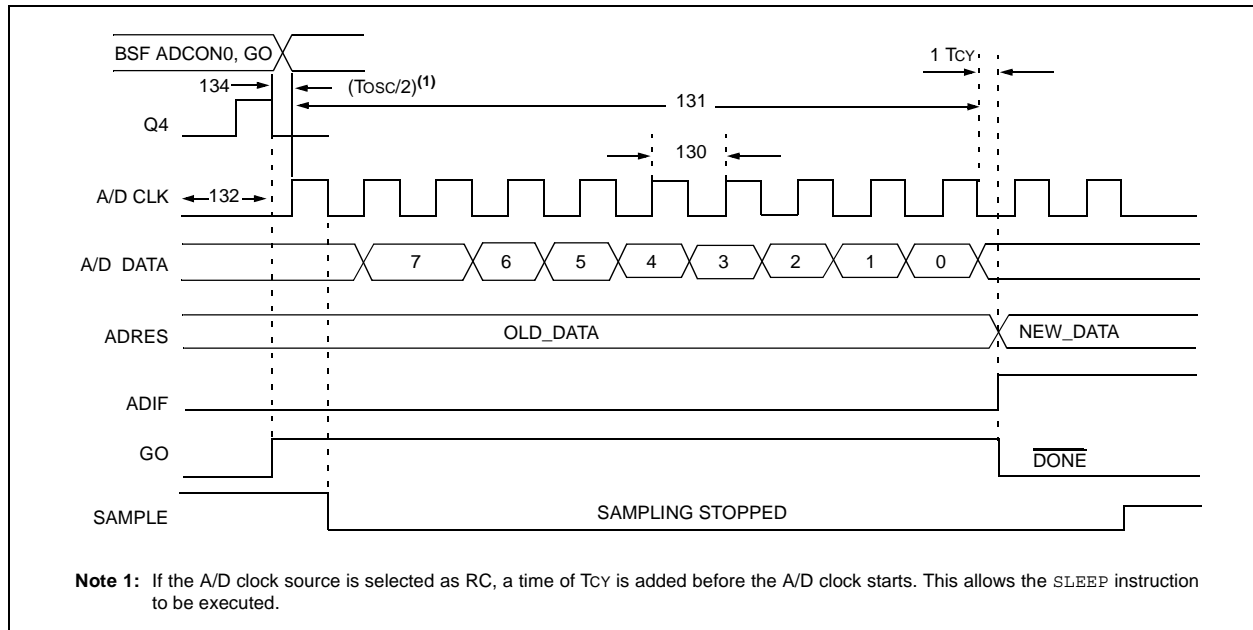


TABLE 15-13: A/D CONVERSION REQUIREMENTS

| Param No. | Sym | Characteristic | | Min | Typ† | Max | Units | Conditions |
|-----------|------------------|--|-----------|-----|--------|-----|---------------|---|
| 130 | TAD | A/D clock period | PIC16F7X | 1.6 | — | — | μs | TOSC based, $V_{REF} \geq 3.0\text{V}$ |
| | | | PIC16LF7X | 2.0 | — | — | μs | TOSC based, $2.0\text{V} \leq V_{REF} \leq 5.5\text{V}$ |
| | | | PIC16F7X | 2.0 | 4.0 | 6.0 | μs | A/D RC mode |
| | | | PIC16LF7X | 3.0 | 6.0 | 9.0 | μs | A/D RC mode |
| 131 | T _{CNV} | Conversion time (not including S/H time) (Note 1) | | 9 | — | 9 | TAD | |
| 132 | T _{ACQ} | Acquisition time | | 5* | — | — | μs | The minimum time is the amplifier settling time. This may be used if the “new” input voltage has not changed by more than 1 LSb (i.e., 20.0 mV @ 5.12V) from the last sampled voltage (as stated on CHOLD). |
| 134 | T _{GO} | Q4 to A/D clock start | | — | TOSC/2 | — | — | If the A/D clock source is selected as RC, a time of T_{CY} is added before the A/D clock starts. This allows the <code>SLEEP</code> instruction to be executed. |

* These parameters are characterized but not tested.

† Data in “Typ” column is at 5V, 25°C unless otherwise stated. These parameters are for design guidance only and are not tested.

Note 1: ADRES register may be read on the following T_{CY} cycle.

2: See Section 11.1 for minimum conditions.

PIC16F7X

NOTES:

16.0 DC AND AC CHARACTERISTICS GRAPHS AND TABLES

Note: The graphs and tables provided following this note are a statistical summary based on a limited number of samples and are provided for informational purposes only. The performance characteristics listed herein are not tested or guaranteed. In some graphs or tables, the data presented may be outside the specified operating range (e.g., outside specified power supply range) and therefore, outside the warranted range.

“Typical” represents the mean of the distribution at 25°C. “Maximum” or “minimum” represents (mean + 3σ) or (mean - 3σ) respectively, where σ is a standard deviation, over the whole temperature range.

FIGURE 16-1: TYPICAL I_{DD} vs. F_{osc} OVER V_{DD} (HS MODE)

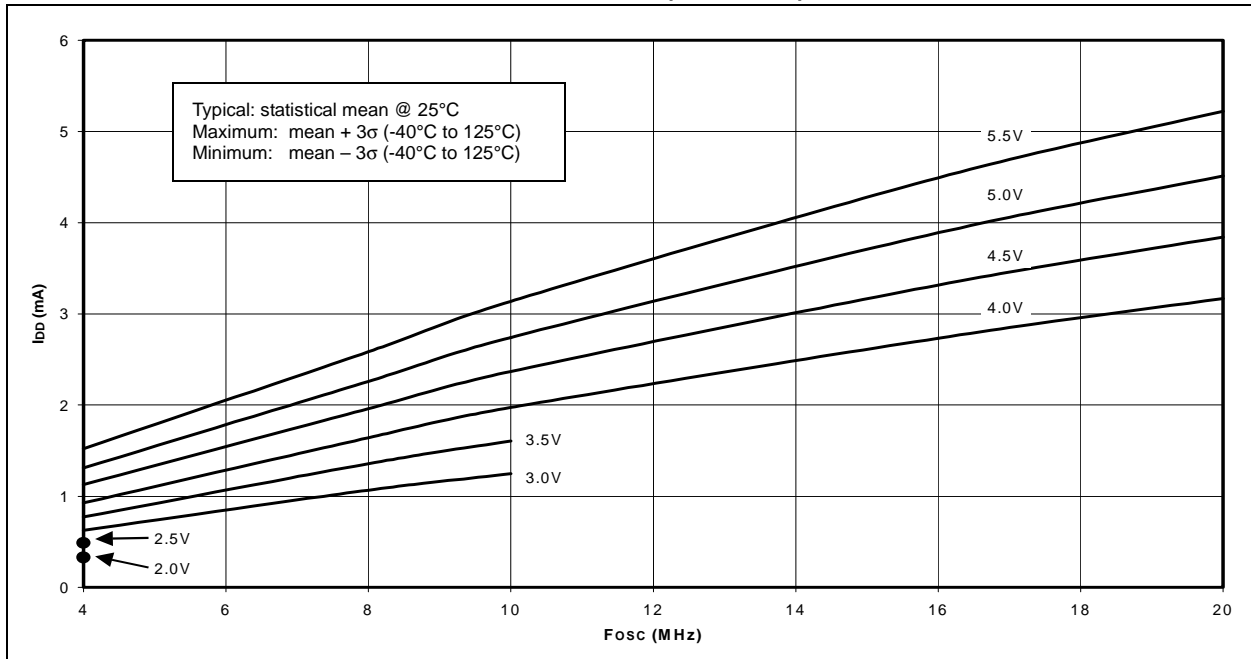
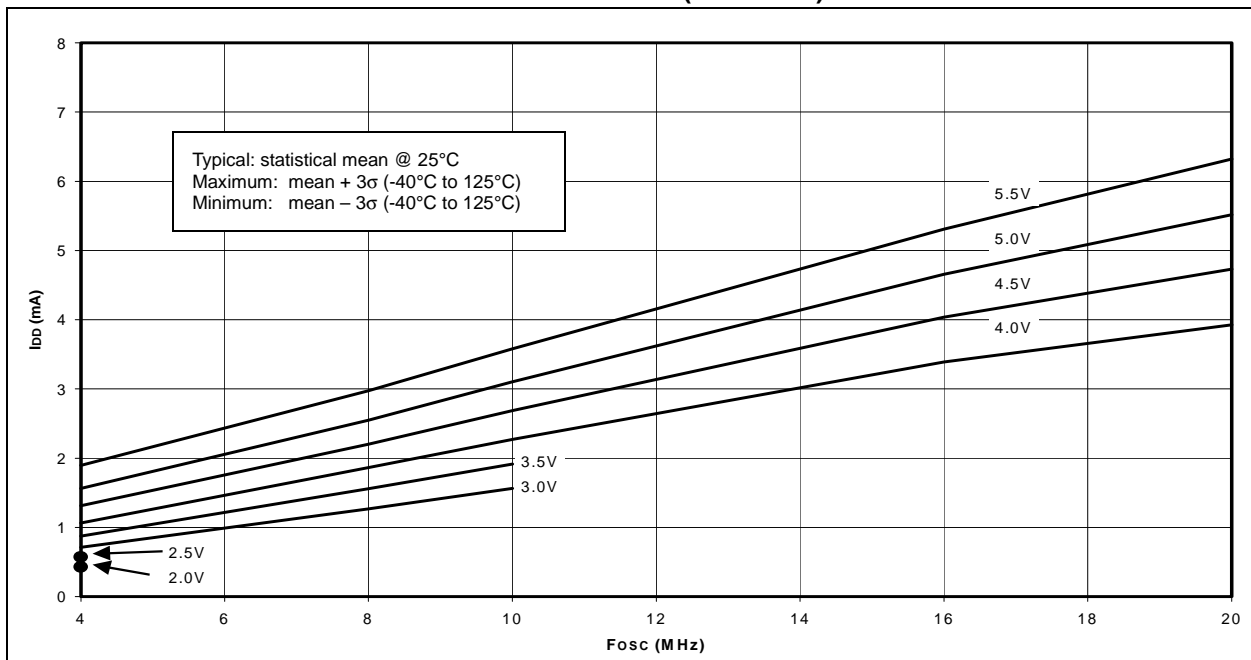


FIGURE 16-2: MAXIMUM I_{DD} vs. F_{osc} OVER V_{DD} (HS MODE)



PIC16F7X

FIGURE 16-3: TYPICAL I_{DD} vs. F_{osc} OVER V_{DD} (XT MODE)

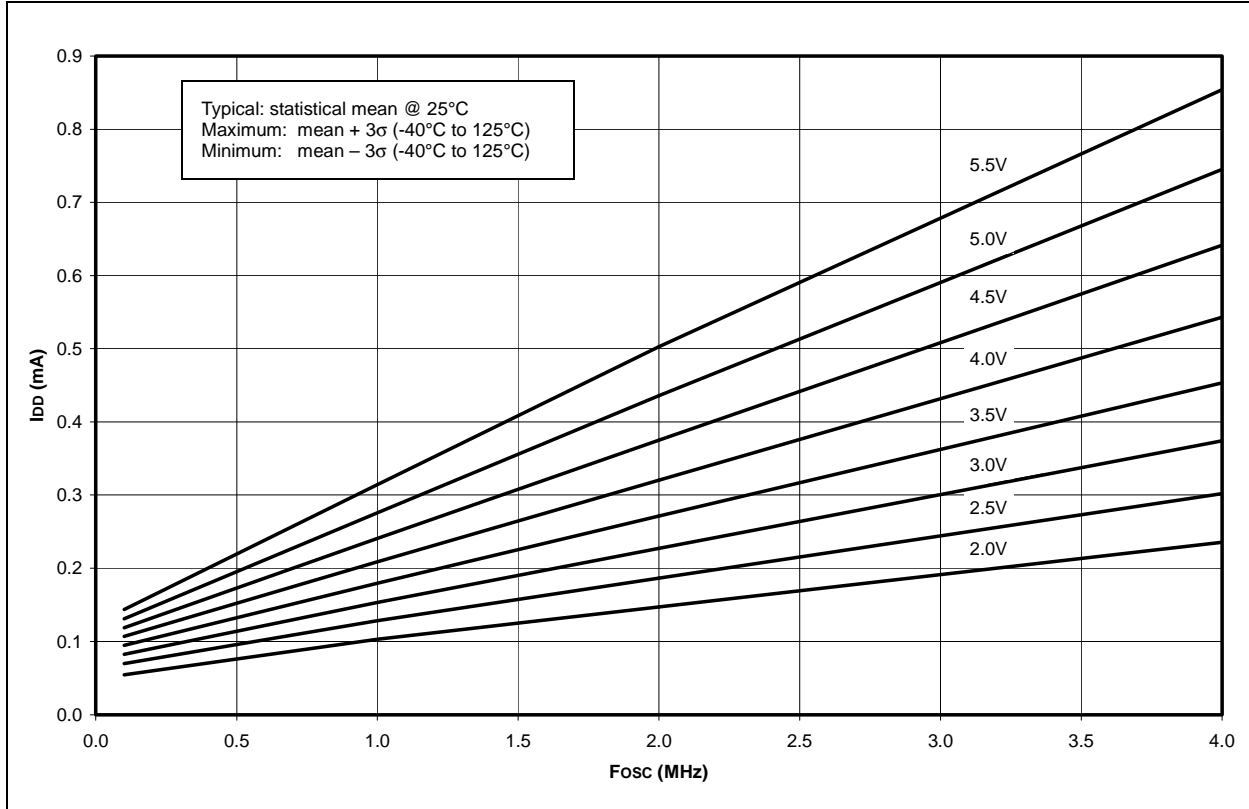


FIGURE 16-4: MAXIMUM I_{DD} vs. F_{osc} OVER V_{DD} (XT MODE)

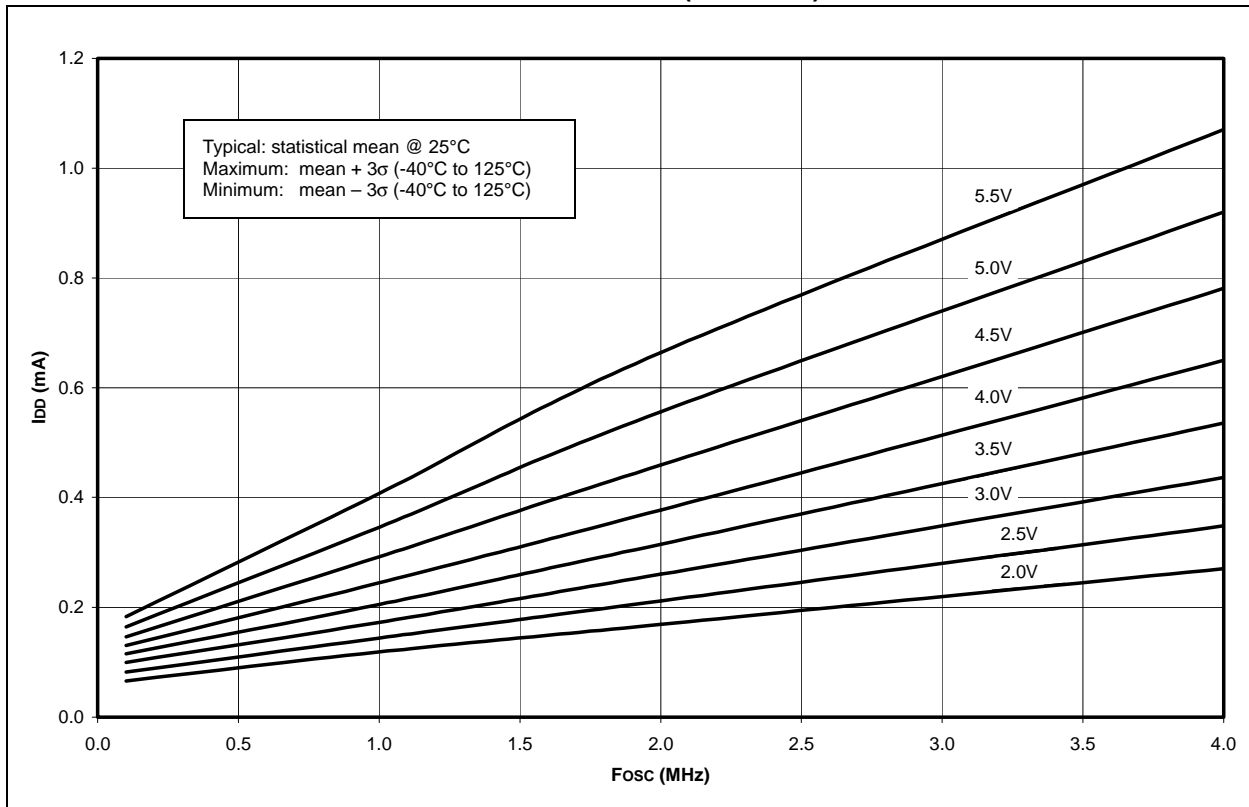


FIGURE 16-5: TYPICAL I_{DD} vs. F_{OSC} OVER V_{DD} (LP MODE)

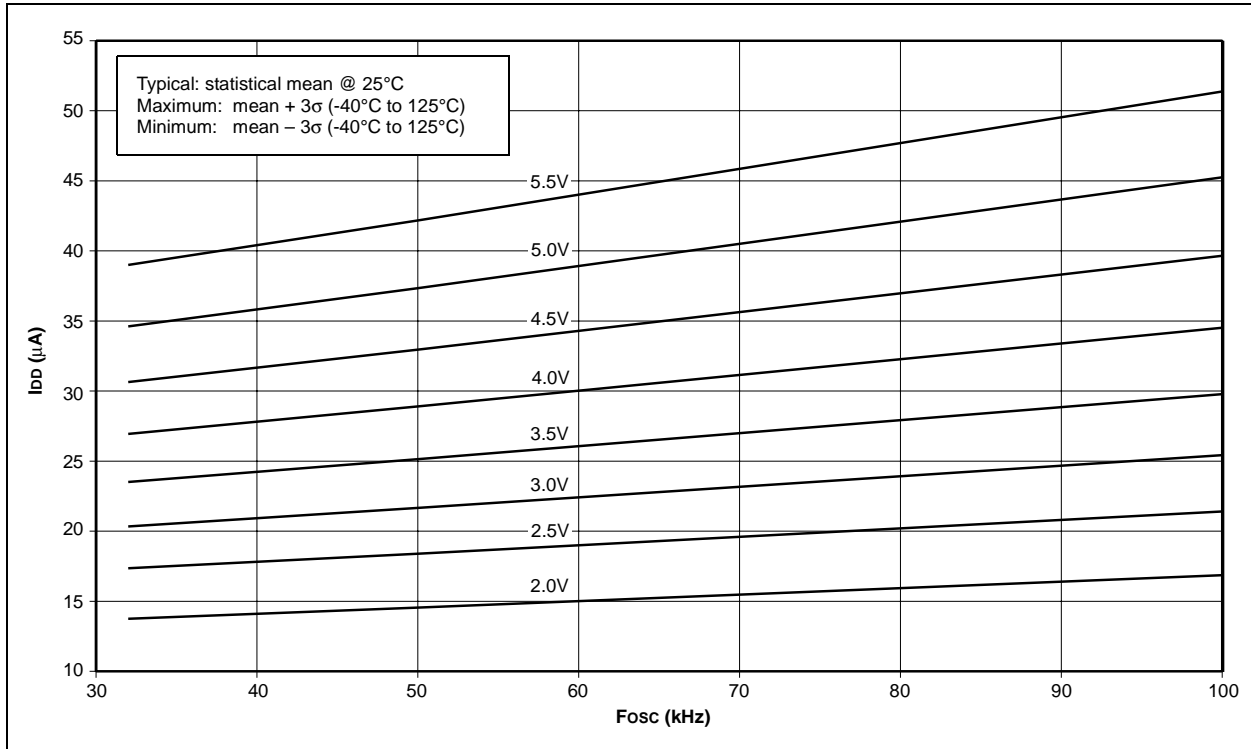
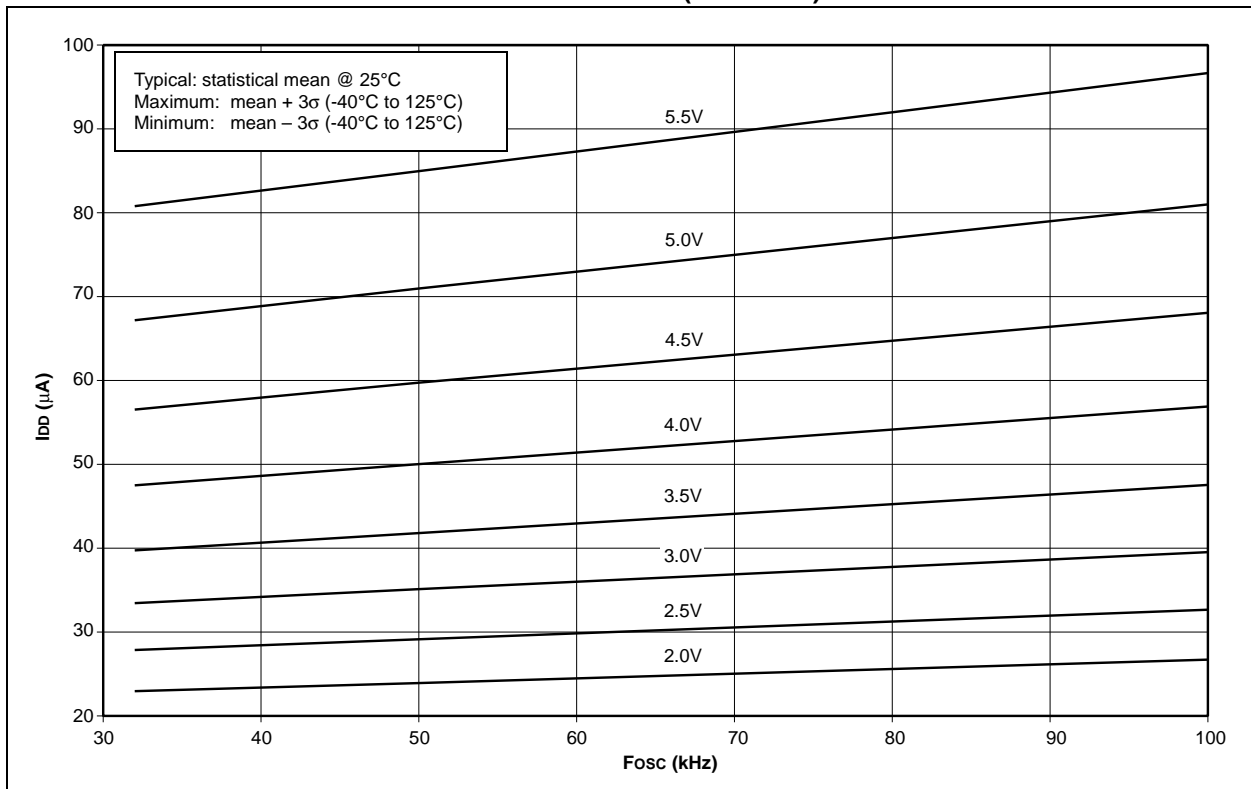


FIGURE 16-6: MAXIMUM I_{DD} vs. F_{OSC} OVER V_{DD} (LP MODE)



PIC16F7X

FIGURE 16-7: AVERAGE F_{osc} vs. V_{DD} FOR VARIOUS VALUES OF R (RC MODE, C = 20 pF, 25°C)

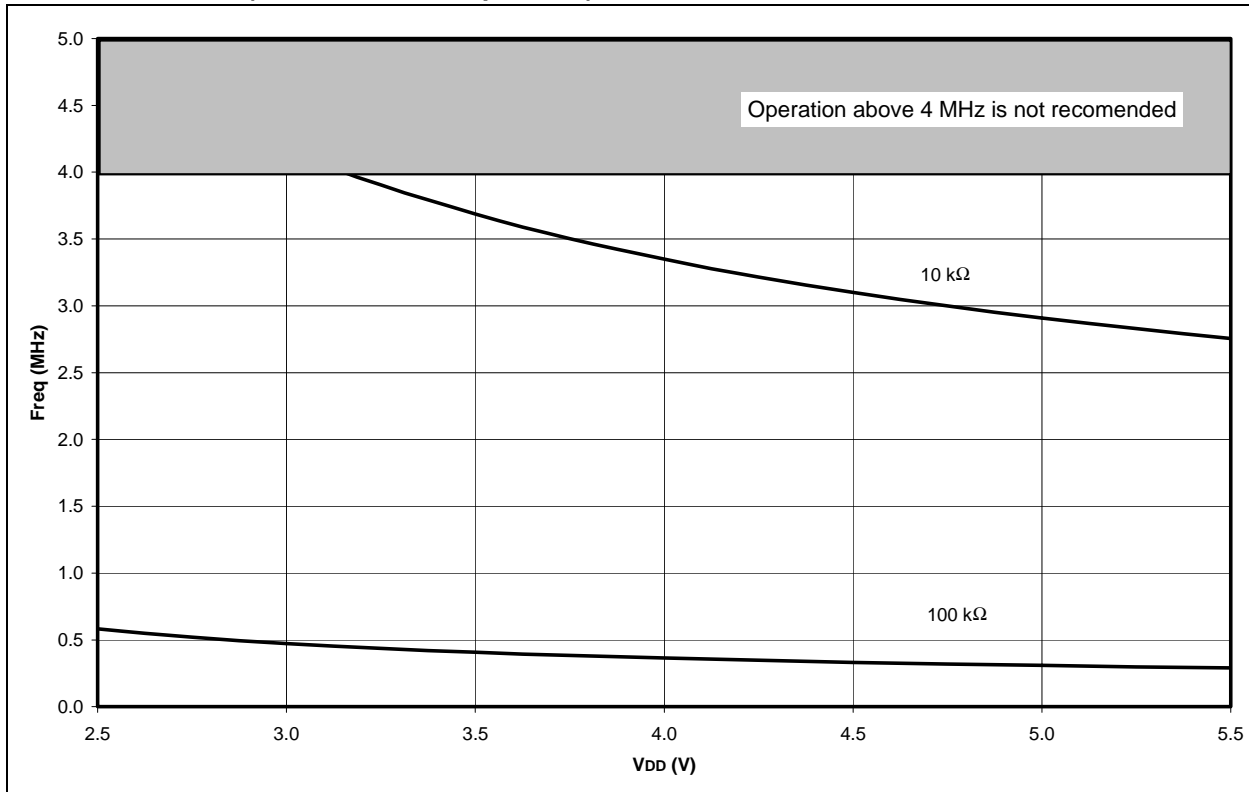


FIGURE 16-8: AVERAGE F_{osc} vs. V_{DD} FOR VARIOUS VALUES OF R (RC MODE, C = 100 pF, 25°C)

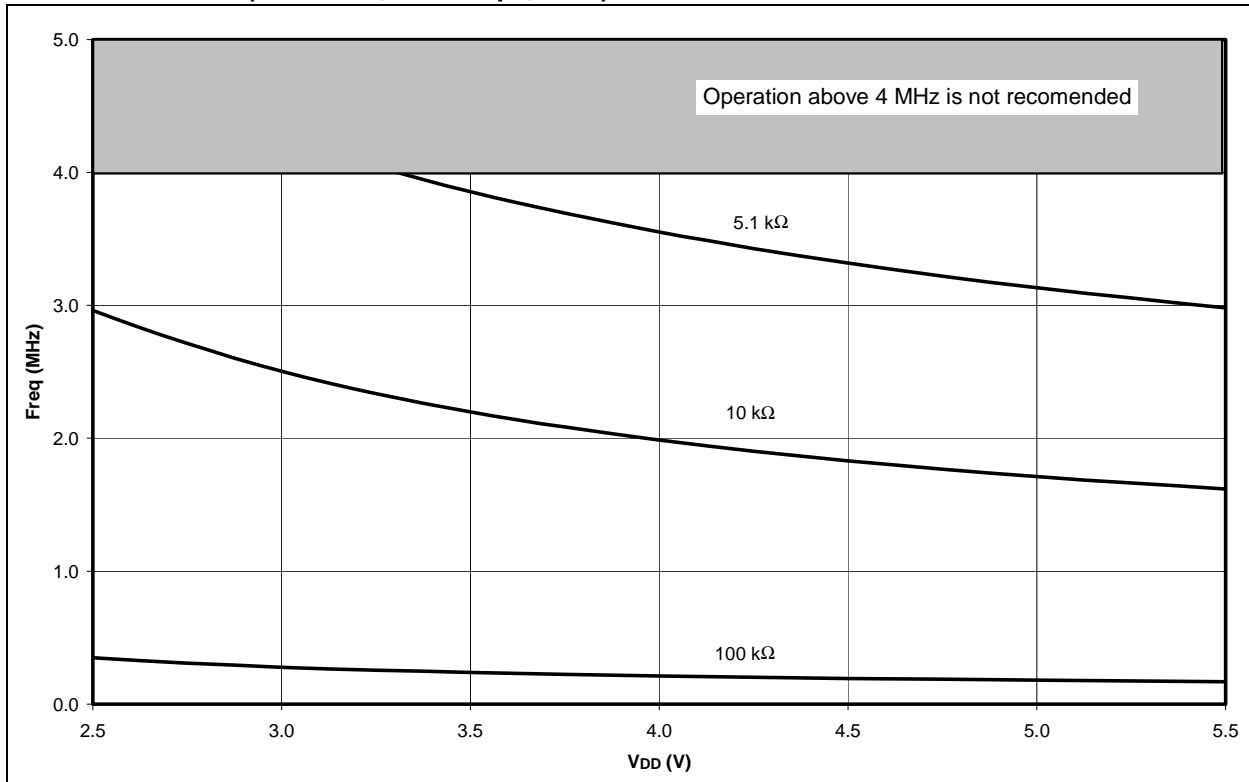


FIGURE 16-9: AVERAGE Fosc vs. VDD FOR VARIOUS VALUES OF R (RC MODE, C = 300 pF, 25°C)

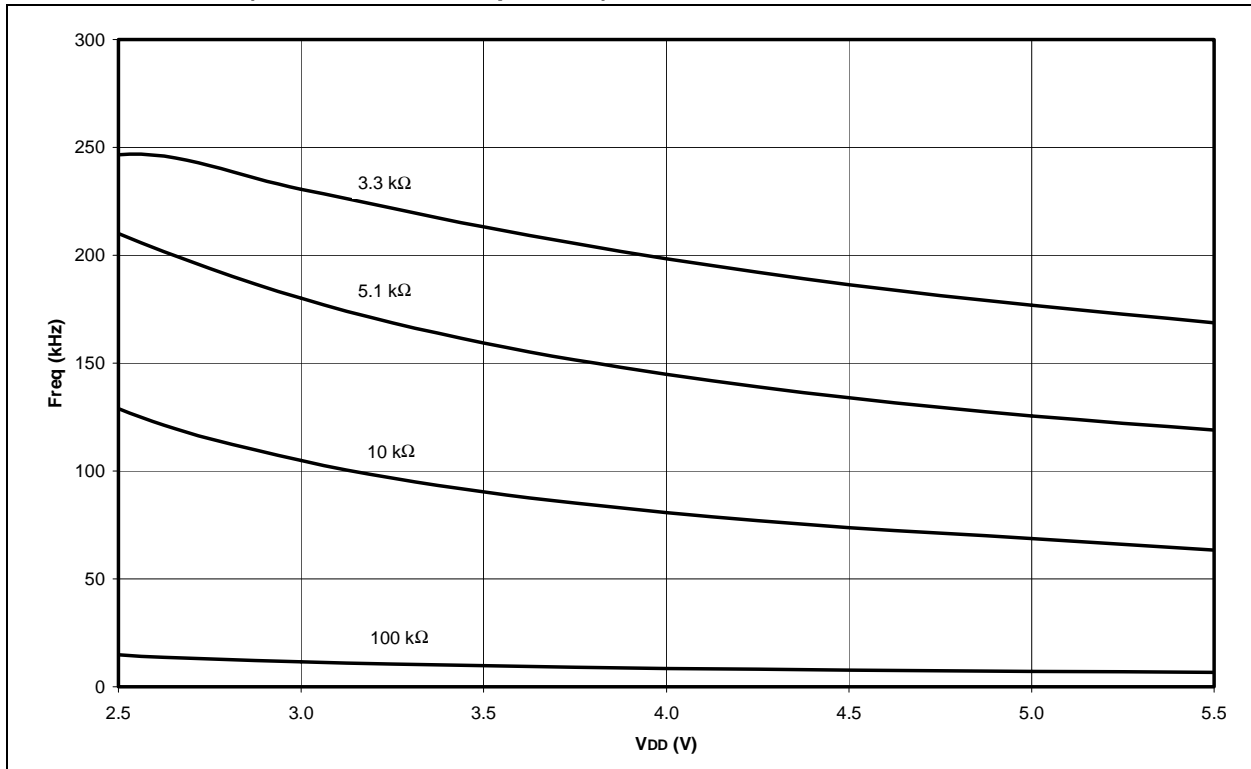
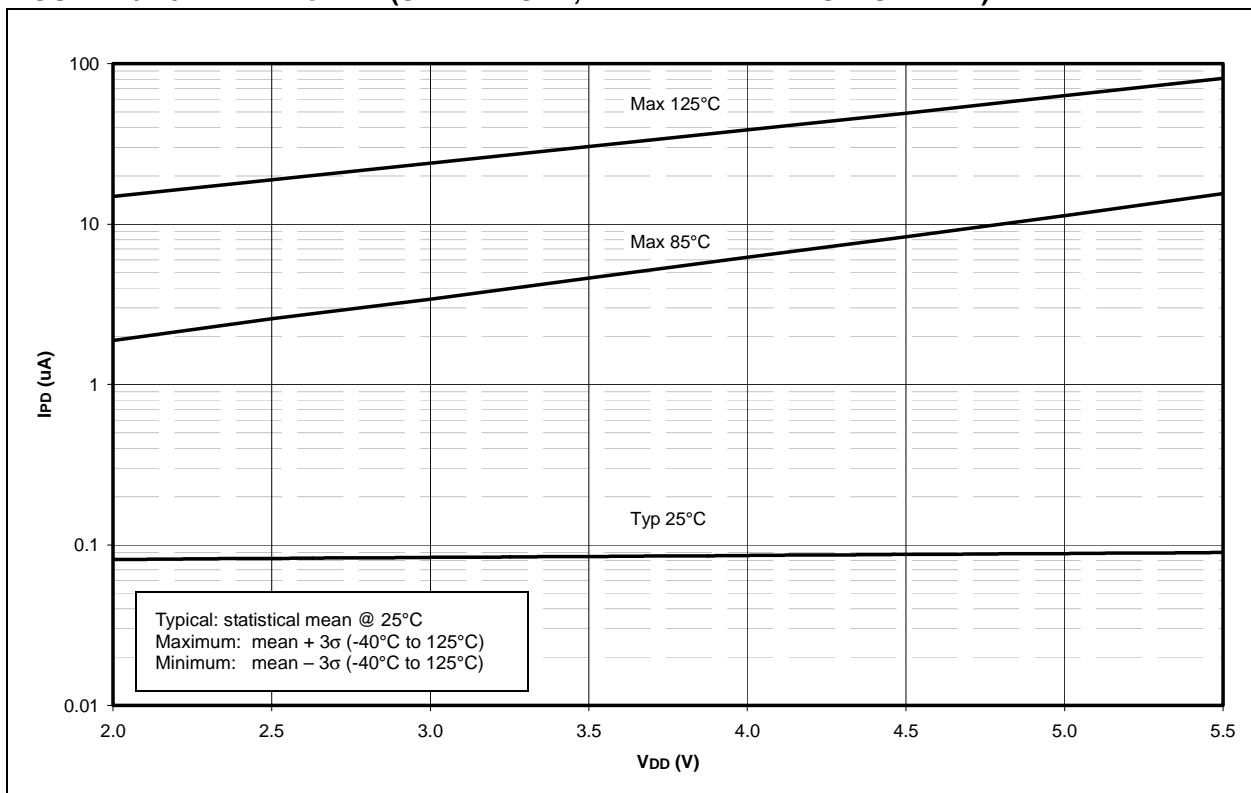


FIGURE 16-10: IPD vs. VDD (SLEEP MODE, ALL PERIPHERALS DISABLED)



PIC16F7X

FIGURE 16-11: ΔI_{BOR} vs. V_{DD} OVER TEMPERATURE

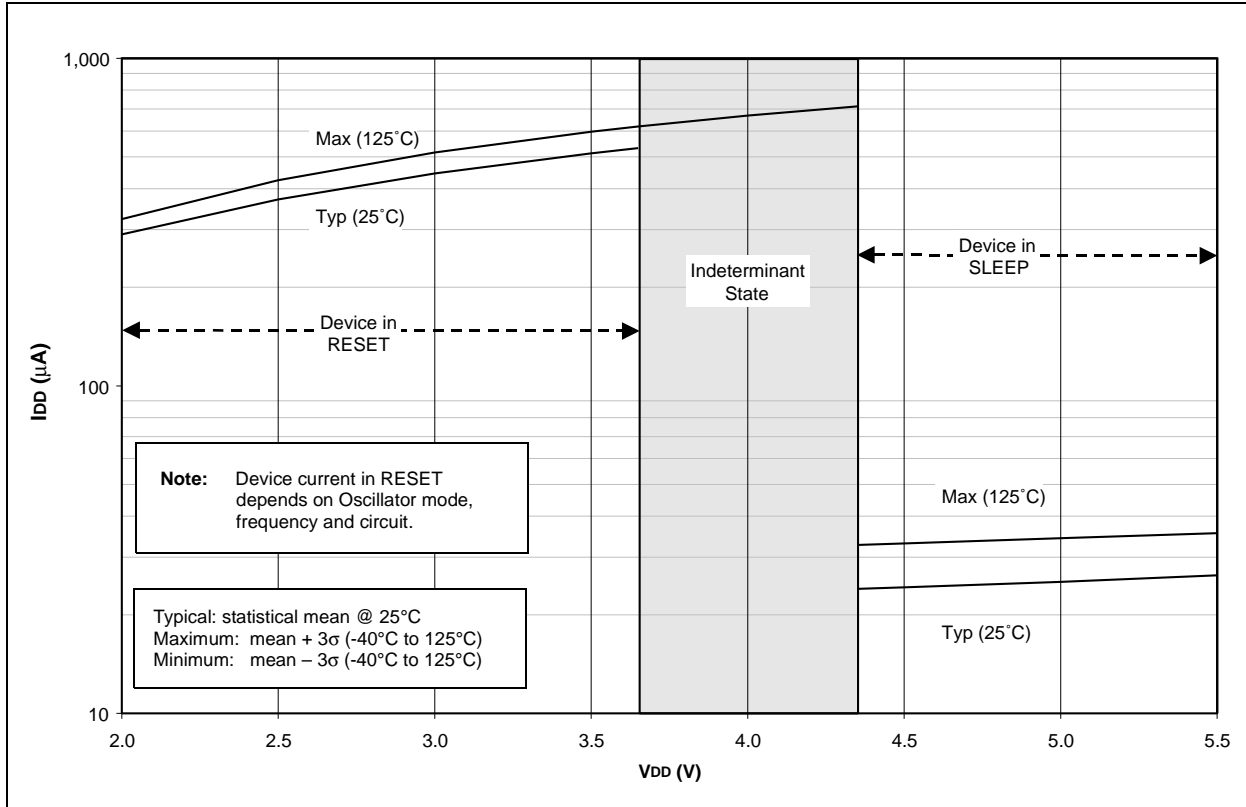


FIGURE 16-12: TYPICAL AND MAXIMUM ΔI_{WDT} vs. V_{DD} OVER TEMPERATURE

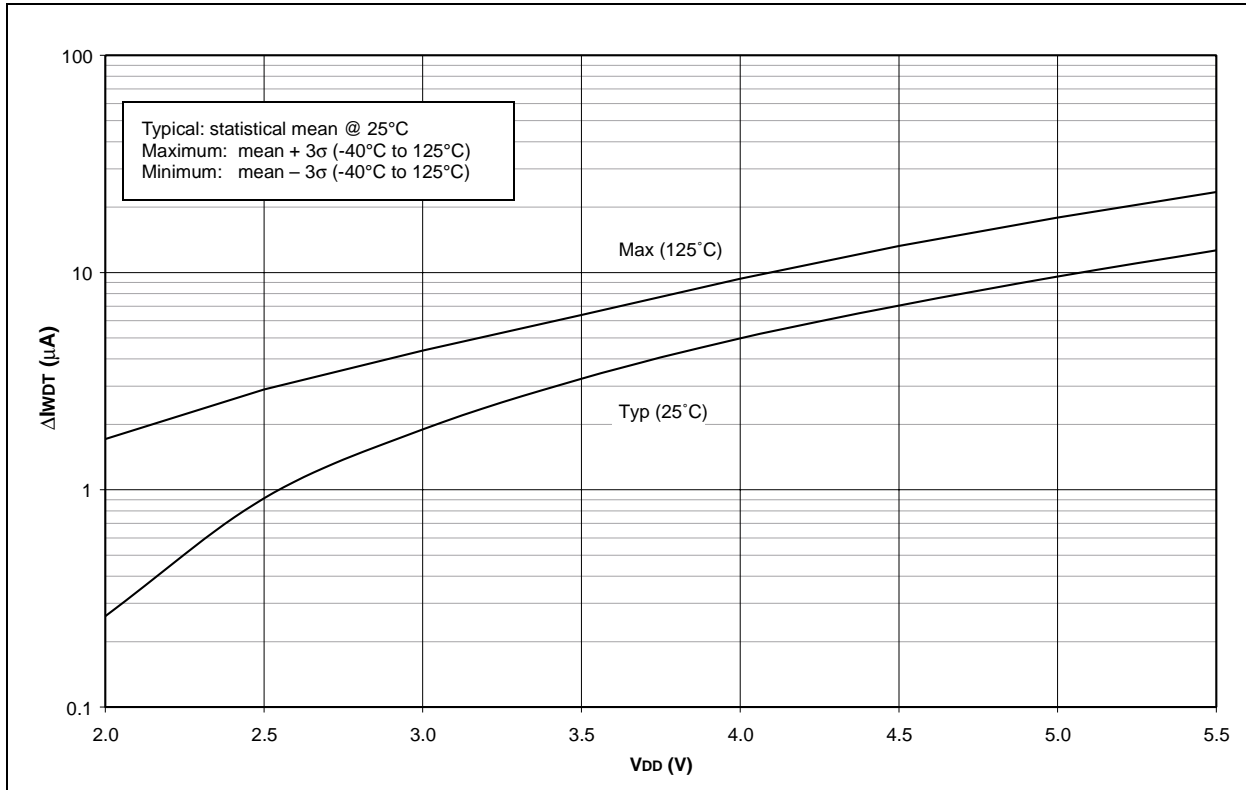


FIGURE 16-13: TYPICAL, MINIMUM AND MAXIMUM WDT PERIOD vs. V_{DD} (-40°C TO 125°C)

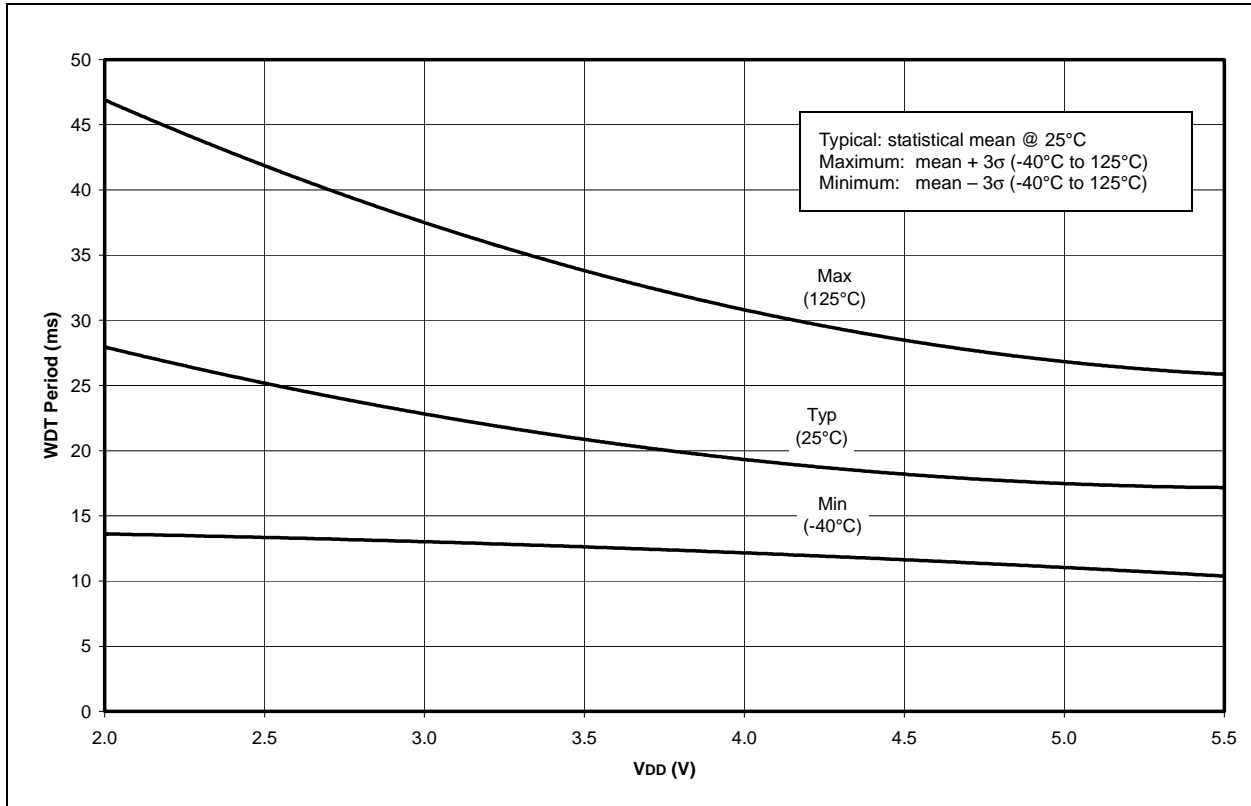
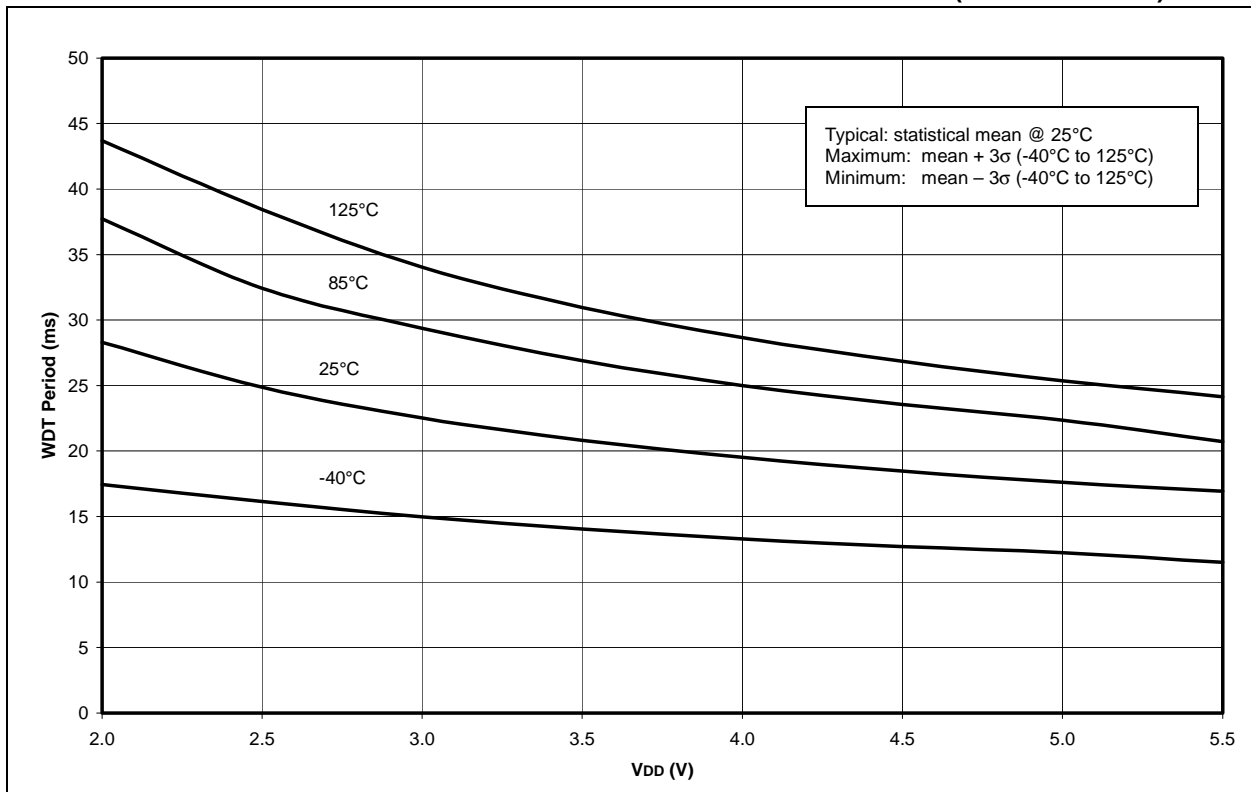


FIGURE 16-14: AVERAGE WDT PERIOD vs. V_{DD} OVER TEMPERATURE (-40°C TO 125°C)



PIC16F7X

FIGURE 16-15: TYPICAL, MINIMUM AND MAXIMUM V_{OH} vs. I_{OH} ($V_{DD} = 5V$, $-40^{\circ}C$ TO $125^{\circ}C$)

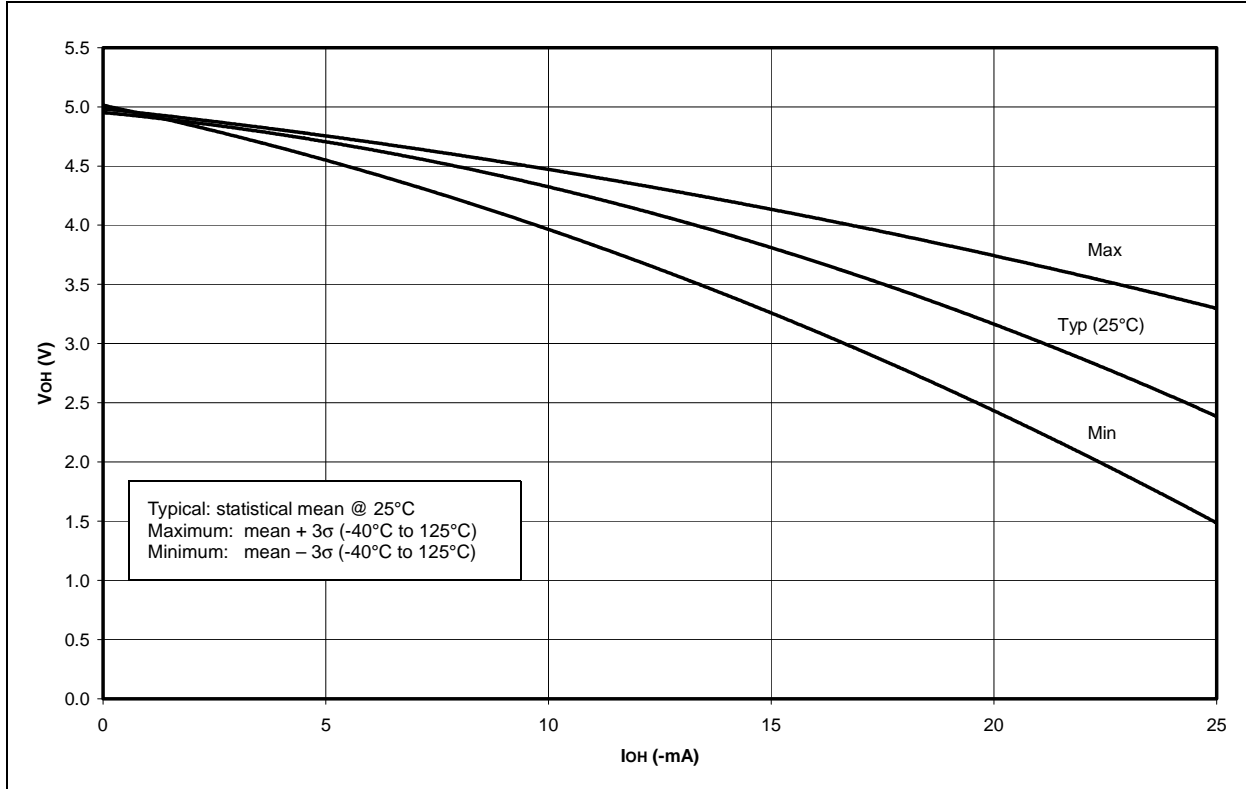


FIGURE 16-16: TYPICAL, MINIMUM AND MAXIMUM V_{OH} vs. I_{OH} ($V_{DD} = 3V$, $-40^{\circ}C$ TO $125^{\circ}C$)

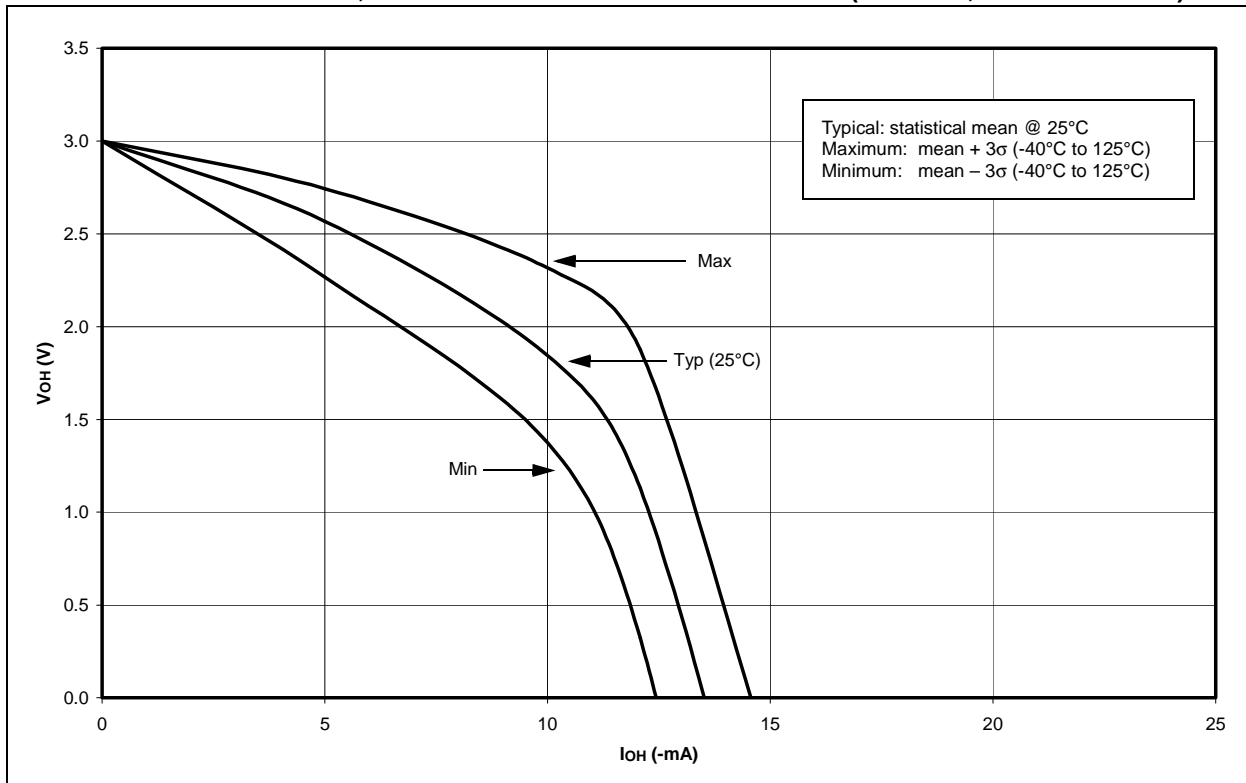


FIGURE 16-17: TYPICAL, MINIMUM AND MAXIMUM V_{OL} vs. I_{OL} ($V_{DD} = 5V$, $-40^{\circ}C$ TO $125^{\circ}C$)

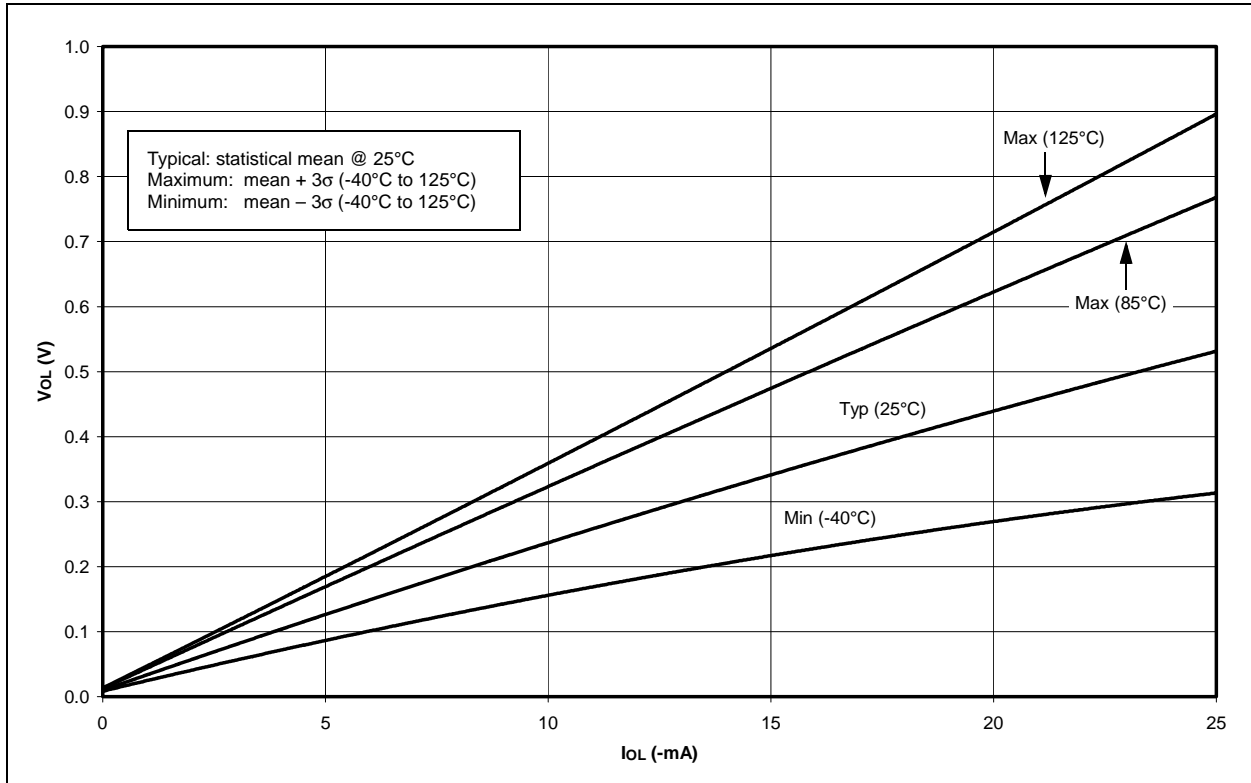
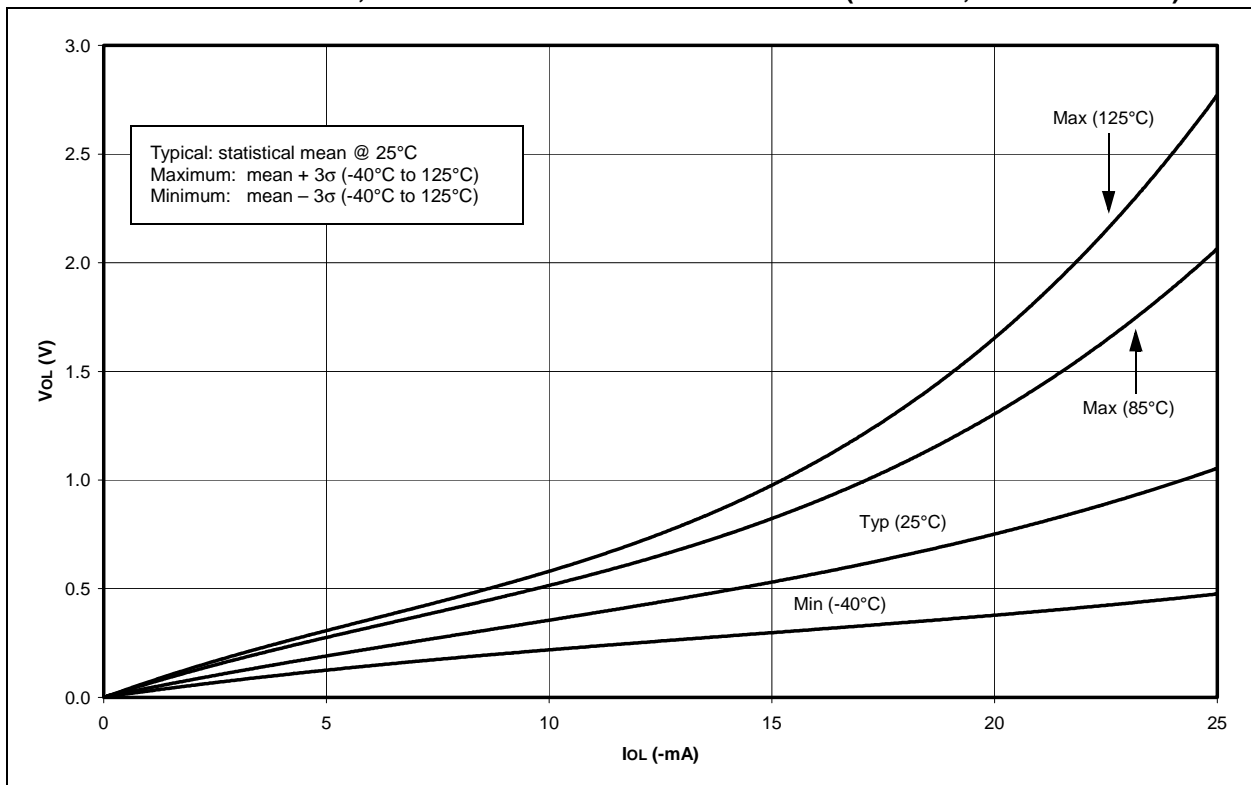


FIGURE 16-18: TYPICAL, MINIMUM AND MAXIMUM V_{OL} vs. I_{OL} ($V_{DD} = 3V$, $-40^{\circ}C$ TO $125^{\circ}C$)



PIC16F7X

FIGURE 16-19: MINIMUM AND MAXIMUM V_{IN} vs. V_{DD} , (TTL INPUT, -40°C TO 125°C)

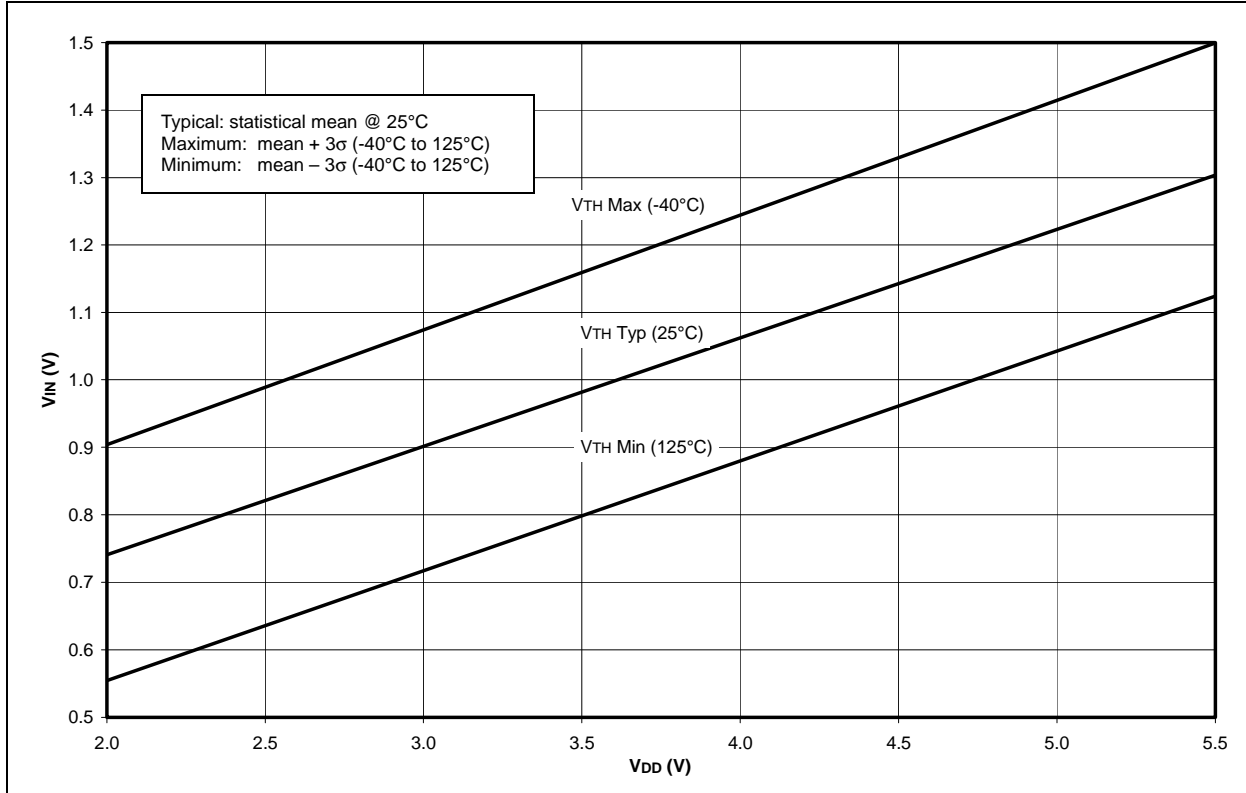
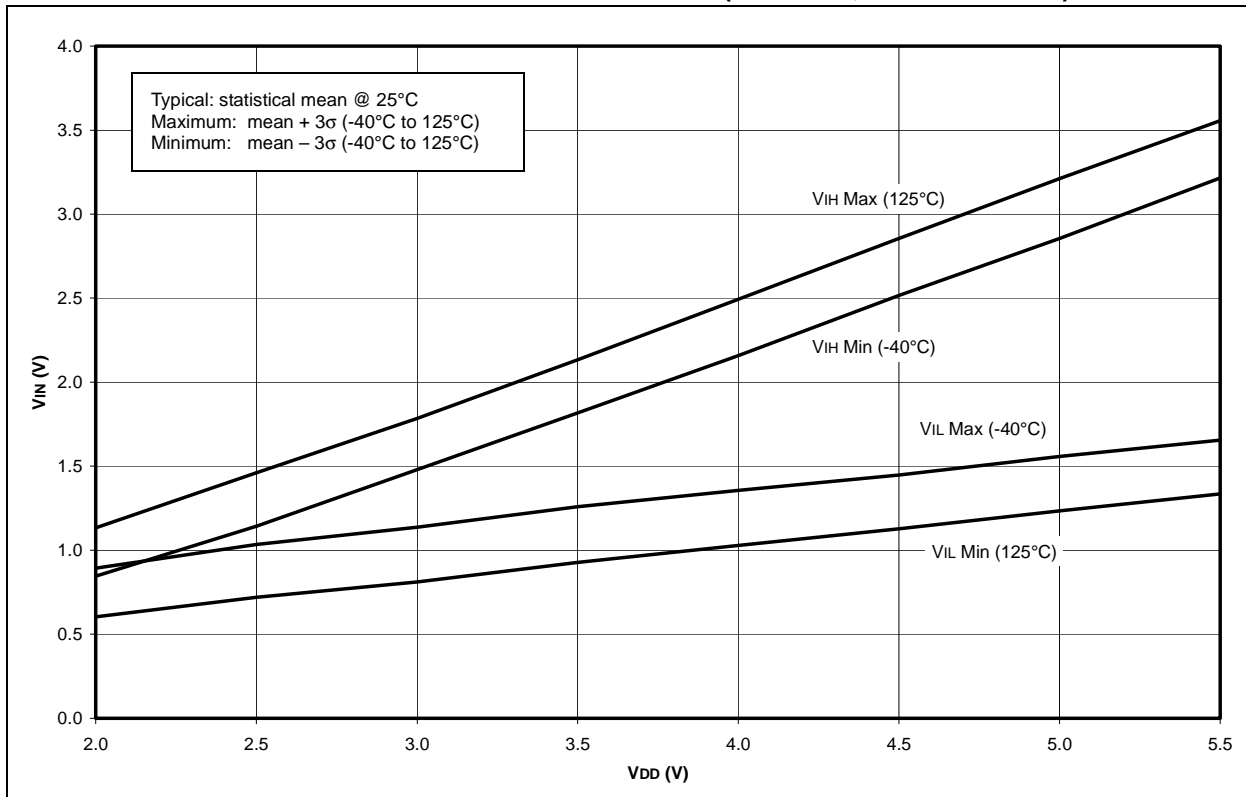


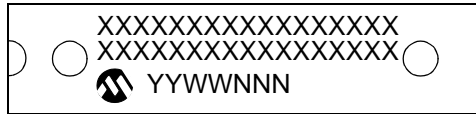
FIGURE 16-20: MINIMUM AND MAXIMUM V_{IN} vs. V_{DD} (ST INPUT, -40°C TO 125°C)



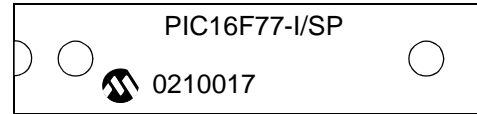
17.0 PACKAGING INFORMATION

17.1 Package Marking Information

28-Lead PDIP (Skinny DIP)



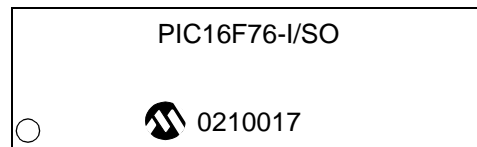
Example



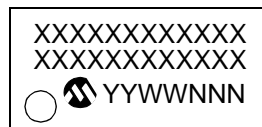
28-Lead SOIC



Example



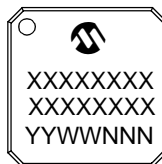
28-Lead SSOP



Example



28-Lead MLF



Example



| | | |
|----------------|--------|--|
| Legend: | XX...X | Customer specific information* |
| | Y | Year code (last digit of calendar year) |
| | YY | Year code (last 2 digits of calendar year) |
| | WW | Week code (week of January 1 is week '01') |
| | NNN | Alphanumeric traceability code |

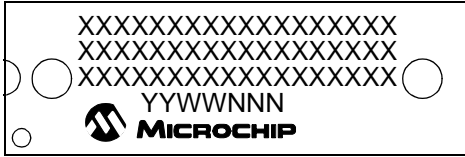
Note: In the event the full Microchip part number cannot be marked on one line, it will be carried over to the next line thus limiting the number of available characters for customer specific information.

* Standard PICmicro device marking consists of Microchip part number, year code, week code, and traceability code. For PICmicro device marking beyond this, certain price adders apply. Please check with your Microchip Sales Office. For QTP devices, any special marking adders are included in QTP price.

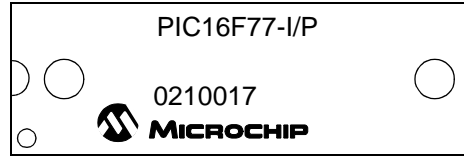
PIC16F7X

Package Marking Information (Cont'd)

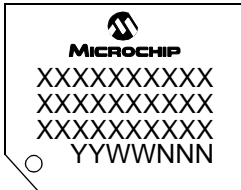
40-Lead PDIP



Example



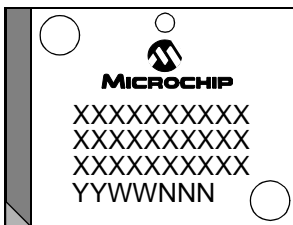
44-Lead TQFP



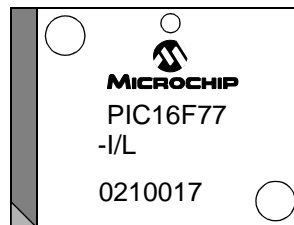
Example



44-Lead PLCC



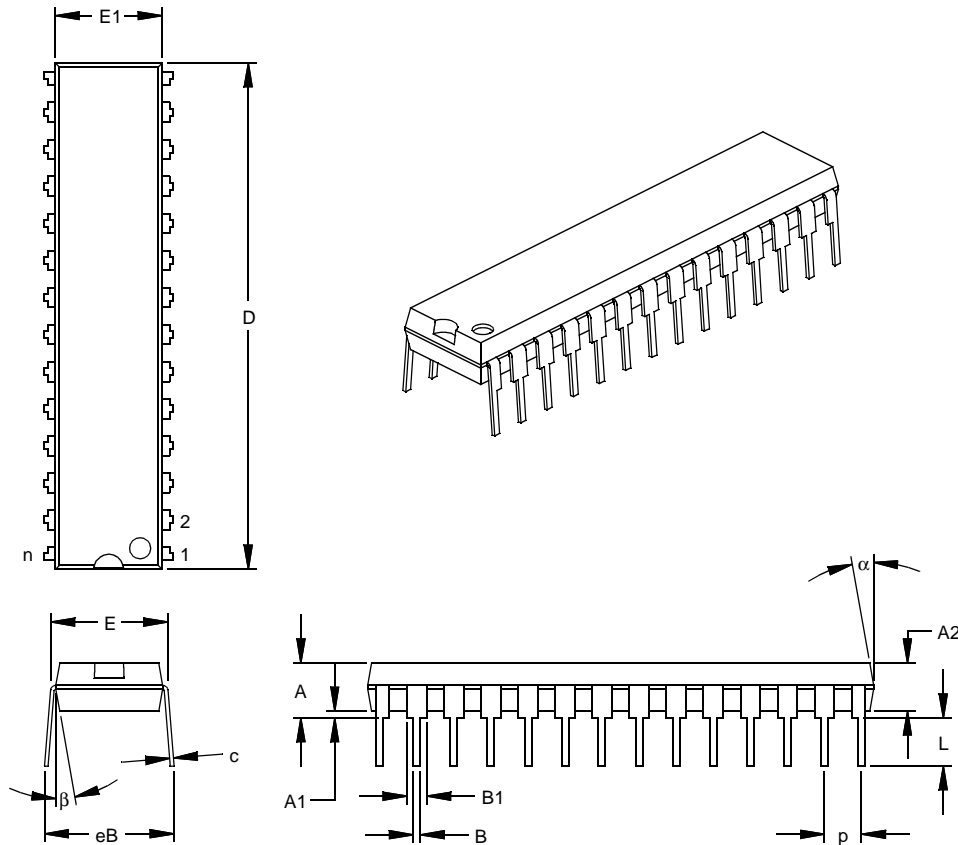
Example



17.2 Package Details

The following sections give the technical details of the packages.

28-Lead Skinny Plastic Dual In-line (SP) – 300 mil (PDIP)



| Dimension Limits | | INCHES* | | | MILLIMETERS | | |
|----------------------------|------|---------|-------|-------|-------------|-------|-------|
| | | MIN | NOM | MAX | MIN | NOM | MAX |
| Number of Pins | n | | 28 | | | 28 | |
| Pitch | p | | .100 | | | 2.54 | |
| Top to Seating Plane | A | .140 | .150 | .160 | 3.56 | 3.81 | 4.06 |
| Molded Package Thickness | A2 | .125 | .130 | .135 | 3.18 | 3.30 | 3.43 |
| Base to Seating Plane | A1 | .015 | | | 0.38 | | |
| Shoulder to Shoulder Width | E | .300 | .310 | .325 | 7.62 | 7.87 | 8.26 |
| Molded Package Width | E1 | .275 | .285 | .295 | 6.99 | 7.24 | 7.49 |
| Overall Length | D | 1.345 | 1.365 | 1.385 | 34.16 | 34.67 | 35.18 |
| Tip to Seating Plane | L | .125 | .130 | .135 | 3.18 | 3.30 | 3.43 |
| Lead Thickness | c | .008 | .012 | .015 | 0.20 | 0.29 | 0.38 |
| Upper Lead Width | B1 | .040 | .053 | .065 | 1.02 | 1.33 | 1.65 |
| Lower Lead Width | B | .016 | .019 | .022 | 0.41 | 0.48 | 0.56 |
| Overall Row Spacing | § eB | .320 | .350 | .430 | 8.13 | 8.89 | 10.92 |
| Mold Draft Angle Top | α | 5 | 10 | 15 | 5 | 10 | 15 |
| Mold Draft Angle Bottom | β | 5 | 10 | 15 | 5 | 10 | 15 |

* Controlling Parameter

§ Significant Characteristic

Notes:

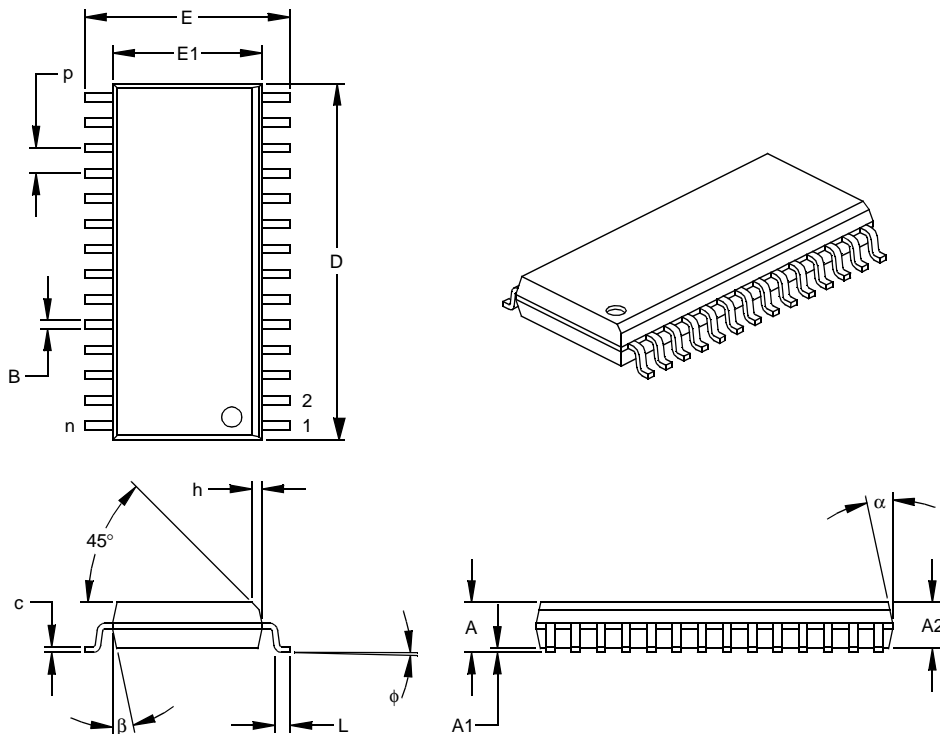
Dimension D and E1 do not include mold flash or protrusions. Mold flash or protrusions shall not exceed .010" (0.254mm) per side.

JEDEC Equivalent: MO-095

Drawing No. C04-070

PIC16F7X

28-Lead Plastic Small Outline (SO) – Wide, 300 mil (SOIC)



| Dimension Limits | Units | INCHES* | | | MILLIMETERS | | |
|--------------------------|-------|---------|------|------|-------------|-------|-------|
| | | MIN | NOM | MAX | MIN | NOM | MAX |
| Number of Pins | n | | 28 | | | 28 | |
| Pitch | p | | .050 | | | 1.27 | |
| Overall Height | A | .093 | .099 | .104 | 2.36 | 2.50 | 2.64 |
| Molded Package Thickness | A2 | .088 | .091 | .094 | 2.24 | 2.31 | 2.39 |
| Standoff § | A1 | .004 | .008 | .012 | 0.10 | 0.20 | 0.30 |
| Overall Width | E | .394 | .407 | .420 | 10.01 | 10.34 | 10.67 |
| Molded Package Width | E1 | .288 | .295 | .299 | 7.32 | 7.49 | 7.59 |
| Overall Length | D | .695 | .704 | .712 | 17.65 | 17.87 | 18.08 |
| Chamfer Distance | h | .010 | .020 | .029 | 0.25 | 0.50 | 0.74 |
| Foot Length | L | .016 | .033 | .050 | 0.41 | 0.84 | 1.27 |
| Foot Angle Top | φ | 0 | 4 | 8 | 0 | 4 | 8 |
| Lead Thickness | c | .009 | .011 | .013 | 0.23 | 0.28 | 0.33 |
| Lead Width | B | .014 | .017 | .020 | 0.36 | 0.42 | 0.51 |
| Mold Draft Angle Top | α | 0 | 12 | 15 | 0 | 12 | 15 |
| Mold Draft Angle Bottom | β | 0 | 12 | 15 | 0 | 12 | 15 |

* Controlling Parameter
 § Significant Characteristic

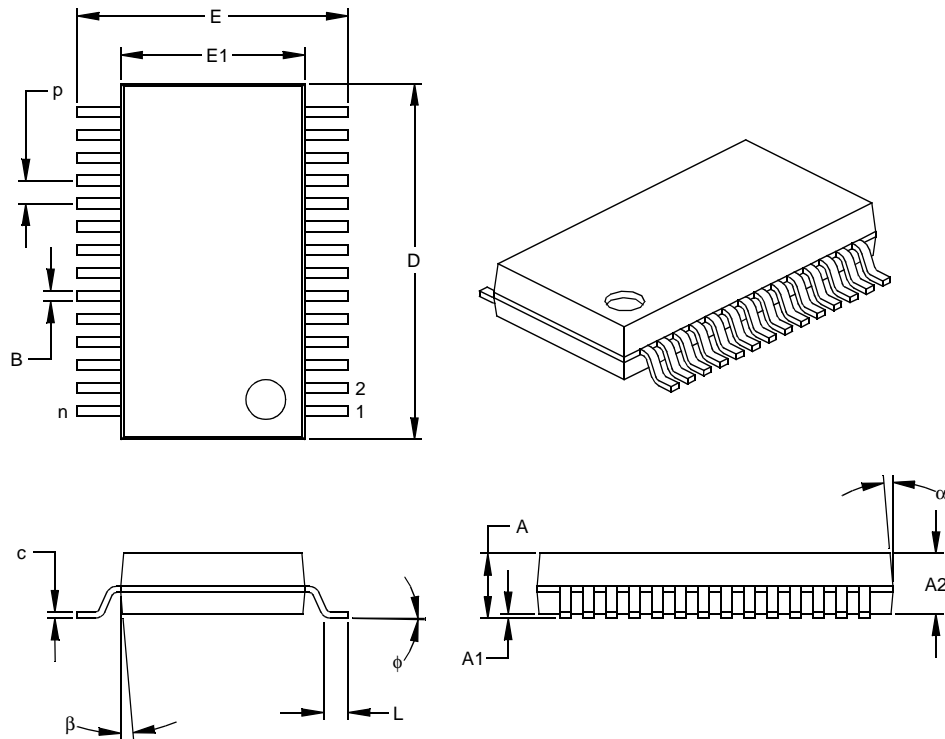
Notes:

Dimensions D and E1 do not include mold flash or protrusions. Mold flash or protrusions shall not exceed .010" (0.254mm) per side.

JEDEC Equivalent: MS-013

Drawing No. C04-052

28-Lead Plastic Shrink Small Outline (SS) – 209 mil, 5.30 mm (SSOP)



| Dimension Limits | Units | INCHES | | | MILLIMETERS* | | |
|--------------------------|-------|--------|------|------|--------------|--------|--------|
| | | MIN | NOM | MAX | MIN | NOM | MAX |
| Number of Pins | n | | 28 | | | 28 | |
| Pitch | p | | .026 | | | 0.65 | |
| Overall Height | A | .068 | .073 | .078 | 1.73 | 1.85 | 1.98 |
| Molded Package Thickness | A2 | .064 | .068 | .072 | 1.63 | 1.73 | 1.83 |
| Standoff § | A1 | .002 | .006 | .010 | 0.05 | 0.15 | 0.25 |
| Overall Width | E | .299 | .309 | .319 | 7.59 | 7.85 | 8.10 |
| Molded Package Width | E1 | .201 | .207 | .212 | 5.11 | 5.25 | 5.38 |
| Overall Length | D | .396 | .402 | .407 | 10.06 | 10.20 | 10.34 |
| Foot Length | L | .022 | .030 | .037 | 0.56 | 0.75 | 0.94 |
| Lead Thickness | c | .004 | .007 | .010 | 0.10 | 0.18 | 0.25 |
| Foot Angle | φ | 0 | 4 | 8 | 0.00 | 101.60 | 203.20 |
| Lead Width | B | .010 | .013 | .015 | 0.25 | 0.32 | 0.38 |
| Mold Draft Angle Top | α | 0 | 5 | 10 | 0 | 5 | 10 |
| Mold Draft Angle Bottom | β | 0 | 5 | 10 | 0 | 5 | 10 |

* Controlling Parameter
 § Significant Characteristic

Notes:

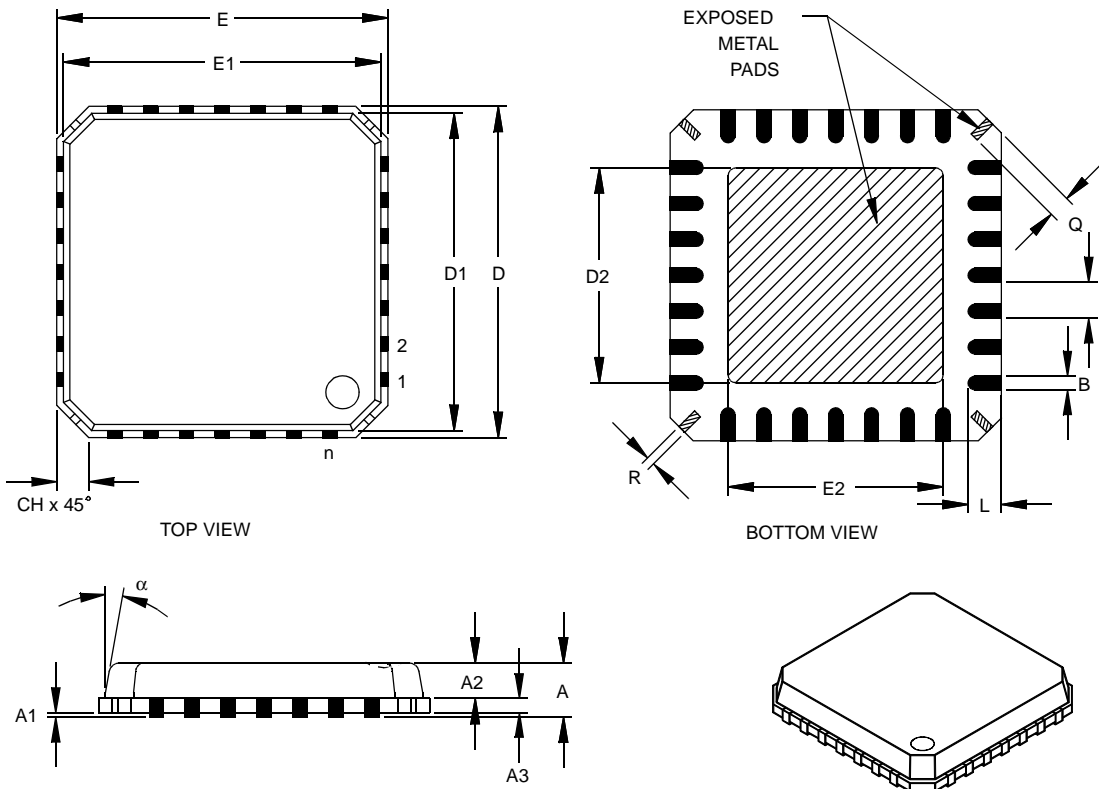
Dimensions D and E1 do not include mold flash or protrusions. Mold flash or protrusions shall not exceed .010" (0.254mm) per side.

JEDEC Equivalent: MS-150

Drawing No. C04-073

PIC16F7X

28-Lead Plastic Micro Leadframe Package (MF) 6x6 mm Body (MLF)



| Dimension Limits | Units | INCHES | | | MILLIMETERS* | | |
|--------------------------|----------|-----------|-------|------|--------------|------|------|
| | | MIN | NOM | MAX | MIN | NOM | MAX |
| Number of Pins | n | | 28 | | | 28 | |
| Pitch | p | .026 BSC | | | 0.65 BSC | | |
| Overall Height | A | | .033 | .039 | | 0.85 | 1.00 |
| Molded Package Thickness | A2 | | .026 | .031 | | 0.65 | 0.80 |
| Standoff | A1 | .000 | .0004 | .002 | 0.00 | 0.01 | 0.05 |
| Base Thickness | A3 | .008 REF. | | | 0.20 REF. | | |
| Overall Width | E | .236 BSC | | | 6.00 BSC | | |
| Molded Package Width | E1 | .226 BSC | | | 5.75 BSC | | |
| Exposed Pad Width | E2 | .140 | .146 | .152 | 3.55 | 3.70 | 3.85 |
| Overall Length | D | .236 BSC | | | 6.00 BSC | | |
| Molded Package Length | D1 | .226 BSC | | | 5.75 BSC | | |
| Exposed Pad Length | D2 | .140 | .146 | .152 | 3.55 | 3.70 | 3.85 |
| Lead Width | B | .009 | .011 | .014 | 0.23 | 0.28 | 0.35 |
| Lead Length | L | .020 | .024 | .030 | 0.50 | 0.60 | 0.75 |
| Tie Bar Width | R | .005 | .007 | .010 | 0.13 | 0.17 | 0.23 |
| Tie Bar Length | Q | .012 | .016 | .026 | 0.30 | 0.40 | 0.65 |
| Chamfer | CH | .009 | .017 | .024 | 0.24 | 0.42 | 0.60 |
| Mold Draft Angle Top | α | | | 12° | | | 12° |

*Controlling Parameter

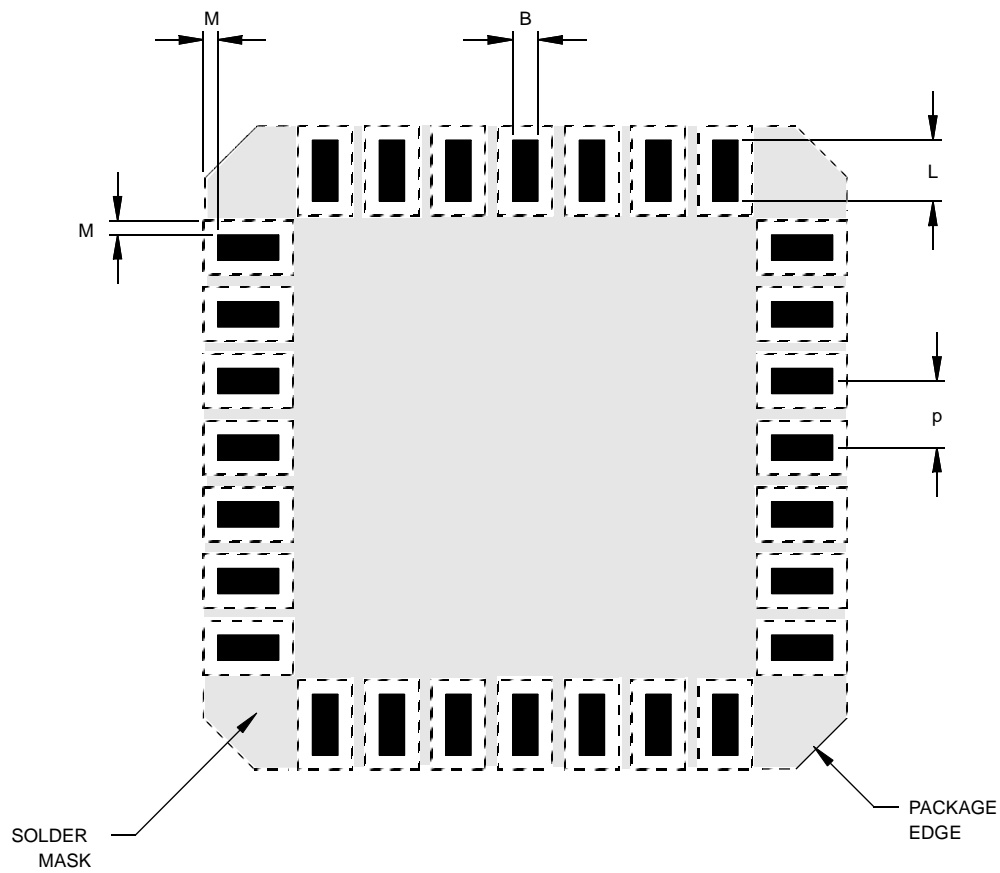
Notes:

Dimensions D and E1 do not include mold flash or protrusions. Mold flash or protrusions shall not exceed .010" (0.254mm) per side.

JEDEC equivalent: pending

Drawing No. C04-114

28-Lead Plastic Micro Leadframe Package (MF) 6x6 mm Body (MLF) (Continued)



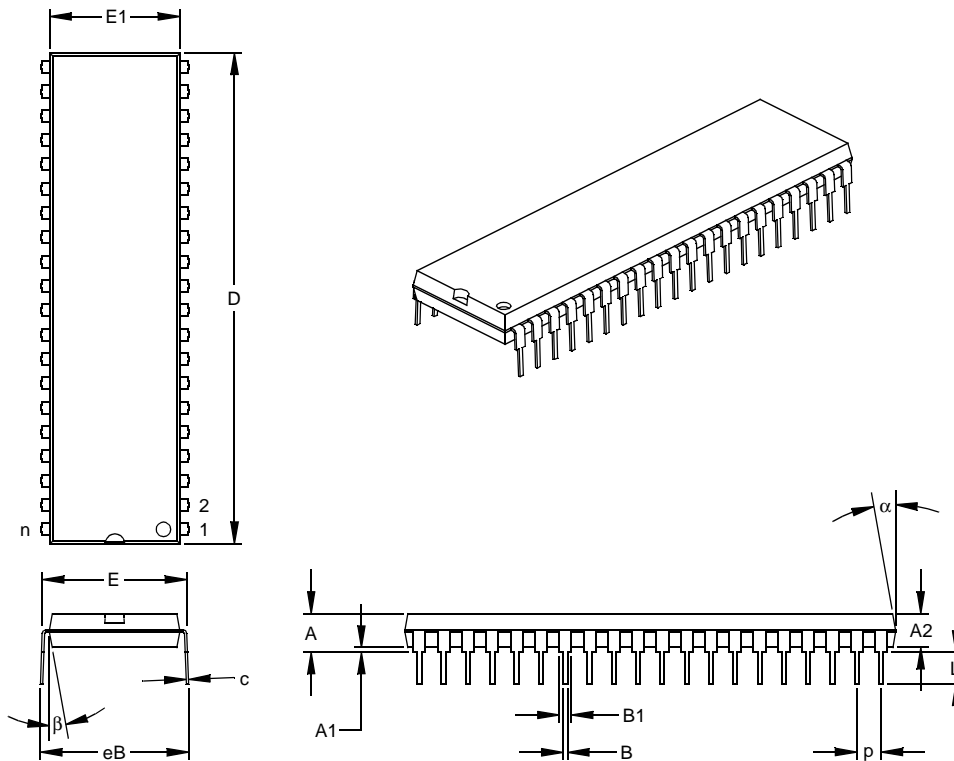
| Units | | INCHES | | | MILLIMETERS* | | |
|--------------------|--------|----------|------|------|--------------|------|------|
| Dimension | Limits | MIN | NOM | MAX | MIN | NOM | MAX |
| Pitch | P | .026 BSC | | | 0.65 BSC | | |
| Pad Width | B | .009 | .011 | .014 | 0.23 | 0.28 | 0.35 |
| Pad Length | L | .020 | .024 | .030 | 0.50 | 0.60 | 0.75 |
| Pad to Solder Mask | M | .005 | | .006 | 0.13 | | 0.15 |

*Controlling Parameter

Drawing No. C04-2114

PIC16F7X

40-Lead Plastic Dual In-line (P) – 600 mil (PDIP)



| Units | | INCHES* | | | MILLIMETERS | | |
|----------------------------|------|---------|-------|-------|-------------|-------|-------|
| Dimension Limits | | MIN | NOM | MAX | MIN | NOM | MAX |
| Number of Pins | n | | 40 | | | 40 | |
| Pitch | p | | .100 | | | 2.54 | |
| Top to Seating Plane | A | .160 | .175 | .190 | 4.06 | 4.45 | 4.83 |
| Molded Package Thickness | A2 | .140 | .150 | .160 | 3.56 | 3.81 | 4.06 |
| Base to Seating Plane | A1 | .015 | | | 0.38 | | |
| Shoulder to Shoulder Width | E | .595 | .600 | .625 | 15.11 | 15.24 | 15.88 |
| Molded Package Width | E1 | .530 | .545 | .560 | 13.46 | 13.84 | 14.22 |
| Overall Length | D | 2.045 | 2.058 | 2.065 | 51.94 | 52.26 | 52.45 |
| Tip to Seating Plane | L | .120 | .130 | .135 | 3.05 | 3.30 | 3.43 |
| Lead Thickness | c | .008 | .012 | .015 | 0.20 | 0.29 | 0.38 |
| Upper Lead Width | B1 | .030 | .050 | .070 | 0.76 | 1.27 | 1.78 |
| Lower Lead Width | B | .014 | .018 | .022 | 0.36 | 0.46 | 0.56 |
| Overall Row Spacing | § eB | .620 | .650 | .680 | 15.75 | 16.51 | 17.27 |
| Mold Draft Angle Top | α | 5 | 10 | 15 | 5 | 10 | 15 |
| Mold Draft Angle Bottom | β | 5 | 10 | 15 | 5 | 10 | 15 |

* Controlling Parameter

§ Significant Characteristic

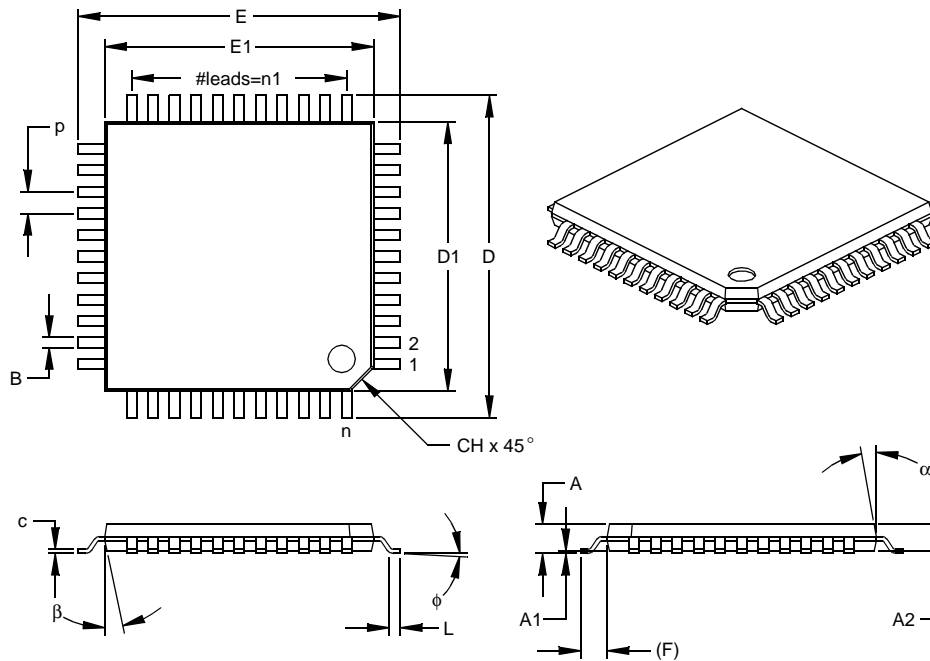
Notes:

Dimensions D and E1 do not include mold flash or protrusions. Mold flash or protrusions shall not exceed .010" (0.254mm) per side.

JEDEC Equivalent: MO-011

Drawing No. C04-016

44-Lead Plastic Thin Quad Flatpack (PT) 10x10x1 mm Body, 1.0/0.10 mm Lead Form (TQFP)



| Dimension Limits | Units | INCHES | | | MILLIMETERS* | | |
|--------------------------|-------|--------|------|------|--------------|-------|-------|
| | | MIN | NOM | MAX | MIN | NOM | MAX |
| Number of Pins | n | | 44 | | | 44 | |
| Pitch | p | | .031 | | | 0.80 | |
| Pins per Side | n1 | | 11 | | | 11 | |
| Overall Height | A | .039 | .043 | .047 | 1.00 | 1.10 | 1.20 |
| Molded Package Thickness | A2 | .037 | .039 | .041 | 0.95 | 1.00 | 1.05 |
| Standoff § | A1 | .002 | .004 | .006 | 0.05 | 0.10 | 0.15 |
| Foot Length | L | .018 | .024 | .030 | 0.45 | 0.60 | 0.75 |
| Footprint (Reference) | (F) | | .039 | | 1.00 | | |
| Foot Angle | φ | 0 | 3.5 | 7 | 0 | 3.5 | 7 |
| Overall Width | E | .463 | .472 | .482 | 11.75 | 12.00 | 12.25 |
| Overall Length | D | .463 | .472 | .482 | 11.75 | 12.00 | 12.25 |
| Molded Package Width | E1 | .390 | .394 | .398 | 9.90 | 10.00 | 10.10 |
| Molded Package Length | D1 | .390 | .394 | .398 | 9.90 | 10.00 | 10.10 |
| Lead Thickness | c | .004 | .006 | .008 | 0.09 | 0.15 | 0.20 |
| Lead Width | B | .012 | .015 | .017 | 0.30 | 0.38 | 0.44 |
| Pin 1 Corner Chamfer | CH | .025 | .035 | .045 | 0.64 | 0.89 | 1.14 |
| Mold Draft Angle Top | α | 5 | 10 | 15 | 5 | 10 | 15 |
| Mold Draft Angle Bottom | β | 5 | 10 | 15 | 5 | 10 | 15 |

* Controlling Parameter
§ Significant Characteristic

Notes:

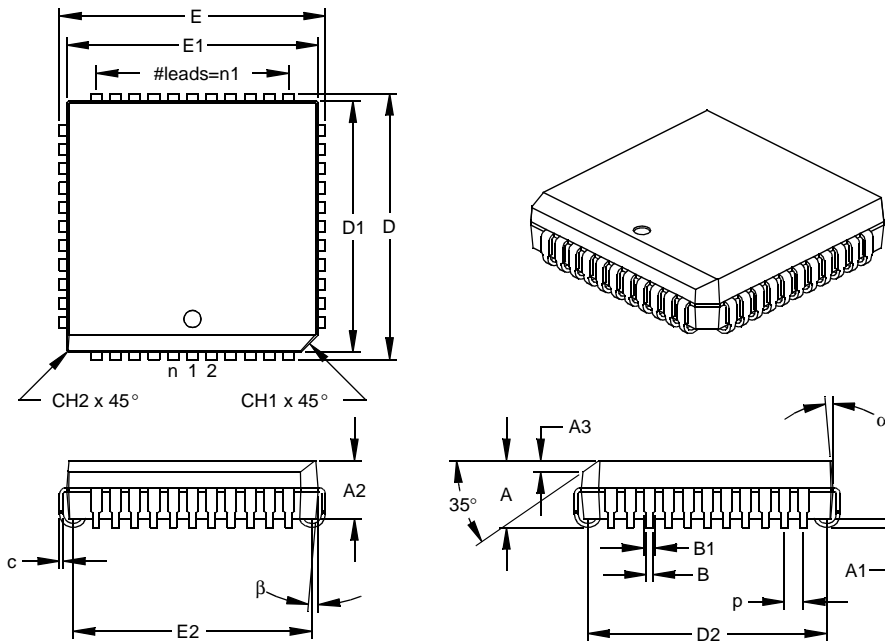
Dimensions D1 and E1 do not include mold flash or protrusions. Mold flash or protrusions shall not exceed .010" (0.254mm) per side.

JEDEC Equivalent: MS-026

Drawing No. C04-076

PIC16F7X

44-Lead Plastic Leaded Chip Carrier (L) – Square (PLCC)



| Dimension Limits | Units | INCHES* | | | MILLIMETERS | | |
|--------------------------|-------|---------|------|------|-------------|-------|-------|
| | | MIN | NOM | MAX | MIN | NOM | MAX |
| Number of Pins | n | | 44 | | | 44 | |
| Pitch | p | | .050 | | | 1.27 | |
| Pins per Side | n1 | | 11 | | | 11 | |
| Overall Height | A | .165 | .173 | .180 | 4.19 | 4.39 | 4.57 |
| Molded Package Thickness | A2 | .145 | .153 | .160 | 3.68 | 3.87 | 4.06 |
| Standoff § | A1 | .020 | .028 | .035 | 0.51 | 0.71 | 0.89 |
| Side 1 Chamfer Height | A3 | .024 | .029 | .034 | 0.61 | 0.74 | 0.86 |
| Corner Chamfer 1 | CH1 | .040 | .045 | .050 | 1.02 | 1.14 | 1.27 |
| Corner Chamfer (others) | CH2 | .000 | .005 | .010 | 0.00 | 0.13 | 0.25 |
| Overall Width | E | .685 | .690 | .695 | 17.40 | 17.53 | 17.65 |
| Overall Length | D | .685 | .690 | .695 | 17.40 | 17.53 | 17.65 |
| Molded Package Width | E1 | .650 | .653 | .656 | 16.51 | 16.59 | 16.66 |
| Molded Package Length | D1 | .650 | .653 | .656 | 16.51 | 16.59 | 16.66 |
| Footprint Width | E2 | .590 | .620 | .630 | 14.99 | 15.75 | 16.00 |
| Footprint Length | D2 | .590 | .620 | .630 | 14.99 | 15.75 | 16.00 |
| Lead Thickness | c | .008 | .011 | .013 | 0.20 | 0.27 | 0.33 |
| Upper Lead Width | B1 | .026 | .029 | .032 | 0.66 | 0.74 | 0.81 |
| Lower Lead Width | B | .013 | .020 | .021 | 0.33 | 0.51 | 0.53 |
| Mold Draft Angle Top | α | 0 | 5 | 10 | 0 | 5 | 10 |
| Mold Draft Angle Bottom | β | 0 | 5 | 10 | 0 | 5 | 10 |

* Controlling Parameter

§ Significant Characteristic

Notes:

Dimensions D and E1 do not include mold flash or protrusions. Mold flash or protrusions shall not exceed .010" (0.254mm) per side.

JEDEC Equivalent: MO-047

Drawing No. C04-048

APPENDIX A: REVISION HISTORY

| Version | Date | Revision Description |
|---------|------|--|
| A | 2000 | This is a new data sheet. However, these devices are similar to the PIC16C7X devices found in the PIC16C7X Data Sheet (DS30390) or the PIC16F87X devices (DS30292). |
| B | 2001 | Final data sheet. Includes device characterization data. Addition of extended temperature devices. Addition of 28-pin MLF package. Minor typographic revisions throughout. |

APPENDIX B: DEVICE DIFFERENCES

The differences between the devices in this data sheet are listed in Table B-1.

TABLE B-1: DEVICE DIFFERENCES

| Difference | PIC16F73 | PIC16F74 | PIC16F76 | PIC16F77 |
|-------------------------------------|---|---|---|---|
| FLASH Program Memory (14-bit words) | 4K | 4K | 8K | 8K |
| Data Memory (bytes) | 192 | 192 | 368 | 368 |
| I/O Ports | 3 | 5 | 3 | 5 |
| A/D | 5 channels, 8 bits | 8 channels, 8 bits | 5 channels, 8 bits | 8 channels, 8 bits |
| Parallel Slave Port | no | yes | no | yes |
| Interrupt Sources | 11 | 12 | 11 | 12 |
| Packages | 28-pin PDIP 28-pin SOIC 28-pin SSOP 28-pin MLF | 40-pin PDIP 44-pin TQFP 44-pin PLCC | 28-pin PDIP 28-pin SOIC 28-pin SSOP 28-pin MLF | 40-pin PDIP 44-pin TQFP 44-pin PLCC |

PIC16F7X

APPENDIX C: CONVERSION CONSIDERATIONS

Considerations for converting from previous versions of devices to the ones listed in this data sheet are listed in Table C-1.

TABLE C-1: CONVERSION CONSIDERATIONS

| Characteristic | PIC16C7X | PIC16F87X | PIC16F7X |
|----------------|--|---|--|
| Pins | 28/40 | 28/40 | 28/40 |
| Timers | 3 | 3 | 3 |
| Interrupts | 11 or 12 | 13 or 14 | 11 or 12 |
| Communication | PSP, USART, SSP (SPI, I ² C Slave) | PSP, USART, SSP (SPI, I ² C Master/Slave) | PSP, USART, SSP (SPI, I ² C Slave) |
| Frequency | 20 MHz | 20 MHz | 20 MHz |
| A/D | 8-bit | 10-bit | 8-bit |
| CCP | 2 | 2 | 2 |
| Program Memory | 4K, 8K EPROM | 4K, 8K FLASH (1,000 E/W cycles) | 4K, 8K FLASH (100 E/W cycles typical) |
| RAM | 192, 368 bytes | 192, 368 bytes | 192, 368 bytes |
| EEPROM Data | None | 128, 256 bytes | None |
| Other | — | In-Circuit Debugger, Low Voltage Programming | — |

INDEX

A

A/D

| | |
|---|---------------|
| A/D Conversion Status (GO/DONE Bit) | 83 |
| Acquisition Requirements | 86 |
| ADCON0 Register | 83 |
| ADCON1 Register | 83 |
| ADRES Register | 83 |
| Analog Port Pins | 8, 10, 12, 39 |
| Analog-to-Digital Converter | 83 |
| Associated Registers | 88 |
| Configuring Analog Port Pins | 87 |
| Configuring the Interrupt | 85 |
| Configuring the Module | 85 |
| Conversion Clock | 87 |
| Conversion Requirements | 139 |
| Conversions | 87 |
| Converter Characteristics | 138 |
| Effects of a RESET | 87 |
| Faster Conversion - Lower Resolution | |
| Trade-off | 87 |
| Internal Sampling Switch (Rss) Impedance | 86 |
| Operation During SLEEP | 87 |
| Source Impedance | 86 |
| Using the CCP Trigger | 88 |
| Absolute Maximum Ratings | 119 |
| ACK Pulse | 65, 66 |
| ADCON0 Register | 83 |
| GO/DONE Bit | 83 |
| ADCON1 Register | 83 |
| ADRES Register | 83 |
| Analog Port Pins. See A/D | |
| Application Notes | |
| AN552 (Implementing Wake-up on Key Strokes Using PIC16F7X) | 33 |
| AN556 (Implementing a Table Read) | 26 |
| AN578 (Use of the SSP Module in the I ² C Multi-Master Environment) | 59 |
| AN607 (Power-up Trouble Shooting) | 94 |
| Assembler | |
| MPASM Assembler | 113 |

B

| | |
|---|----|
| Banking, Data Memory | 13 |
| BF bit | 60 |
| Block Diagrams | |
| A/D | 85 |
| Analog Input Model | 86 |
| Capture Mode Operation | 55 |
| Compare | 55 |
| Crystal/Ceramic Resonator Operation (HS, XT or LP Osc Configuration) | 91 |
| External Clock Input Operation (HS Osc Configuration) | 91 |
| Interrupt Logic | 99 |
| PIC16F73 and PIC16F76 | 6 |
| PIC16F74 and PIC16F77 | 7 |
| PORTA | |
| RA3:RA0 and RA5 Port Pins | 31 |
| RA4/T0CKI Pin | 31 |
| PORTB | |
| RB3:RB0 Port Pins | 33 |
| RB7:RB4 Port Pins | 33 |
| PORTC (Peripheral Output Override) | 35 |

| | |
|---|--------------------|
| PORTD (In I/O Port Mode) | 36 |
| PORTD and PORTE (Parallel Slave Port) | 40 |
| PORTE (In I/O Port Mode) | 37 |
| PWM Mode | 57 |
| RC Oscillator Mode | 92 |
| Recommended MCLR Circuit | 94 |
| Reset Circuit | 93 |
| SSP (I ² C Mode) | 65 |
| SSP (SPI Mode) | 62 |
| Timer0/WDT Prescaler | 43 |
| Timer1 | 48 |
| Timer2 | 51 |
| Typical In-Circuit Serial Programming Connection | 103 |
| USART | |
| Receive | 75 |
| USART Transmit | 73 |
| Watchdog Timer (WDT) | 101 |
| BOR. See Brown-out Reset | |
| BRGH bit | 71 |
| Brown-out Reset (BOR) | 89, 93, 94, 95, 96 |

C

| | |
|--|--------|
| Capture/Compare/PWM (CCP) | |
| Associated Registers | 56, 58 |
| Capture Mode | 55 |
| Prescaler | 55 |
| CCP Pin Configuration | 55, 56 |
| CCP1 | |
| RC2/CCP1 Pin | 9, 11 |
| CCP2 | |
| RC1/T1OSI/CCP2 Pin | 9, 11 |
| Compare Mode | 55 |
| Software Interrupt Mode | 56 |
| Special Trigger Output | 56 |
| Timer1 Mode Selection | 56 |
| Example PWM Frequencies and Resolutions | 58 |
| Interaction of Two CCP Modules | 53 |
| PWM Duty Cycle | 57 |
| PWM Mode | 57 |
| PWM Period | 57 |
| Setup for PWM Operation | 58 |
| Special Event Trigger and A/D Conversions | 56 |
| Timer Resources | 53 |
| CCP1 Module | 53 |
| CCP2 Module | 53 |
| CCPR1H Register | 53 |
| CCPR1L Register | 53 |
| CCPxM<3:0> bits | 54 |
| CCPxX and CCPxY bits | 54 |
| CKE bit | 60 |
| CKP bit | 61 |
| Code Examples | |
| Call of a Subroutine in Page 1 from Page 0 | 26 |
| Changing Between Capture Prescalers | 55 |
| Changing Prescaler Assignment to Timer0 | 45 |
| Changing Prescaler Assignment to WDT | 45 |
| FLASH Program Read | 30 |
| Indirect Addressing | 27 |
| Initializing PORTA | 31 |
| Reading a 16-bit Free-Running Timer | 49 |
| Saving STATUS, W, and PCLATH Registers in RAM | 100 |
| Writing a 16-bit Free-Running Timer | 49 |

PIC16F7X

| | | | |
|--|---------|---|-------------|
| Code Protection | 89, 103 | CLRWDT | 108 |
| Computed GOTO | 26 | COMF | 108 |
| Configuration Bits | 89 | DECFSZ | 108 |
| Continuous Receive Enable (CREN Bit) | 70 | DECFSZ | 109 |
| Conversion Considerations | 162 | GOTO | 109 |
| D | | INCF | 109 |
| D/A bit | 60 | INCFSZ | 109 |
| Data Memory | 13 | IORLW | 109 |
| Bank Select (RP1:RP0 bits) | 13 | IORWF | 109 |
| General Purpose Registers | 13 | MOVF | 110 |
| Register File Map, PIC16F74/73 | 15 | MOVLW | 110 |
| Register File Map, PIC16F77/76 | 14 | MOVWF | 110 |
| Special Function Registers | 16 | NOP | 110 |
| Data/Address bit (D/A) | 60 | RETFIE | 110 |
| DC and AC Characteristics | | RETLW | 110 |
| Graphs and Tables | 141 | RETURN | 111 |
| DC Characteristics | 121 | RLF | 111 |
| Development Support | 113 | RRF | 111 |
| Device Differences | 161 | SLEEP | 111 |
| Device Overview | 5 | SUBLW | 111 |
| Features | 5 | SUBWF | 111 |
| Direct Addressing | 27 | SWAPF | 112 |
| E | | XORLW | 112 |
| Electrical Characteristics | 119 | XORWF | 112 |
| Errata | 4 | Summary Table | 106 |
| External Clock Input (RA4/T0CKI). <i>See</i> Timer0 | | INT Interrupt (RB0/INT). <i>See</i> Interrupt Sources | |
| External Interrupt Input (RB0/INT). <i>See</i> Interrupt Sources | | INTCON Register | 21 |
| F | | GIE bit | 21 |
| Firmware Instructions | 105 | INTE bit | 21 |
| FSR Register | 27 | INTF bit | 21 |
| I | | RBIF bit | 21, 33 |
| I/O Ports | 31 | TMR0IE bit | 21 |
| i ² C Mode | | Inter-Integrated Circuit (I ² C). <i>See</i> I ² C Mode | |
| Addressing | 66 | Interrupt Sources | 89, 99 |
| Associated Registers | 68 | Interrupt-on-Change (RB7:RB4) | 33 |
| Master Mode | 68 | RB0/INT Pin, External | 9, 11, 100 |
| Mode Selection | 65 | TMR0 Overflow | 100 |
| Multi-Master Mode | 68 | USART Receive/Transmit Complete | 69 |
| Operation | 65 | Interrupts | |
| Reception | 66 | Synchronous Serial Port Interrupt | 23 |
| Slave Mode | | Interrupts, Context Saving During | 100 |
| SCL and SDA pins | 65 | Interrupts, Enable bits | |
| Transmission | 67 | Global Interrupt Enable (GIE bit) | 21, 99 |
| ICEPIC In-Circuit Emulator | 114 | Interrupt-on-Change (RB7:RB4) Enable (RBIE bit) .. | 100 |
| ID Locations | 103 | RB0/INT Enable (INTE bit) | 21 |
| In-Circuit Serial Programming (ICSP) | 103 | TMR0 Overflow Enable (TMR0IE bit) | 21 |
| INDF Register | 27 | Interrupts, Flag bits | |
| Indirect Addressing | 27 | Interrupt-on Change (RB7:RB4) Flag | |
| FSR Register | 13 | (RBIF bit) | 21 |
| Instruction Format | 105 | Interrupt-on-Change (RB7:RB4) Flag | |
| Instruction Set | 105 | (RBIF bit) | 21, 33, 100 |
| ADDLW | 107 | RB0/INT Flag (INTF bit) | 21 |
| ADDWF | 107 | TMR0 Overflow Flag (TMR0IF bit) | 100 |
| ANDLW | 107 | K | |
| ANDWF | 107 | KEELOQ Evaluation and Programming Tools | 116 |
| BCF | 107 | L | |
| BSF | 107 | Load Conditions | 125 |
| BTFSC | 107 | Loading of PC | 26 |
| BTFSS | 107 | | |
| CALL | 108 | | |
| CLRF | 108 | | |
| CLRWF | 108 | | |

M

| | |
|--|------------|
| Master Clear (<u>MCLR</u>) | 8, 10 |
| <u>MCLR</u> Reset, Normal Operation | 93, 95, 96 |
| <u>MCLR</u> Reset, SLEEP | 93, 95, 96 |
| Operation and ESD Protection | 94 |
| <u>MCLR/VPP</u> Pin | 8 |
| <u>MCLR/VPP</u> Pin | 10 |
| Memory Organization | 13 |
| Data Memory | 13 |
| Program Memory | 13 |
| Program Memory and Stack Maps | 13 |
| MPLAB C17 and MPLAB C18 C Compilers | 113 |
| MPLAB ICD In-Circuit Debugger | 115 |
| MPLAB ICE High Performance Universal In-Circuit Emulator with MPLAB IDE | 114 |
| MPLAB Integrated Development Environment Software | 113 |
| MPLINK Object Linker/MPLIB Object Librarian | 114 |

O

| | |
|---|------------|
| OPCODE Field Descriptions | 105 |
| OPTION_REG Register | 20 |
| INTEDG bit | 20 |
| PS2:PS0 bits | 20 |
| PSA bit | 20 |
| RBPU bit | 20 |
| T0CS bit | 20 |
| T0SE bit | 20 |
| OSC1/CLKI Pin | 8, 10 |
| OSC2/CLKO Pin | 8, 10 |
| Oscillator Configuration | 89 |
| Oscillator Configurations | 91 |
| Crystal Oscillator/Ceramic Resonators | 91 |
| HS | 91, 95 |
| LP | 91, 95 |
| RC | 91, 92, 95 |
| XT | 91, 95 |
| Oscillator, WDT | 101 |

P

| | |
|--|--------|
| P (STOP) bit | 60 |
| Packaging | 151 |
| Paging, Program Memory | 26 |
| Parallel Slave Port Associated Registers | 41 |
| Parallel Slave Port (PSP) | 36, 40 |
| RE0/ <u>RD</u> /AN5 Pin | 12, 39 |
| RE1/ <u>WR</u> /AN6 Pin | 12, 39 |
| RE2/ <u>CS</u> /AN7 Pin | 12, 39 |
| Select (PSPMODE bit) | 36, 37 |
| PCFG0 bit | 84 |
| PCFG1 bit | 84 |
| PCFG2 bit | 84 |
| PCL Register | 26 |
| PCLATH Register | 26 |
| PCON Register | 25, 95 |
| <u>POR</u> Bit | 25 |
| PICDEM 1 Low Cost PICmicro Demonstration Board | 115 |
| PICDEM 17 Demonstration Board | 116 |
| PICDEM 2 Low Cost PIC16CXX Demonstration Board | 115 |
| PICDEM 3 Low Cost PIC16CXXX Demonstration Board | 116 |

| | |
|---|---------------|
| PICSTART Plus Entry Level Development Programmer | 115 |
| PIE1 Register | 22 |
| PIE2 Register | 24 |
| Pinout Descriptions PIC16F73/PIC16F76 | 8–9 |
| PIC16F74/PIC16F77 | 10–12 |
| PIR1 Register | 23 |
| PIR2 Register | 24 |
| PMADR Register | 29 |
| PMADRH Register | 29 |
| POP | 26 |
| POR. See Power-on Reset | |
| PORTA | 8, 10 |
| Analog Port Pins | 8, 10 |
| Associated Registers | 32 |
| PORTA Register | 31 |
| RA4/ <u>T0CKI</u> Pin | 8, 10 |
| RA5/ <u>SS</u> /AN4 Pin | 8, 10 |
| TRISA Register | 31 |
| PORTA Register | 31 |
| PORTB | 9, 11 |
| Associated Registers | 34 |
| PORTB Register | 33 |
| Pull-up Enable (<u>RBPU</u> bit) | 20 |
| RB0/INT Edge Select (INTEDG bit) | 20 |
| RB0/INT Pin, External | 9, 11, 100 |
| RB7:RB4 Interrupt-on-Change | 100 |
| RB7:RB4 Interrupt-on-Change Enable (RBIE bit) | 100 |
| RB7:RB4 Interrupt-on-Change Flag (RBIF bit) | 21, 33, 100 |
| TRISB Register | 33 |
| PORTB Register | 33 |
| PORTC | 9, 11 |
| Associated Registers | 35 |
| PORTC Register | 35 |
| RC0/T1OSO/T1CKI Pin | 9, 11 |
| RC1/T1OSI/CCP2 Pin | 9, 11 |
| RC2/CCP1 Pin | 9, 11 |
| RC3/SCK/SCL Pin | 9, 11 |
| RC4/SDI/SDA Pin | 9, 11 |
| RC5/SDO Pin | 9, 11 |
| RC6/TX/CK Pin | 9, 11, 70 |
| RC7/RX/DT Pin | 9, 11, 70, 71 |
| TRISC Register | 35 |
| PORTC Register | 35 |
| PORTD | 12 |
| Associated Registers | 36 |
| Parallel Slave Port (PSP) Function | 36 |
| PORTD Register | 36 |
| TRISD Register | 36 |
| PORTD Register | 36 |
| PORTE | 12 |
| Analog Port Pins | 12, 39 |
| Associated Registers | 39 |
| Input Buffer Full Status (IBF bit) | 38 |
| Input Buffer Overflow (IBOV bit) | 38 |
| PORTE Register | 37 |
| PSP Mode Select (PSPMODE bit) | 36, 37 |
| RE0/ <u>RD</u> /AN5 Pin | 12, 39 |
| RE1/ <u>WR</u> /AN6 Pin | 12, 39 |
| RE2/ <u>CS</u> /AN7 Pin | 12, 39 |
| TRISE Register | 37 |

PIC16F7X

| | | | |
|---|----------------|--|--------|
| PORTE Register | 37 | RCSTA Register | |
| Postscaler, WDT | | CREN bit | 70 |
| Assignment (PSA bit) | 20 | OERR bit | 70 |
| Rate Select (PS2:PS0 bits) | 20 | SPEN bit | 69 |
| Power-down Mode. See SLEEP | | SREN bit | 70 |
| Power-on Reset (POR) | 89, 93, 95, 96 | RD0/PSP0 Pin | 12 |
| Oscillator Start-up Timer (OST) | 89, 94 | RD1/PSP1 Pin | 12 |
| POR Status ($\overline{\text{POR}}$ bit) | 25 | RD2/PSP2 Pin | 12 |
| Power Control (PCON) Register | 95 | RD3/PSP3 Pin | 12 |
| Power-down ($\overline{\text{PD}}$ bit) | 93 | RD4/PSP4 Pin | 12 |
| Power-up Timer (PWRT) | 89, 94 | RD5/PSP5 Pin | 12 |
| Time-out (TO bit) | 19, 93 | RD6/PSP6 Pin | 12 |
| PR2 Register | 51 | RD7/PSP7 Pin | 12 |
| Prescaler, Timer0 | | RE0/ $\overline{\text{RD}}$ /AN5 Pin | 12 |
| Assignment (PSA bit) | 20 | RE1/ $\overline{\text{WR}}$ /AN6 Pin | 12 |
| Rate Select (PS2:PS0 bits) | 20 | RE2/ $\overline{\text{CS}}$ /AN7 Pin | 12 |
| PRO MATE II Universal Device Programmer | 115 | Read-Modify-Write Operations | 105 |
| Program Counter | | Receive Overflow Indicator bit (SSPOV) | 61 |
| RESET Conditions | 95 | Register File | 13 |
| Program Memory | 29 | Registers | |
| Associated Registers | 30 | ADCON0 (A/D Control 0) | 83 |
| Interrupt Vector | 13 | ADCON0 (A/D Control 0) Register | 83 |
| Memory and Stack Maps | 13 | ADCON1 (A/D Control 1) | 83 |
| Operation During Code Protect | 30 | ADCON1 (A/D Control 1) Register | 84 |
| Organization | 13 | ADRES (A/D Result) | 83 |
| Paging | 26 | CCP1CON/CCP2CON (CCP Control) Registers | 54 |
| PMADR Register | 29 | Configuration Word Register | 90 |
| PMADRH Register | 29 | Initialization Conditions (table) | 96–97 |
| Reading FLASH | 30 | INTCON (Interrupt Control) | 21 |
| Reading, PMADR Register | 29 | INTCON (Interrupt Control) Register | 21 |
| Reading, PMADRH Register | 29 | OPTION_REG | 20 |
| Reading, PMCON1 Register | 29 | OPTION_REG Register | 20, 44 |
| Reading, PMDATA Register | 29 | PCON (Power Control) | 25 |
| Reading, PMDATH Register | 29 | PCON (Power Control) Register | 25 |
| RESET Vector | 13 | PIE1 (Peripheral Interrupt Enable 1) | 22 |
| Program Verification | 103 | PIE1 (Peripheral Interrupt Enable 1) Register | 22 |
| Programming Pin (VPP) | 8, 10 | PIE2 (Peripheral Interrupt Enable 2) | 24 |
| Programming, Device Instructions | 105 | PIE2 (Peripheral Interrupt Enable 2) Register | 24 |
| PUSH | 26 | PIR1 (Peripheral Interrupt Request 1) | 23 |
| R | | PIR1 (Peripheral Interrupt Request 1) Register | 23 |
| $\overline{\text{R}}$ bit | 60, 66, 67 | PIR2 (Peripheral Interrupt Request 2) | 24 |
| RA0/AN0 Pin | 8, 10 | PIR2 (Peripheral Interrupt Request 2) Register | 24 |
| RA1/AN1 Pin | 8, 10 | PMCON1 (Program Memory Control 1) | |
| RA2/AN2 Pin | 8, 10 | Register | 29 |
| RA3/AN3/VREF Pin | 8, 10 | RCSTA (Receive Status and Control) Register | 70 |
| RA4/T0CKI Pin | 8, 10 | Special Function, Summary | 16–18 |
| RA5/ $\overline{\text{SS}}$ /AN4 Pin | 8, 10 | SSPCON (Sync Serial Port Control) Register | 61 |
| RAM. See Data Memory | | SSPSTAT (Sync Serial Port Status) Register | 60 |
| RB0/INT Pin | 9, 11 | STATUS Register | 19 |
| RB1 Pin | 9, 11 | T1CON (Timer 1 Control) Register | 47 |
| RB2 Pin | 9, 11 | T2CON (Timer2 Control) Register | 52 |
| RB3/PGM Pin | 9, 11 | TRISE Register | 38 |
| RB4 Pin | 9, 11 | TXSTA (Transmit Status and Control) Register | 69 |
| RB5 Pin | 9, 11 | RESET | 89, 93 |
| RB6/PGC Pin | 9, 11 | Brown-out Reset (BOR). See Brown-out Reset (BOR) | |
| RB7/PGD Pin | 9, 11 | MCLR Reset. See MCLR | |
| RC0/T1OSO/T1CKI Pin | 9, 11 | Power-on Reset (POR). See Power-on Reset (POR) | |
| RC1/T1OSI/CCP2 Pin | 9, 11 | RESET Conditions for All Registers | 96 |
| RC2/CCP1 Pin | 9, 11 | RESET Conditions for PCON Register | 95 |
| RC3/SCK/SCL Pin | 9, 11 | RESET Conditions for Program Counter | 95 |
| RC4/SDI/SDA Pin | 9, 11 | RESET Conditions for STATUS Register | 95 |
| RC5/SDO Pin | 9, 11 | RESET | |
| RC6/TX/CK Pin | 9, 11 | WDT Reset. See Watchdog Timer (WDT) | |
| RC7/RX/DT Pin | 9, 11 | Revision History | 161 |

S

| | |
|---|-------------|
| S (START) bit | 60 |
| SCI. See USART | |
| SCL | 65 |
| Serial Communication Interface. See USART | |
| SLEEP | 89, 93, 102 |
| SMP bit | 60 |
| Software Simulator (MPLAB SIM) | 114 |
| Special Features of the CPU | 89 |
| Special Function Registers | 16, 16–18 |
| Speed, Operating | 1 |
| SPI Mode | 59 |
| Associated Registers | 64 |
| Serial Clock (SCK pin) | 59 |
| Serial Data In (SDI pin) | 59 |
| Serial Data Out (SDO pin) | 59 |
| Slave Select | 59 |
| SSP | |
| Overview | |
| RA5/SS/AN4 Pin | 8, 10 |
| RC3/SCK/SCL Pin | 9, 11 |
| RC4/SDI/SDA Pin | 9, 11 |
| RC5/SDO Pin | 9, 11 |
| SSP I ² C Operation | 65 |
| Slave Mode | 65 |
| SSPEN bit | 61 |
| SSPIF bit | 23 |
| SSPM<3:0> bits | 61 |
| SSPOV bit | 61 |
| Stack | 26 |
| Overflows | 26 |
| Underflow | 26 |
| STATUS Register | |
| DC Bit | 19 |
| IRP Bit | 19 |
| PD Bit | 93 |
| TO Bit | 19, 93 |
| Z Bit | 19 |
| Synchronous Serial Port Enable bit (SSPEN) | 61 |
| Synchronous Serial Port Interrupt bit (SSPIF) | 23 |
| Synchronous Serial Port Mode Select bits (SSPM<3:0>) | 61 |
| Synchronous Serial Port. See SSP | |

T

| | |
|---|-------|
| T1CKPS0 bit | 47 |
| T1CKPS1 bit | 47 |
| T1OSCEN bit | 47 |
| T1SYNC bit | 47 |
| T2CKPS0 bit | 52 |
| T2CKPS1 bit | 52 |
| TAD | 87 |
| Time-out Sequence | 94 |
| Timer0 | 43 |
| Associated Registers | 45 |
| Clock Source Edge Select (TOSE bit) | 20 |
| Clock Source Select (T0CS bit) | 20 |
| External Clock | 44 |
| Interrupt | 43 |
| Overflow Enable (TMR0IE bit) | 21 |
| Overflow Flag (TMR0IF bit) | 100 |
| Overflow Interrupt | 100 |
| Prescaler | 45 |
| RA4/T0CKI Pin, External Clock | 8, 10 |
| T0CKI | 44 |

| | |
|--|-------|
| Timer1 | 47 |
| Associated Registers | 50 |
| Asynchronous Counter Mode | 49 |
| Capacitor Selection | 50 |
| Counter Operation | 48 |
| Operation in Timer Mode | 48 |
| Oscillator | 50 |
| Prescaler | 50 |
| RC0/T1OSO/T1CKI Pin | 9, 11 |
| RC1/T1OSI/CCP2 Pin | 9, 11 |
| Resetting of Timer1 Registers | 50 |
| Resetting Timer1 using a CCP Trigger Output | 50 |
| Synchronized Counter Mode | 48 |
| TMR1H Register | 49 |
| TMR1L Register | 49 |
| Timer2 | 51 |
| Associated Registers | 52 |
| Output | 51 |
| Postscaler | 51 |
| Prescaler | 51 |
| Prescaler and Postscaler | 51 |
| Timing Diagrams | |
| A/D Conversion | 139 |
| Brown-out Reset | 128 |
| Capture/Compare/PWM (CCP1 and CCP2) | 130 |
| CLKOUT and I/O | 127 |
| External Clock | 126 |
| I ² C Bus Data | 135 |
| I ² C Bus START/STOP bits | 134 |
| I ² C Reception (7-bit Address) | 67 |
| I ² C Transmission (7-bit Address) | 67 |
| Parallel Slave Port | 131 |
| Parallel Slave Port Read Waveforms | 41 |
| Parallel Slave Port Write Waveforms | 41 |
| Power-up Timer | 128 |
| PWM Output | 57 |
| RESET | 128 |
| Slow Rise Time (MCLR Tied to VDD Through RC Network) | 98 |
| SPI Master Mode (CKE = 0, SMP = 0) | 132 |
| SPI Master Mode (CKE = 1, SMP = 1) | 132 |
| SPI Mode (Master Mode) | 63 |
| SPI Mode (Slave Mode with CKE = 0) | 63 |
| SPI Mode (Slave Mode with CKE = 1) | 63 |
| SPI Slave Mode (CKE = 0) | 133 |
| SPI Slave Mode (CKE = 1) | 133 |
| Start-up Timer | 128 |
| Time-out Sequence on Power-up (MCLR Not Tied to VDD) | |
| Case 1 | 98 |
| Case 2 | 98 |
| Time-out Sequence on Power-up (MCLR Tied to VDD Through RC Network) | 97 |
| Timer0 | 129 |
| Timer1 | 129 |
| USART Asynchronous Master Transmission | 74 |
| USART Asynchronous Master Transmission (Back to Back) | 74 |
| USART Asynchronous Reception | 76 |
| USART Synchronous Receive (Master/Slave) | 137 |
| USART Synchronous Reception (Master Mode, SREN) | 79 |
| USART Synchronous Transmission | 78 |
| USART Synchronous Transmission (Master/Slave) | 137 |

PIC16F7X

| | |
|--|--------|
| USART Synchronous Transmission (Through TXEN) | 78 |
| Wake-up from SLEEP via Interrupt | 103 |
| Watchdog Timer | 128 |
| Timing Parameter Symbology | 125 |
| Timing Requirements | |
| Capture/Compare/PWM (CCP1 and CCP2) | 130 |
| CLKOUT and I/O | 127 |
| External Clock | 126 |
| I ² C Bus Data | 136 |
| I2C Bus START/STOP Bits | 135 |
| Parallel Slave Port | 131 |
| RESET, Watchdog Timer, Oscillator Start-up Timer, Power-up Timer and Brown-out Reset | 128 |
| SPI Mode | 134 |
| Timer0 and Timer1 External Clock | 129 |
| USART Synchronous Receive | 137 |
| USART Synchronous Transmission | 137 |
| TMR1CS bit | 47 |
| TMR1ON bit | 47 |
| TMR2ON bit | 52 |
| TOUTPS<3:0> bits | 52 |
| TRISA Register | 31 |
| TRISB Register | 33 |
| TRISC Register | 35 |
| TRISD Register | 36 |
| TRISE Register | 37 |
| IBF Bit | 38 |
| IBOV Bit | 38 |
| PSPMODE bit | 36, 37 |
| TXSTA Register | |
| SYNC bit | 69 |
| TRMT bit | 69 |
| TX9 bit | 69 |
| TX9D bit | 69 |
| TXEN bit | 69 |

U

| | |
|--|----|
| UA | 60 |
| Universal Synchronous Asynchronous Receiver Transmitter. <i>See</i> USART | |
| Update Address bit, UA | 60 |
| USART | 69 |
| Asynchronous Mode | 73 |
| Asynchronous Receiver | 75 |
| Asynchronous Reception | 76 |
| Associated Registers | 76 |
| Asynchronous Transmission Associated Registers | 74 |
| Asynchronous Transmitter | 73 |

| | |
|---|-------|
| Baud Rate Generator (BRG) | 71 |
| Baud Rate Formula | 71 |
| Baud Rates, Asynchronous Mode (BRGH = 0) | 72 |
| Baud Rates, Asynchronous Mode (BRGH = 1) | 72 |
| Sampling | 71 |
| Mode Select (SYNC Bit) | 69 |
| Overrun Error (OERR Bit) | 70 |
| RC6/TX/CK Pin | 9, 11 |
| RC7/RX/DT Pin | 9, 11 |
| Serial Port Enable (SPEN Bit) | 69 |
| Single Receive Enable (SREN Bit) | 70 |
| Synchronous Master Mode | 77 |
| Synchronous Master Reception | 79 |
| Associated Registers | 80 |
| Synchronous Master Transmission | 77 |
| Associated Registers | 78 |
| Synchronous Slave Mode | 80 |
| Synchronous Slave Reception | 81 |
| Associated Registers | 81 |
| Synchronous Slave Transmission | 80 |
| Associated Registers | 81 |
| Transmit Data, 9th Bit (TX9D) | 69 |
| Transmit Enable (TXEN bit) | 69 |
| Transmit Enable, Nine-bit (TX9 bit) | 69 |
| Transmit Shift Register Status (TRMT bit) | 69 |

W

| | |
|--|------------|
| Wake-up from SLEEP | 89, 102 |
| Interrupts | 95, 96 |
| MCLR Reset | 96 |
| WDT Reset | 96 |
| Wake-up Using Interrupts | 102 |
| Watchdog Timer (WDT) | 89, 101 |
| Associated Registers | 101 |
| Enable (WDTE Bit) | 101 |
| Postscaler. <i>See</i> Postscaler, WDT Programming Considerations | 101 |
| RC Oscillator | 101 |
| Time-out Period | 101 |
| WDT Reset, Normal Operation | 93, 95, 96 |
| WDT Reset, SLEEP | 93, 95, 96 |
| WCOL bit | 61 |
| Write Collision Detect bit (WCOL) | 61 |
| WWW, On-Line Support | 4 |

ON-LINE SUPPORT

Microchip provides on-line support on the Microchip World Wide Web (WWW) site.

The web site is used by Microchip as a means to make files and information easily available to customers. To view the site, the user must have access to the Internet and a web browser, such as Netscape or Microsoft Explorer. Files are also available for FTP download from our FTP site.

Connecting to the Microchip Internet Web Site

The Microchip web site is available by using your favorite Internet browser to attach to:

www.microchip.com

The file transfer site is available by using an FTP service to connect to:

<ftp://ftp.microchip.com>

The web site and file transfer site provide a variety of services. Users may download files for the latest Development Tools, Data Sheets, Application Notes, User's Guides, Articles and Sample Programs. A variety of Microchip specific business information is also available, including listings of Microchip sales offices, distributors and factory representatives. Other data available for consideration is:

- Latest Microchip Press Releases
- Technical Support Section with Frequently Asked Questions
- Design Tips
- Device Errata
- Job Postings
- Microchip Consultant Program Member Listing
- Links to other useful web sites related to Microchip Products
- Conferences for products, Development Systems, technical information and more
- Listing of seminars and events

Systems Information and Upgrade Hot Line

The Systems Information and Upgrade Line provides system users a listing of the latest versions of all of Microchip's development systems software products. Plus, this line provides information on how customers can receive any currently available upgrade kits. The Hot Line Numbers are:

1-800-755-2345 for U.S. and most of Canada, and

1-480-792-7302 for the rest of the world.

013001

PIC16F7X PRODUCT IDENTIFICATION SYSTEM

To order or obtain information, e.g., on pricing or delivery, refer to the factory or the listed sales office.

| <u>PART NO.</u> | <u>X</u> | <u>/XX</u> | <u>XXX</u> |
|-------------------|--|------------|------------|
| Device | Temperature Range | Package | Pattern |
| Device | PIC16F7X ⁽¹⁾ , PIC16F7XT ⁽¹⁾ ; V _{DD} range 4.0V to 5.5V PIC16LF7X ⁽¹⁾ , PIC16LF7XT ⁽¹⁾ ; V _{DD} range 2.0V to 5.5V | | |
| Temperature Range | I = -40°C to +85°C (Industrial) E = -40°C to +125°C (Extended) | | |
| Package | ML = MLF (Micro Lead Frame) PT = TQFP (Thin Quad Flatpack) SO = SOIC SP = Skinny Plastic DIP P = PDIP L = PLCC SS = SSOP | | |
| Pattern | QTP, SQTP, Code or Special Requirements (blank otherwise) | | |

Examples:

- a) PIC16F77-I/P 301 = Industrial temp., PDIP package, normal V_{DD} limits, QTP pattern #301.
- b) PIC16LF76-I/SO = Industrial temp., SOIC package, Extended V_{DD} limits.
- c) PIC16F74-E/P = Extended temp., PDIP package, normal V_{DD} limits.

Note 1: F = CMOS FLASH
LF = Low Power CMOS FLASH

2: T = in tape and reel - SOIC, PLCC, SSOP, TQFP packages only.

Sales and Support

Data Sheets

Products supported by a preliminary Data Sheet may have an errata sheet describing minor operational differences and recommended workarounds. To determine if an errata sheet exists for a particular device, please contact one of the following:

1. Your local Microchip sales office
2. The Microchip Corporate Literature Center U.S. FAX: (480) 792-7277
3. The Microchip Worldwide Site (www.microchip.com)

Please specify which device, revision of silicon and Data Sheet (include Literature #) you are using.

New Customer Notification System

Register on our web site (www.microchip.com/cn) to receive the most current information on our products.



WORLDWIDE SALES AND SERVICE

AMERICAS

Corporate Office

2355 West Chandler Blvd.
Chandler, AZ 85224-6199
Tel: 480-792-7200 Fax: 480-792-7277
Technical Support: 480-792-7627
Web Address: <http://www.microchip.com>

Rocky Mountain

2355 West Chandler Blvd.
Chandler, AZ 85224-6199
Tel: 480-692-7966 Fax: 480-792-7456

Atlanta

500 Sugar Mill Road, Suite 200B
Atlanta, GA 30350
Tel: 770-640-0034 Fax: 770-640-0307

Boston

2 Lan Drive, Suite 120
Westford, MA 01886
Tel: 978-692-3848 Fax: 978-692-3821

Chicago

333 Pierce Road, Suite 180
Itasca, IL 60143
Tel: 630-285-0071 Fax: 630-285-0075

Dallas

4570 Westgrove Drive, Suite 160
Addison, TX 75001
Tel: 972-818-7423 Fax: 972-818-2924

Detroit

Tri-Atria Office Building
32255 Northwestern Highway, Suite 190
Farmington Hills, MI 48334
Tel: 248-538-2250 Fax: 248-538-2260

Kokomo

2767 S. Albright Road
Kokomo, Indiana 46902
Tel: 765-864-8360 Fax: 765-864-8387

Los Angeles

18201 Von Karman, Suite 1090
Irvine, CA 92612
Tel: 949-263-1888 Fax: 949-263-1338

New York

150 Motor Parkway, Suite 202
Hauppauge, NY 11788
Tel: 631-273-5305 Fax: 631-273-5335

San Jose

Microchip Technology Inc.
2107 North First Street, Suite 590
San Jose, CA 95131
Tel: 408-436-7950 Fax: 408-436-7955

Toronto

6285 Northam Drive, Suite 108
Mississauga, Ontario L4V 1X5, Canada
Tel: 905-673-0699 Fax: 905-673-6509

ASIA/PACIFIC

Australia

Microchip Technology Australia Pty Ltd
Suite 22, 41 Rawson Street
Epping 2121, NSW
Australia
Tel: 61-2-9868-6733 Fax: 61-2-9868-6755

China - Beijing

Microchip Technology Consulting (Shanghai)
Co., Ltd., Beijing Liaison Office
Unit 915
Bei Hai Wan Tai Bldg.
No. 6 Chaoyangmen Beidajie
Beijing, 100027, No. China
Tel: 86-10-85282100 Fax: 86-10-85282104

China - Chengdu

Microchip Technology Consulting (Shanghai)
Co., Ltd., Chengdu Liaison Office
Rm. 2401, 24th Floor,
Ming Xing Financial Tower
No. 88 TIDU Street
Chengdu 610016, China
Tel: 86-28-6766200 Fax: 86-28-6766599

China - Fuzhou

Microchip Technology Consulting (Shanghai)
Co., Ltd., Fuzhou Liaison Office
Unit 28F, World Trade Plaza
No. 71 Wusi Road
Fuzhou 350001, China
Tel: 86-591-7503506 Fax: 86-591-7503521

China - Shanghai

Microchip Technology Consulting (Shanghai)
Co., Ltd.
Room 701, Bldg. B
Far East International Plaza
No. 317 Xian Xia Road
Shanghai, 200051
Tel: 86-21-6275-5700 Fax: 86-21-6275-5060

China - Shenzhen

Microchip Technology Consulting (Shanghai)
Co., Ltd., Shenzhen Liaison Office
Rm. 1315, 13/F, Shenzhen Kerry Centre,
Renminnan Lu
Shenzhen 518001, China
Tel: 86-755-2350361 Fax: 86-755-2366086

Hong Kong

Microchip Technology Hongkong Ltd.
Unit 901-6, Tower 2, Metroplaza
223 Hing Fong Road
Kwai Fong, N.T., Hong Kong
Tel: 852-2401-1200 Fax: 852-2401-3431

India

Microchip Technology Inc.
India Liaison Office
Divyasree Chambers
1 Floor, Wing A (A3/A4)
No. 11, O'Shaugnessey Road
Bangalore, 560 025, India
Tel: 91-80-2290061 Fax: 91-80-2290062

Japan

Microchip Technology Japan K.K.
Benex S-1 6F
3-18-20, Shinyokohama
Kohoku-Ku, Yokohama-shi
Kanagawa, 222-0033, Japan
Tel: 81-45-471- 6166 Fax: 81-45-471-6122

Korea

Microchip Technology Korea
168-1, Youngbo Bldg. 3 Floor
Samsung-Dong, Kangnam-Ku
Seoul, Korea 135-882
Tel: 82-2-554-7200 Fax: 82-2-558-5934

Singapore

Microchip Technology Singapore Pte Ltd.
200 Middle Road
#07-02 Prime Centre
Singapore, 188980
Tel: 65-334-8870 Fax: 65-334-8850

Taiwan

Microchip Technology Taiwan
11F-3, No. 207
Tung Hua North Road
Taipei, 105, Taiwan
Tel: 886-2-2717-7175 Fax: 886-2-2545-0139

EUROPE

Denmark

Microchip Technology Nordic ApS
Regus Business Centre
Lautrup høj 1-3
Ballerup DK-2750 Denmark
Tel: 45 4420 9895 Fax: 45 4420 9910

France

Microchip Technology SARL
Parc d'Activite du Moulin de Massy
43 Rue du Saule Trapu
Batiment A - 1er Etage
91300 Massy, France
Tel: 33-1-69-53-63-20 Fax: 33-1-69-30-90-79

Germany

Microchip Technology GmbH
Gustav-Heinemann Ring 125
D-81739 Munich, Germany
Tel: 49-89-627-144 0 Fax: 49-89-627-144-44

Italy

Microchip Technology SRL
Centro Direzionale Colleoni
Palazzo Taurus 1 V. Le Colleoni 1
20041 Agrate Brianza
Milan, Italy
Tel: 39-039-65791-1 Fax: 39-039-6899883

United Kingdom

Arizona Microchip Technology Ltd.
505 Eskdale Road
Winnersh Triangle
Wokingham
Berkshire, England RG41 5TU
Tel: 44 118 921 5869 Fax: 44-118 921-5820

01/18/02

Mouser Electronics

Authorized Distributor

Click to View Pricing, Inventory, Delivery & Lifecycle Information:

[Microchip:](#)

[PIC16F73T-I/SOG](#) [PIC16F74T-I/L](#) [PIC16LF77-I/PTG](#) [PIC16F73T-I/SO](#) [PIC16F73T-I/SS](#) [PIC16F74T-I/PT](#)
[PIC16F76T-I/SO](#) [PIC16F76T-I/SS](#) [PIC16F73T-I/ML](#) [PIC16F76T-I/ML](#) [PIC16F77T-I/PT](#) [PIC16LF73T-I/SO](#)
[PIC16LF73T-I/ML](#) [PIC16LF76T-I/SO](#) [PIC16LF73T-I/SS](#) [PIC16LF76T-I/SS](#) [PIC16F76T-I/SSG](#) [PIC16F77-I/L](#)
[PIC16F77-I/P](#) [PIC16F76-E/SP](#) [PIC16F76-E/SO](#) [PIC16F76-E/SS](#) [PIC16F73-E/SP](#) [PIC16F73-E/SS](#) [PIC16F73-E/SO](#)
[PIC16F77-E/PT](#) [PIC16F77-I/PT](#) [PIC16F73T-E/SO](#) [PIC16F73-I/SP](#) [PIC16F73-I/SO](#) [PIC16LF74-I/PT](#) [PIC16F76-I/SSG](#)
[PIC16LF76-I/ML](#) [PIC16LF76-I/SP](#) [PIC16LF76-I/SS](#) [PIC16LF76-I/SO](#) [PIC16F74-E/L](#) [PIC16F74-E/P](#) [PIC16F73-I/ML](#)
[PIC16F73-I/SS](#) [PIC16LF77-I/PT](#) [PIC16F76-I/ML](#) [PIC16F76-I/SP](#) [PIC16F77T-I/L](#) [PIC16F76-I/SS](#) [PIC16F76-I/SO](#)
[PIC16F77-E/L](#) [PIC16F77-E/P](#) [PIC16LF74-I/P](#) [PIC16F74-I/P](#) [PIC16F74-I/L](#) [PIC16LF74-I/L](#) [PIC16LF73-I/SP](#)
[PIC16LF73-I/SS](#) [PIC16LF73-I/SO](#) [PIC16LF74T-I/L](#) [PIC16F74-I/PT](#) [PIC16LF73-I/ML](#)